

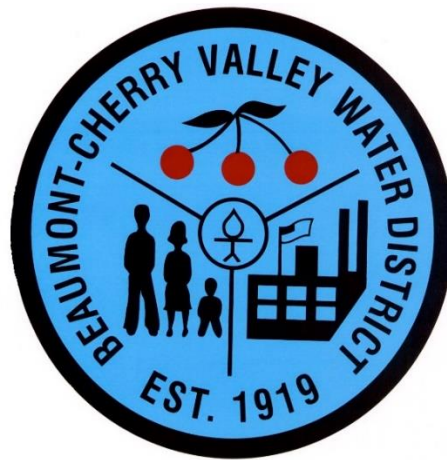
BEAUMONT-CHERRY VALLEY WATER DISTRICT

CONTRACT DOCUMENTS and SPECIFICATIONS

FOR

CONSTRUCTION OF 2017 WATER PIPELINE REPLACEMENT PROJECT

PIPELINE 2 – P-3620-0015



Beaumont-Cherry Valley Water District

Attn: **Mark Swanson**

560 Magnolia Avenue

Beaumont, CA 92223

mark.swanson@bcvwd.org

Signature:

Mark Swanson, Director of Engineering
Beaumont-Cherry Valley Water District

KEY DATES (Subject to change at discretion of District):

Issue Date:	November 25, 2022
Bid Opening Date:	December 19, 2022, 3:00 pm
District Project Manager:	Mark Swanson

BEAUMONT-CHERRY VALLEY WATER DISTRICT
2017 WATER PIPELINE REPLACEMENT PROJECT

PIPELINE 2 – P-3620-0015

CONTRACT DOCUMENTS

TABLE OF CONTENTS

	<u>PAGE</u>
<u>BIDDING AND CONTRACT DOCUMENTS</u>	
NOTICE INVITING BIDS.....	A-1
INSTRUCTIONS TO BIDDERS	B-1
BID FORM	C-1
BID BOND [NOT REQUIRED]	D-1
INFORMATION REQUIRED OF BIDDER	E-1
DRAFT CONTRACT FOR PUBLIC WORKS	F-1
PAYMENT BOND (LABOR AND MATERIALS)	G-1
FAITHFUL PERFORMANCE BOND	H-1
NOTICE OF AWARD.....	I-1
NOTICE TO PROCEED	J-1
PARTIAL PAYMENT FORM	K-1
CONTRACT CHANGE ORDER FORM.....	L-1
UNCONDITIONAL WAIVER AND RELEASE UPON FINAL PAYMENT	M-1
NOTICE OF COMPLETION.....	N-1
ESCROW AGREEMENT FOR SECURITY DEPOSITS IN LIEU OF RETENTION	O-1
WORKERS' COMPENSATION INSURANCE CERTIFICATE.....	P-1
CERTIFICATE OF CONTRACTOR.....	Q-1
CONDITIONAL WAIVER AND RELEASE UPON PROGRESS PAYMENT	R-1
CERTIFICATE OF INSURANCE FOR WORKERS' COMPENSATION	S-1
INSURANCE ENDORSEMENT FOR WORKERS' COMPENSATION.....	S-3
CERTIFICATE OF INSURANCE FOR LIABILITY INSURANCE	T-1
INSURANCE ENDORSEMENT FOR LIABILITY INSURANCE	T-5
CERTIFICATE OF INSURANCE FOR BUILDERS' RISK "ALL RISK" INSURANCE	U-1
INSURANCE ENDORSEMENT FOR BUILDERS' RISK "ALL RISK" INSURANCE.....	U-3
IRAN CONTRACTING ACT CERTIFICATION	V-1
PUBLIC WORKS CONTRACTOR REGISTRATION	W-1

APPENDICES

APPENDIX A – CONSTRUCTION PLANS:

2017 WATER PIPELINE REPLACEMENT PROJECT (PIPELINE 2 – P-3620-0015)

APPENDIX B – STANDARD DRAWINGS

BCVWD STANDARD DRAWINGS:

<u>Title</u>	<u>Plate No.</u>
Water Sewer Separation Requirements	Plate D4-1, D4-2, D4-3, D4-4
Standard Fire Hydrant	Plate 1
Gate Valve/Valve Can Installation	Plate 2
4-inch Blowoff Detail	Plate 3-1
2" Combination Air-Vac Assembly Detail	Plate 5-1
Trench Detail	Plate 6-1
Service Trench Detail	Plate 6-2
1" Service Line Detail	Plate 6-3
2" Service Line Detail	Plate 6-4
Flexible Coupling Tie Details	Plate 9
Thrust Block Details	Plate 11-1, 11-2
Meter Box Installation	Plate 12

APPENDIX C – PROJECT COST ESTIMATE SUMMARY

CONSTRUCTION COST ESTIMATE FOR THE 2017 WATER PIPELINE REPLACEMENT PROJECT (PIPELINE 2 – P-3620-0015)

GENERAL CONDITIONS

SPECIAL REQUIREMENTS

NOTICE INVITING BIDS

NOTICE INVITING BIDS Sealed bids will be received only at Beaumont-Cherry Valley Water District (Owner), 560 Magnolia Avenue, Beaumont, California, 92223 Telephone (951) 845-9581 until **3:00 p.m.** local time on **Monday, December 19, 2022**, for construction of the Work entitled:

2017 WATER PIPELINE REPLACEMENT PROJECT (PIPELINE 2 - P-3620-0015)

DESCRIPTION WORK: The Work includes the provision of all equipment, labor, and traffic control, disinfection, and testing to install District furnished pipeline materials and appurtenances necessary to complete the construction of the following, as specified and shown in the Construction Documents:

- **P-3620-0015:** Approximately 2,470 Linear Feet of 8" cement mortar lined Ductile Iron Pipe, plus various laterals, valves, connections, and appurtenances along Appletree Lane and Oak Glen Road.

Bids received after the Bid Deadline will be returned unopened. Bidders assume all risk of untimely delivery for bids mailed, or otherwise not personally delivered during normal District work hours. The notation by the District of time and date of bid receipt, shall be conclusive.

The site of work is located in the community of Cherry Valley, County of Riverside, California.

COMPLETION OF WORK. The work shall be performed by a single contractor under a single contract. All work must be completed within **ninety (90)** calendar days from Date of Award.

OBTAINING CONTRACT DOCUMENTS. A PDF copy of the complete bid package is available on the District Website at www.BCVWD.org. Alternatively, a copy of the complete bid package is available upon request from the District's Engineering Department. A charge of \$10.00 will be made for each hard copy of each bid package requested.

OPENING OF BIDS. Bids will be publicly opened and read aloud at the place and time stated above. Bidders are invited to be present. Bidders may examine the Contract Documents at Beaumont-Cherry Valley Water District, 560 Magnolia Ave., Beaumont, California, 92223.

PERIOD FOR AWARD. If Owner elects to award a contract for the Work, the award will be made within thirty (30) calendar days from the date of bid opening. No bidder may withdraw a proposal for this period. Bidders shall assume full responsibility to honor their bid price during this period.

WAGE RATES. The Director of the Department of Industrial Relations has ascertained the general prevailing rate of per diem wages and the general rate of holiday and over-time work in the locality in which the work is to be performed for each craft or type of workmen needed to execute the Contract or Work as hereinafter set forth (see Labor Code 1770 et.seq.). Copies of rates are on file at the office of the Owner, which copies shall be made available to any interested party on request. The successful Bidder shall post a copy of such determinations at each job site. Attention is called to the fact that not less than the minimum salaries and all Contractors and Subcontractors shall pay wages on this Project.

LICENSING REQUIREMENTS. Bidders shall be licensed in accordance with provisions of Chapter 9, Division 3, of the Business and Professional Code of the State of California on the date and time of submittal of the bid documents and shall maintain such license until final acceptance of the work.

Required classifications are: Class A, General Engineering and/or Class C-34, Pipeline Contractor. Bidders shall have verifiable experience in similar work. Bidders and their sub-contractors shall also be registered to perform public work pursuant to Section 4104 of the public contract code with the State of California, Department of Industrial Relations.

The District cannot award a public works contract to any contractor or subcontractor whose company appears on the ineligible contractor's list published by the Labor Commission, per Labor Code, Section 1777.1.

PROJECT ADMINISTRATION. All questions relative to this project prior to the opening of bids shall be directed to:

Mark Swanson
Beaumont-Cherry Valley Water District
560 Magnolia Avenue
Beaumont, CA 92223
Telephone: (951) 845-9581
Fax: (951) 845-0159

The Owner reserves the right to reject any or all Bids, to waive any informality or irregularity in any Bid and to make awards in the interest of the Owner, including award to other than the lowest bidder. The Owner reserves the right to have performed the entire Work defined by the Contract Documents or such parts of said Work as the Owner may elect, to combine various alternative bids and bid items within a Bid, and to accept or reject one or more separately scheduled bid items within a Bid. The Owner further reserves the right to withhold issuance of the Notice to Proceed, after execution of the Contract Agreement, for the period not to exceed fifteen (15) days after the date the Contract Agreement is executed. No additional payment will be made to the successful Bidder on account of such withholding.

NON-MANDATORY PRE-BID CONFERENCE. A **non-mandatory** pre-bid conference with representatives of prospective bidders will be held at the Beaumont-Cherry Valley Water District offices, 560 Magnolia Avenue, Beaumont, California at 2:00 pm. on December 6, 2022. Prospective bidders are invited to present any relevant questions at the pre-bid conference, but insofar as practicable, questions should be prepared in written form and sent to Beaumont-Cherry Valley Water District so as to arrive not later than December 8, 2022 at 2:00 pm. The District will allow formal Requests for Information to be submitted in written form until December 8, 2022 at 2:00 pm, and the District will formally respond to written RFIs by December 14, 2022 at 5:00 pm.

INSTRUCTIONS TO BIDDERS

GENERAL. Sealed bids will be received only at Beaumont-Cherry Valley Water District (Owner), 560 Magnolia Avenue, Beaumont, California, 92223, Telephone (951) 845-9581 for the construction of the Work entitled:

2017 WATER PIPELINE REPLACEMENT PROJECT (PIPELINE 2 - P-3620-0015)

FORM OF PROPOSAL. Each proposal shall be enclosed in a sealed envelope bearing the name of the bidder and name of the project. Bidders must comply with and agree to all instructions and requirements in the Notice Inviting Bids and the Instructions to Bidders, including post-bidding procedures.

DELIVERY OF PROPOSAL. The bid proposal shall be delivered by the time and to the place stipulated in the Notice Inviting Bids. It is the bidder's sole responsibility to see that his proposal is received in proper time. Any proposal received after the scheduled closing time for receipt of proposals will be returned to the bidder unopened.

WITHDRAWAL OF PROPOSAL. The proposal may be withdrawn by the bidder by means of a written request, signed by the bidder or his properly authorized representative. Such written request must be delivered to the place stipulated in the Notice Inviting Bids for receipt of proposals prior to the scheduled closing time for receipt of proposals.

OPENING OF PROPOSALS. The proposals will be publicly opened and read at the time and place stipulated in the Notice Inviting Bids.

MODIFICATIONS AND ALTERNATIVE PROPOSALS. Unauthorized conditions, limitations, or provisos attached to a proposal will render it informal and may cause its rejection. The completed proposal forms shall be without interlineations, alterations, or erasures. Alternative proposals will not be considered unless called for. Oral, telegraphic, or telephone proposals or modifications will not be considered.

DISCREPANCIES IN PROPOSALS. In the event there is more than one bid item in a bidding schedule, the bidder shall furnish a price for all bid items in the schedule, and failure to do so will render the proposal incomplete and may cause its rejection. In the event there are unit price bid items in a bidding schedule and the "amount" indicated for a unit price bid item does not equal the product of the unit price and quantity, the unit price shall govern and the amount will be corrected accordingly. In the event there is more than one bid item in a bidding schedule and the total indicated for the schedule does not agree with the sum of the prices bid on the individual items, the prices bid on the individual items shall govern and the total for the schedule will be corrected accordingly.

CHANGES IN CONTRACT DOCUMENTS. Changes to Contract Documents, Plans and Specifications will be made by written addendum only. Oral statements by the Owner or Engineer are not changes to the project and shall not be the basis for preparing a bid.

BIDDER'S EXAMINATION OF SITE. Before submitting a proposal, the bidder shall carefully examine the Plans, Specifications, and other Contract Documents, and he may visit the site of the work. It shall be the Contractor's responsibility to make all examinations, inspections, field studies and measurements necessary for his own determination of the character of conditions that will be encountered in the work and to fully determine all related cost factors. It will be assumed that the bidder is familiar with existing site conditions and that he has a clear understanding of the requirements of the contract regarding the furnishing of materials and performance of work.

Bidders will have the opportunity to examine the Project Site at the pre-bid conference on December 12, 2022, as discussed in the "Notice Inviting Bids." Bidders may also obtain assistance in inspecting the site by contacting Mark Swanson or Knute Dahlstrom by telephone at (951) 845-9581.

COMPETENCY OF BIDDERS. In selecting the lowest responsible bidder, consideration will be given not only to the financial standing but also to the general competency of the bidder for the performance of the work covered by the proposal. To this end, each proposal shall be supported by a statement of the bidder's experience as of recent date on the form entitled "INFORMATION REQUIRED OF BIDDER," found herein. No proposal for the work will be accepted from a Contractor who is not licensed in accordance with applicable state law at the date of Bid opening.

Each bidder shall submit with the bid a statement setting forth his experience and business standing. Along with this statement each bidder shall include: a list of three similar projects completed within the last 5 years showing total project costs, when constructed, and the names, telephone numbers, and addresses of the owners; and, a summary of the qualifications of the Contractor's proposed Project Manager that highlights this individual's experience and skills relevant to the needs of this project. The Contractor shall not assign to the project an individual to whom the Owner expresses a reasonable objection and shall remove from the project any individual the Owner rejects with or without specific cause.

DISQUALIFICATION OF BIDDERS. More than one proposal from an individual, firm, partnership, corporation, or association under the same or different names will not be considered. Reasonable grounds for believing that any bidder is interested in more than one proposal for the work contemplated will cause the rejection of all proposals in which such bidder is interested. If there is reason for believing that collusion exists among the bidders, all bids will be rejected and none of the participants in such collusion will be considered in future proposals.

"INFORMATION REQUIRED OF BIDDER," found herein, also will be a determining factor in arriving at an award. Any such award will be made within the period specified in the Notice Inviting Bids. Any such award will be for the total of the lump sum bid items, unit price bid items if any, with or without inclusion of any number of additive bid items or options contained in each separate bidding schedule at the Owner's discretion.

EXECUTION OF CONTRACT. The bidder to whom award is made shall execute a written contract with the Owner on the form of agreement provided, shall secure all insurance and shall furnish all certificates and bonds required by the Specifications within 10 working days after receipt of the contract and/or Notice of Award from the Owner. Failure or refusal to enter into a contract as herein provided or to conform to any of the stipulated requirements in connection therewith shall be just cause for annulment of the award and the forfeiture of the proposal guarantee. If the successful bidder refuses or fails to execute the contract, the Owner may award the contract to the second lowest responsible bidder. If the second lowest responsible bidder refuses or fails to execute the contract, the Owner may award the contract to the third lowest responsible bidder. On the failure or refusal of such second or third lowest bidder to execute the contract, such bidders' guarantees shall be likewise forfeited to the Owner.

PAYMENT RETENTION. Notice is hereby given, to the successful bidder who is awarded the contract, of a 10% retention on all partial payments which will be paid to the Contractor thirty-five (35) days after the Notice of Completion is recorded.

ADDENDA. Full consideration shall be given to all Addenda in the preparation of Bids, as Addenda form a part of the Contract Documents. Bidders shall verify the number of Addenda issued, if any, and acknowledge the receipt of all Addenda in the Bid. Failure to so acknowledge may cause the Bid to be

rejected. Addenda may modify previously issued Addenda. No Addendum will be issued after the second day preceding the date set for receipt of bids.

AWARD. Bids will be publicly opened and read aloud at BCVWD offices. Award of the Contract or the rejection of Bids will be made within thirty (30) calendar days from the date of bid opening.

- A. Award of a contract, if it be awarded, will be based primarily on the lowest overall cost to the Owner, and will be made to a responsible bidder whose proposal complies with all the requirements prescribed. Evaluation of the bidder's experience and additional information requested on the form "INFORMATION REQUIRED OF BIDDER," found herein, also will be a determining factor in arriving at an award. Any such award will be made within the period specified in the Notice Inviting Bids. Any such award will be for the total of the lump sum bid items, unit price bid items if any, with or without inclusion of any number of additive bid items or options contained in each separate bidding schedule at the Owner's discretion.
- B. By submitting a Bid, each Bidder agrees and consents that the Owner, in determining the successful Bidder and his eligibility for the award, may ascertain and consider the Bidder's experience and facilities, conduct and performance under other contracts, financial condition, reputation in the industry, and other factors which could affect the Bidder's performance of the Work.
- C. After all Contract contingencies are satisfied and the Notice of Award is issued, the successful Bidder shall execute the Contract Agreement within ten (10) days (not including Sundays and holidays) after the date of the Notice of Award. The contract time is hereby established as consecutive working days from the date of receipt of the Notice to Proceed. Bidder shall furnish Proof of Insurance as required herein, and the Contract Agreement shall be executed in the form provided by the Owner.
- D. If a Bidder receiving a Notice of Award fails or refuses to execute the Contract Agreement within the stated time limit or fails or refuses to furnish Proof of Insurance as required herein, the Owner may annul the award and issue an award to the next lowest responsive responsible Bidder or may reject all Bids.
- E. A corporation receiving the award shall furnish evidence of its corporate existence and evidence that the person signing the contract agreement for the corporation is duly authorized to do so.
- F. The Contractor shall start the work within ten (10) calendar days after the date of the Notice to Proceed.

BONDS AND INSURANCE. The successful Bidder shall furnish to the Owner evidence of insurance ensuring the payment of all obligations arising from the Work in accordance with the Contract Documents. Sureties, Insurance, and Bonds shall comply with the requirements in the General Conditions. Bonds and Insurance certificates shall be delivered to the Owner at the time and place the Contract Agreement is executed. Bonds shall conform exactly to the forms included in the Contract Forms and shall be acceptable to the owner and funding agencies.

SEPARATE BID PRICE FOR EXCAVATION SAFETY MEASURES. If it is necessary for the Contractor to perform an excavation of five (5) feet or more in depth to complete this project, then the requirements of Sections 6705 and 6707 of the California Labor Code apply to this Project. Accordingly, each Bidder shall state in the Bid the lump sum bid price for providing shoring, sheeting, bracing, and other

safety measures for all excavations five (5) feet or more in depth. Before any Work is commenced, the Contractor shall secure and pay for the excavation permit required by the California Division of Occupational Safety and Health, and shall furnish the Owner with a copy thereof prior to commencing any excavation. The Contractor shall conform to Labor Code Section 6705 by submitting a detailed plan showing the design of shoring, bracing, sloping, or other provisions to be made for worker protection from the hazard of caving ground during the excavation of such trench or trenches or during the pipe installation therein. This plan must be prepared for all trenches five (5) feet or more in depth and submitted to the Owner for record purposes only and not for review or approval prior to excavation. If the plan varies from the shoring system standards established by the Construction Safety orders, the plan shall be prepared by a registered civil or structural Engineer at the Contractor's expense.

The Contract Documents show subsurface conditions or otherwise hidden conditions as they are supposed or believed by the Engineer to exist; but it is not intended or to be inferred that the conditions as shown thereon constitute a representation that such conditions actually exist. Except as otherwise specifically provided in the Contract Documents, the Owner, the Engineer, and their consultants shall not be liable for any loss sustained by the Contractor as a result of any variance to such conditions as shown on the Contract Documents or the actual conditions revealed or otherwise discovered during the progress of the Work.

GEOTECHNICAL INVESTIGATION. Geotechnical investigations at the site of the Work has been performed. The report summarizing these findings can be reviewed at the District's office during normal working hours. The foregoing investigation describes the nature of the material at the locations specified and any conclusions drawn by Bidders therefrom concerning the general nature of soils shall be the Bidder's responsibility. The geotechnical investigations are provided for information only and no claims for extra work or damages will be considered if it is found during construction that the actual soil or material conditions vary from those indicated.

QUANTITIES. The amount of work to be done or materials to be furnished under the Contract, as shown in the Bid Documents, are estimates and are not to be taken as an expressed or an implied statement that the actual amount of the work or materials will correspond to the estimate. The District reserves the right to increase or decrease or to entirely eliminate items from the work or materials to be furnished if any such action is found to be desirable or expedient. Bidder is cautioned against the unbalancing of its bid by prorating its overhead only into one or two items when there are a number of items listed in a schedule.

BID FORM

NAME OF BIDDER: _____

The undersigned, hereby declare that we have carefully examined the location of the proposed Work, and have read and examined the Contract Documents, including all plans, specifications, and all addenda, if any, for the following Project:

**BEAUMONT-CHERRY VALLEY WATER DISTRICT
2017 WATER PIPELINE REPLACEMENT PROJECT**

PIPELINE 2 – P-3620-0015

We hereby propose to furnish all labor, materials, equipment, tools, transportation, and services, and to discharge all duties and obligations necessary and required to perform and complete the Project for the following BASE BID TOTAL BID PRICE:

BASE BID	BID PRICE (IN WRITTEN FORM)	BID PRICE (IN NUMBERS)
BID SCHEDULE I PIPELINE 2		
TOTAL BID PRICE (SCHEDULE I)		

In case of discrepancy between the written price and the numerical price, the written price shall prevail.

Name of Bidder _____

Signature _____

Name and Title _____

Dated _____

BID SCHEDULE I

2017 WATER PIPELINE REPLACEMENT PROJECT (PIPELINE 2 – P-3620-0015)

ITEM NO.	DESCRIPTION OF ITEMS	EST. QUANTITY	UNIT	UNIT PRICE (FIGURES)	TOTAL AMOUNT
101	Furnish project insurance, and project permits (not to exceed three percent (3%) of the Total Bid Price).	1	L.S.		
102	Mobilization / Demobilization including project sanitary facilities, and closeout and cleanup (not to exceed three percent (3%) of total bid price).	1	L.S.		
103	State required line item for California Code Sections 6705 and 6707, excavation safety measures.	1	L.S.		
104	Furnish and implement traffic control, in accordance with Contractor prepared traffic control plans including, furnishing all signs, delineators, arrow boards, and flagmen in accordance with said plans.	1	L.S.		
105	Furnish all labor and material required for asphalt and concrete removal and replacement at locations indicated on the Construction Plans.	6,788	S.F.		
106	Install District furnished 8" cement mortar lined potable ductile iron pipe, Class 350 to an average depth of 4.25 feet below existing roadway, including installation of restrained joints as shown on the Construction Plans, installation of Contractor furnished backfill material (or native material, if suitable) and compaction per BCVWD Standard Plate 6-1 (36" min cover).	2,470	L.F.		
107	Install all District furnished 8" pipeline appurtenances, including, but not limited to, fittings, valves, adapters, per Construction Plans (and disinfection of said materials), including export of native material, installation of Contractor furnished backfill material, compaction, and testing.	1	L.S.		

BID SCHEDULE I (Continued)

ITEM NO.	DESCRIPTION OF ITEMS	EST. QTY	UNIT	UNIT PRICE (FIGURES)	TOTAL AMOUNT
108	Install District furnished 1" copper service line, type K, service saddle, and meter box per BCVWD Plate 6-2, Plate 6-3, and Plate 12. Install threaded cap on angle stop. Do not install meter.	19	EA		
109	Install District furnished type Jones 3765 wet barrel fire hydrant assembly including valve and fittings per BCVWD Plate 1.	5	EA		
110	Install District furnished 2" air and vacuum assembly and appurtenances per BCVWD Plate 5-1.	2	EA		
111	Pressure test and hydrostatic leak test potable water pipelines per requirements set forth in the Special Requirements, District Specifications, and in accordance with AWWA Standards best practices.	1	L.S.		
112	Disinfect all potable water pipeline and appurtenances per requirements set forth in Special Requirements and per AWWA Standard Specifications.	1	L.S.		
113	Furnish and install concrete thrust block per BCVWD Plate 11-1 and 11-2 at locations indicated on the Construction Drawings.	2	EA		
114	Install District furnished bollard at locations indicated on Construction Plans per Detail 4 on Sheet 13.	14	EA		
115	Complete Pipeline 2 connection to existing waterline at Pipeline 2 Sta. 37+29.48 per Connection Detail 3 on Sheet 12.	1	L.S.		
116	Complete Pipeline 3 connection to existing waterline at Pipeline 2 Sta. 57+40.29 per Connection Detail 4 on Sheet 12.	1	L.S.		
117	Remove existing blow-off assembly at Sta. 37+29.48 per Sheet 8.	1	L.S.		
118	Remove existing blow-off assembly as shown on Sheet 9.	1	L.S.		
119	Remove existing fire hydrant assembly as shown on Sheet 10.	1	L.S.		
120	Demobilize and clean-up.	1	L.S.		
TOTAL BID SCHEDULE I PRICE (Bid Items 101 Through 120)					

In case of discrepancy between the unit price and the item cost set forth for a unit basis item, the unit price shall prevail and, shall be utilized as the basis for determining the lowest responsive, responsible bidder. However, if the amount set forth as a unit price is ambiguous, unintelligible, or uncertain for any cause, or is omitted, or is the same amount as the entry in the "Item Cost" column, then the amount set forth in the "Item Cost" column for the item shall prevail and shall be divided by the estimated quantity for the item and the price thus obtained shall be the unit price. Final payment shall be determined by the Engineer from measured quantities of work performed based upon the unit price.

In case of discrepancy between the written price and the numerical price, the written price shall prevail.

The undersigned agrees that this Bid Form constitutes a firm offer to the District for Bid Schedule I which cannot be withdrawn for the number of calendar days indicated in the Notice Inviting Bids from and after the bid opening, or until a Contract for the Work is fully executed by the District. The District reserves the right to award any and all combinations of Bid Schedule I and/or parts thereof.

The Contract duration shall commence on the date stated in the District's Notice to Proceed, and shall be completed by the Contractor in the time specified in the Contract Documents. In no case shall the Contractor commence construction prior to the date stated in the District's Notice to Proceed.

Bidder certifies that it is licensed in accordance with the law providing for the registration of Contractors, License No. _____, Expiration Date _____, class of license _____. If the bidder is a joint venture, each member of the joint venture must include the above information.

The undersigned acknowledges receipt, understanding and full consideration of the following addenda to the Contract Documents and information required of bidders.

1. Addenda No. _____ thru _____
2. Information Required of Bidders:
 - a. Executed General Information
 - b. Executed List of Sub Contractors
 - c. Executed Non-Collusion Affidavit form
 - d. Completed Iran Contracting Act Form

I hereby certify under penalty of perjury under the laws of the State of California, that all of the information submitted in connection with this Bid and all of the representations made herein are true and correct.

Name of Bidder _____

Signature _____

Name and Title _____

Dated _____

KNOW ALL MEN BY THESE PRESENTS, that we (Contractor), _____ as Bidder and Principal, and _____ as Surety, are held firmly bound unto the BEAUMONT-CHERRY VALLEY WATER DISTRICT, situated in Riverside County, California, hereinafter called the Owner, in the penal sum of _____ dollars, \$_____, for the payment of which sum, well and truly to be made, we bind ourselves, and our successors and assigns, jointly and severally, firmly by these presents.

The condition of this obligation is that whereas Bidder has submitted the accompanying bid dated _____, 20___, for 2017 WATER PIPELINE REPLACEMENT PROJECT (PIPELINE 2 – P-3620-0015) for Owner.

NOW THEREFORE, (1) if the Bidder shall not withdraw said bid within thirty days after the opening of the same, and (2) shall within ten days after the award of the contract furnish the required certificates of insurance and enter into a written contract with the Owner in accordance with the bid as accepted, and (3) if the Bidder shall give the required bonds with good and sufficient sureties for the faithful performance and proper fulfillment of said contract and for the protection of laborers and material men, or (4) in the event of the withdrawal of said bid within the periods specified, or the failure to enter into said contract, if the Bidder shall within thirty days after request by the Owner pay the Owner the difference between the amount specified in said bid and the amount for which the Owner may procure the required Work or supplies, if the latter amount be in excess of the former, then the above obligations shall be void and of no effect, otherwise they remain in full force and effect.

In the event suit is brought upon this bond by the Owner and judgment is recovered, the Surety shall pay all costs incurred by the Owner in such suit, including reasonable attorney's fee, to be fixed by the court.

For value received, the Surety hereby stipulates and agrees that the obligation of said Surety and its bond shall in no way be impaired or affected by any bid errors or by an extension of time within which the Owner may accept such bid, and said Surety hereby waives notice of any such extension.

IN WITNESS WHEREOF, Bidder and Surety have duly and fully executed this instrument this _____ day of _____, 20___.

PRINCIPAL:

SURETY:

Name _____

Name _____

By _____
(Authorized Representative, Written Signature)

By _____
(Authorized Representative, Written Signature)

(Authorized Representative, Typed or Printed Name)

(Authorized Representative, Typed or Printed Name)

Title _____
[Individual, Partner, Corporate Officer (Title)]

Title _____
[Individual, Partner, Corporate Officer (Title)]

Attest: (If Corporation)

Attest: (If Corporation)

By _____

By _____

Title _____

Title _____

(Corporate Seal)

(Corporate Seal)

NOTE: Both Principal and Surety signatures must be notarized. A copy of the power of attorney to local representatives of the bonding company must be attached hereto.

NOTARY FOR PRINCIPAL

NOTARY FOR SURETY

STATE OF _____)
COUNTY OF _____)

STATE OF _____)
COUNTY OF _____)

On _____, 20____, before me,
_____ a Notary Public,
personally appeared _____
() personally known to me or () proved to me on the basis
of satisfactory evidence to be the person(s) whose name(s)
is/are subscribed to the within instrument and acknowledged
to me that he/she/they executed the same in his/her/their
authorized capacity(ies), and that by his/her/their signature(s)
on the instrument the person(s), or the entity upon behalf of
which the person(s) acted, executed the instrument.
Witness my hand and official seal.

On _____, 20____, before me,
_____ a Notary Public,
personally appeared _____
() personally known to me or () proved to me on the basis
of satisfactory evidence to be the person(s) whose name(s)
is/are subscribed to the within instrument and acknowledged
to me that he/she/they executed the same in his/her/their
authorized capacity(ies), and that by his/her/their signature(s)
on the instrument the person(s), or the entity upon behalf of
which the person(s) acted, executed the instrument.
Witness my hand and official seal.

Signature of Notary

Signature of Notary

(Notary Seal)

(Notary Seal)

NOTE: If Notary elects to attach an acknowledgment form, Notary shall use the Notary Acknowledgment form attached at the end of this section (Bidding Documents), or, alternatively, Notary may use a California All-Purpose Acknowledgment form, provided Notary completes the entire form, both the required and optional portions.

IMPORTANT: Surety companies executing Bonds must possess a certificate of authority from the California Insurance Commissioner authorizing them to write Surety insurance defined in Section 105 of the California Insurance Code and, if the work or project is financed, in whole or in part, with federal grant or loan funds, said Surety companies must also appear on the Treasury Department's most current list (Circular 570 as amended).

Any claims under this bond may be addressed to:

Name and address of Surety _____

Name and address of agent or representative
for service of process in California, if different
from above _____

Telephone number of Surety and agent or representative
for service of process in California _____

INFORMATION REQUIRED OF BIDDER

2017 WATER PIPELINE REPLACEMENT PROJECT

PIPELINE 2 – P-3620-0015

GENERAL INFORMATION

The bidder shall furnish the following information. Additional sheets may be attached if necessary.

1. Contractor's Name and Address: _____

2. Type of Firm: Individual ___
(Check one) Partnership ___
Corporation ___

3. Telephone: _____

4. Contractor's license: Classification _____ No. _____

5. Names and titles of all owners/officers of the firm:

_____	_____
_____	_____
_____	_____
_____	_____

6. Number of years as a contractor in construction work of this type: _____

7. Answer the three (3) questions below and submit a brief description of the character of the work previously executed as required in the Instructions to Bidders as well as the locations of the major projects, giving the year in which it was done, the manner of its execution, name, telephone number, and address of owner, overall cost when constructed, and such other information as will tend to show ability to prosecute vigorously the work required by this Specification. Attach additional sheets if necessary.

1. Have you or any of your subcontractors been determined to have committed any serious or willful violations of Part 1 (commencing with Section 6300) of Division 5 of the Labor Code during the past five (5) years? _____ If yes, explain.

2. What are the most recent workers' compensation experience modification factors for your firm and each of the proposed subcontractors?

3. Have you and each of the proposed subcontractor(s) adopted injury prevention programs under Section 3201.4 or 6401.7 of the California Labor Code?

8. Person who inspected site of the proposed work for your firm:

Name: _____ Date of Inspection: _____

9. Proposed Project Manager

Name: _____

Qualifications: _____

10. NOTE: If required by the Owner, the bidder shall furnish a notarized financial statement, references, resume of superintendent, and other information sufficiently comprehensive to permit an appraisal of his current financial condition.

INFORMATION REQUIRED OF BIDDER

2017 WATER PIPELINE REPLACEMENT PROJECT

PIPELINE 2 – P-3620-0015

LIST OF SUBCONTRACTORS

The bidder shall list below the name and business address of each subcontractor who will perform work under this contract in excess of one-half percent of the total bid price and shall also list the portion of the work which will be done by such subcontractor. After opening proposals, no changes or substitutions will be allowed without the written approval of the Owner.

Aggregate total of all subcontractors shall not exceed fifty percent (50%) of the total contract price.

1. Subcontractor's Name & Address:

Work to be performed:

2. Subcontractor's Name & Address:

Work to be performed:

3. Subcontractor's Name & Address:

Work to be performed:

4. Subcontractor's Name & Address:

Work to be performed:

5. Subcontractor's Name & Address:

Work to be performed:

6. Subcontractor's Name & Address:

Work to be performed:

7. Subcontractor's Name & Address:

Work to be performed:

8. Subcontractor's Name & Address:

Work to be performed:

Note: Attach additional sheets if required.

INFORMATION REQUIRED OF BIDDER

2017 WATER PIPELINE REPLACEMENT PROJECT

PIPELINE 2 – P-3620-0015

NON-COLLUSION AFFIDAVIT

STATE OF CALIFORNIA

COUNTY OF _____



NON-COLLUSION AFFIDAVIT

_____, being first duly sworn, deposes and says that
(Name of Affiant)

he/she is _____ of _____
(Title) (Name of Bidder)

the party making the foregoing bid; that the bid is not made in the interest of, or on behalf of, any undisclosed person, partnership, company, association, organization, or corporation; that the bid is genuine and not collusive or sham; that the bidder has not directly or indirectly induced or solicited any other bidder to put in a false or sham bid, and has not directly or indirectly colluded, conspired, connived, or agreed with any bidder or anyone else to put in a sham bid, or that anyone shall refrain from bidding; that the bidder has not in any manner, directly or indirectly, sought by agreement, communication, or conference with anyone to fix the bid price of the bidder or any other bidder, or to fix any overhead, profit or cost element of the bid price, or of that of any other bidder, or to secure any advantage against the public body awarding the contract of anyone interested in the proposed contract; that all statements contained in the bid are true; and, further, that the bidder has not directly or indirectly, submitted his or her bid price or any breakdown thereof, or the contents thereof, or divulged information or data relative thereto, or paid, and will not pay, any fee to any corporation, partnership, company association, organization, bid depository, or to any member or agent thereof to effectuate a collusive or sham bid.

(Signature)

(Typed Name)

State of _____ }
County of _____ } ss.

Subscribed and sworn to (or affirmed) before me on this _____ day of _____, 20____, by _____, proved to me on the basis of satisfactory evidence to be the person/persons who appeared before me.

(SEAL)

Notary Public

Commission Expires: _____

BEAUMONT-CHERRY VALLEY WATER DISTRICT

CONTRACT FOR PUBLIC WORKS

1. Parties and Date

This Contract is entered into this ____ day of _____, 2022, between the BEAUMONT-CHERRY VALLEY WATER DISTRICT, a California Irrigation (Special) District ("District"), and _____ ("Contractor"), for the Work described as follows: 2017 Water Pipeline Replacement Project (Pipeline 2 – P-3620-0015).

2. Consideration

In consideration of the mutual covenants hereinafter contained, District and Contractor agree to comply with the terms of this Contract and to faithfully perform their duties hereunder.

3. Duties of Contractor

3.1 Contractor agrees to furnish all labor, tools, and equipment necessary to complete the work hereinafter described. Contractor hereby guarantees that all work to be performed by it hereunder will be performed in a good and workmanlike manner. The Work to be performed by Contractor is described on the Construction Drawings and Specifications included herein attached hereto and by this reference incorporated herein. Pursuant to Public Contract Code Section 3300, Contractor shall possess an active and current Contractor's License, Class A or C-34, which shall be maintained throughout the term of this Contract.

3.2 Contractor shall complete all work required herein on or before **March 3, 2022**.

3.3 Contractor shall furnish District with labor ~~and material~~ releases from all subcontractors performing work on, ~~or furnishing materials for~~, the job prior to final payment by District.

3.4 **(Section 3.4)** Contractor shall furnish a performance bond in the amount of the full contract price, ~~a payment bond in the amount of 50% of the full contract price~~, and a maintenance bond in the amount of the full contract price issued in forms consistent with industry standards by United States Treasury authorized bonding companies as approved by District, prior to commencement of the Work. Bonds shall be furnished on the forms attached at the back of this Contract ~~if Additive Bid Item is exercised~~. Contractor hereby guarantees that all materials and workmanship furnished by him under the Contract will meet fully all requirements thereof as to quality or workmanship and of materials furnished by him. Contractor hereby agrees to replace all materials and pay for all installation costs made necessary by defects in materials or workmanship supplied by him that become evident within twelve (12) months after the date of final payment and to pay for all

work necessary to remove, restore, and replace the materials to full serviceability and to full compliance with the requirements of the Contract, including the test requirements for any part of the select materials furnished hereunder which, during said twelve (12) month period, are found to be deficient with respect to any provision of the Contract. Contractor also agrees and does hereby hold District harmless from claims of any kind which may arise from injury or damage due to said defects. Contractor shall replace all defective materials promptly upon receipt of written orders for same from District. If Contractor fails to replace all defective materials promptly, District may secure the service of others to do this work, and Contractor and his surety shall be liable to District for the cost, including removal and replacement thereof. The guarantees, indemnifications and agreements set forth above shall continue to be secured following completion of the project by Contractor providing a maintenance bond in the amount of 100% of the full contract price on a form commonly used in the industry and acceptable to the District, and for this purpose said bond shall remain in force for a period of one (1) year after the date of the final payment.

3.5 Copies of the prevailing rate of per diem wages for each craft, classification or type of worker needed to execute this Contract are available to interested parties upon request. If the total amount of this Contract is \$1,000 or more, Contractor agrees to pay such prevailing rates to each workman needed to execute the work required under this Contract and further agrees to comply with the penalty provisions of Section 1775 of the Labor Code in the event of its failure to pay prevailing rates. Pursuant to Section 1727 of the Labor Code, all wages and penalties withheld for failure of Contractor to pay such per diem wages shall be transferred by District to the State Labor Commissioner for disbursement, should Contractor fail to bring suit for recovery within ninety (90) days after completion of the Contract or acceptance of the work.

3.6 Contractor shall pay travel subsistence payments to each workman needed to execute the work, as such travel and subsistence payments are defined in the applicable collective bargaining agreements filed in accordance with Section 1773.8 of the Labor Code.

3.7 When Contractor employs workmen in an apprenticeable craft or trade, Contractor shall comply with the provisions of Section 1777.5 of the Labor Code with respect to the employment of properly registered apprentices upon public works. The primary responsibility for compliance with said section for all apprenticeable occupations shall be with Contractor.

3.8 Contractor is advised that eight (8) hours labor constitutes a legal day's work. Pursuant to Section 1813 of the Labor Code, Contractor shall forfeit a penalty of \$25.00 per worker for each day that each worker is permitted to work more than eight (8) hours in any one calendar day and forty (40) hours in any one calendar week, except when payment for overtime is made at not less than one and one-half (1-1/2) times the basic rate for that worker.

3.9 In accordance with the requirements of Labor Code Section 1776, Contractor shall keep accurate payroll records on forms provided by the Division of Labor Standards Enforcement,

or keep payroll records containing the same information required by such forms, and shall make any such records available for inspection.

3.10 Contractor shall keep himself fully informed of all laws and regulations in any manner affecting the performance of the Contract work, and shall indemnify District and District's agents against any liability arising from violation of any such law or regulation.

3.11 Contractor shall at its own expense maintain at least the following insurance coverages throughout the performance of this Contract:

(a) Worker's compensation insurance coverages for all persons employed or to be employed in the performance of this Contract, which insurance shall at all times be maintained in strict accordance with the requirements of the current California Worker's Compensation Insurance Laws.

(b) General commercial liability insurance coverage of at least \$2,000,000 per occurrence and \$2,000,000 general aggregate insuring Contractor and naming District as an additional insured for all claims for bodily injury, personal injury and property damage, arising out of or in connection with any operations under this Contract.

(c) Automobile liability insurance coverage with a limit of liability of \$1,000,000 per accident Combined Single Limit.

(d) Course of construction insurance with a limit of liability equal to the full contract amount, unless waived in writing by District.

Prior to commencement of any work under this Contract, Contractor shall obtain and furnish to District a Certificate of Insurance as to each type of insurance required, which certificate shall be on the form provided to Contractor by District.

3.12 Contractor shall be responsible for all loss and damage which may arise out of the nature of the work agreed to herein, or from the action of the elements, or from any unforeseen difficulties which may arise or be encountered in the prosecution of the work until same is fully completed and accepted by District. However, Contractor shall be responsible for damage proximately caused by an act of God within the meaning of Section 4150 of the Government Code only to the extent of five percent (5%) of the contract amount.

3.13 Contractor shall indemnify and hold harmless District, its agents and employees, from and against all claims, damages, losses and expenses, including attorney's fees, arising out of or resulting from performance of work under this Contract and which are attributable to bodily injury, sickness, disease or death, or to injury to or destruction of tangible property, including the loss of use resulting therefrom, caused in whole or in part by any negligent or willful act or omission of the Contractor or anyone directly or indirectly employed by him or for whose acts he may be liable.

3.14 Contractor shall be responsible for securing and paying for all permits and licenses necessary to perform the work described herein.

3.15 If the work entails trenching of five (5) feet or more in depth, Contractor shall make adequate provisions for shoring, bracing, sloping, or other protection from the hazard of caving ground.

3.16 As required by Public Contract Code Section 7104, Contractor shall promptly, and prior to disturbance of conditions, notify District of (a) any material discovered in excavation that Contractor believes to be a hazardous waste that is required to be removed to a Class I, Class II, or Class III disposal site; (b) subsurface or latent physical conditions at the site differing from those indicated by District; and (c) unknown physical conditions of an unusual nature at the site, significantly different from those ordinarily encountered in such contract work. Upon notification, District will promptly investigate the conditions to determine whether a change order is appropriate. In the event of a dispute, Contractor shall not be excused from any scheduled completion date but will retain all rights provided by the Contract or by law for resolving the dispute.

4. **District's Responsibilities**

4.1 As consideration for performance of the work required herein, District agrees to pay Contractor the total contract amount of [REDACTED], (\$ [REDACTED]), provided that such amount shall be subject to adjustment pursuant to written change orders signed in advance by District.

4.2 Contractor shall submit progress payment invoices to District at the end of each calendar month during the term of the Contract. All progress payment invoices shall be subject to approval by the District prior to payment by the District. Such progress payment invoices shall be made in accordance with Section 20104.50 of the California Public Contract Code, requiring District to make a determination of suitability of the payment request within seven (7) days of receipt of such request and further requiring District to make payment on properly submitted progress payment invoices within thirty (30) days in order to avoid interest payments to the Contractor upon such amounts.

4.3 When the Contractor determines that he has completed the work required herein, Contractor shall so notify District in writing and shall furnish all labor and material releases required by Section 3.3 of this Contract. District shall thereupon inspect the work and, if acceptable, shall pay to Contractor the contract price, less any amount which District may be authorized or directed by law to retain. Payment of retention proceeds due to Contractor shall be made no later than sixty (60) calendar days after such final acceptance by District, in accordance with Section 7107 of the California Public Contract Code. Contractor is hereby alerted to provisions of Section 7107 of the California Public Contract Code, requiring Contractor to pay each of its subcontractors from whom retention has been withheld, each subcontractor's share of the retention received, within ten (10) calendar days from the time that all or any portion of such retention proceeds are received by Contractor from District. District will allow Contractor to substitute qualified securities, deposited with District or a qualified escrow agent, in lieu of contract retentions in accordance with provisions of California Public Contract Code, Section 22300. The escrow agreement used in such instance shall be substantially similar to that
Draft Contract for Public Works

form set out in Section 22300 of the Public Contract Code. District will provide this form to the Contractor upon request.

4.4 To the extent required by Section 4215 of the Government Code, District shall compensate Contractor for the costs of locating and repairing damage to underground utility facilities not due to the failure of Contractor to exercise reasonable care, and removing or relocating underground utility facilities not indicated in the construction drawings and for equipment necessarily idled during such work. Contractor shall not be assessed liquidated damages for delay caused by failure of District to provide for removal or relocation of such utility facilities.

5. Contractual Relationship

It is expressly agreed that Contractor is an independent contractor, and neither Contractor nor any of its employees shall be deemed employees of District. Contractor shall have full supervision over all workers on the job, including equipment, drivers, and operators, and neither District nor any of District's agents shall be held responsible for any action of Contractor under this Contract. Should any question arise regarding the meaning or import of any of the provisions of this Contract or written or oral instructions from District, the matter shall be referred to District's General Manager, whose decision shall be binding upon Contractor.

6. Assignment Forbidden

Contractor shall not assign or transfer this Contract or any right, title or interest herein without the prior written consent of District. If contractor attempts an assignment of this Contract or any right or interest herein, District may, at its option, terminate and revoke the Contract and shall thereupon be relieved from any and all obligations to Contractor or his assignee or transferee.

7. Time of Essence

Time is of the essence in the performance of this Contract. Contractor will be assessed liquidated damages in the amount of \$500.00 per calendar day for each day of unauthorized delay in completing performance.

8. Termination

This Contract may be terminated by District at any time by giving Contractor seven (7) days advance written notice. In the event of termination by District for any reason other than the fault of the Contractor, District shall pay Contractor for all work performed up to that time as provided herein. In the event of breach of the Contract by Contractor, District may terminate the Contract immediately without notice, may reduce payment to the Contractor in the amount necessary to offset District's resulting damages, and may pursue any other available recourse against Contractor.

9. **Dispute Resolution**

Any separate demand by Contractor for the payment of money or damages shall be resolved in accordance with Public Contract Code Sections 20104 et seq., if they apply. Copies of those sections are available upon request and by this reference are incorporated herein.

10. **Attorney's Fees and Costs**

If any action is necessary to enforce or interpret the terms of this Contract, the prevailing party shall be entitled to recover from the losing party attorney's fees in an amount determined to be reasonable by the court, together with costs and necessary disbursements.

11. **Notices**

Any notice required to be given under the terms of this Contract shall be sufficient and complete upon depositing the same in the United States mail, with postage prepaid and addressed as follows:

DISTRICT
Beaumont-Cherry Valley Water
District
P.O. Box 2037
560 Magnolia Avenue
Beaumont, CA 9223

Contractor

12. **Counterparts**

This Contract shall be executed in two (2) counterparts, each of which shall constitute an original.

13. **Certification of License**

Contractor certifies that as of the date of execution of this contract, Contractor has a current contractor's license of the classification indicated below Contractor's signature hereto.

IN WITNESS WHEREOF, each of the parties has caused this Contract to be executed on the day and year first above written.

ATTEST:

(Contractor)

By: _____

Title: _____

Contractor's License Number & Classification

Secretary

BEAUMONT-CHERRY VALLEY
WATER DISTRICT

ATTEST:

By: _____

Daniel K. Jagers
General Manager

David Hoffman
Secretary to the Board

CERTIFICATION

LABOR CODE – SECTION 1861

I, the undersigned Contractor, am aware of the provisions of Section 3700 et seq. of the Labor Code which requires every employer to be insured against liability for Worker's Compensation or to undertake self-insurance in accordance with the provisions of the Code, and I, the undersigned Contractor, agree to and will comply with such provisions before commencing the performance of the work of this Contract.

Contractor

By: _____

Title: _____

BEAUMONT-CHERRY VALLEY WATER DISTRICT

2017 WATER PIPELINE REPLACEMENT PROJECT

PIPELINE 2 – P-3620-0015

DRAFT CONTRACT FOR PUBLIC WORKS

(CONTRACTOR WILL BE REQUIRED TO EXECUTE CONTRACT)

LABOR AND MATERIAL BOND

KNOW ALL MEN AND WOMEN BY THESE PRESENTS,

That _____ as Contractor,

and _____ as Surety,

are held and firmly bound unto Beaumont-Cherry Valley Water District

hereinafter called Owner, in the sum of _____ dollars, the payment of which sum well and truly to be made, we bind ourselves, our heirs, executors, administrators, successors, and assigns, jointly and severally, firmly by these presents.

WHEREAS, said Contractor has been awarded and is about to enter into the annexed contract with said Owner to perform all work required under the Bidding Schedule(s):

2017 WATER PIPELINE REPLACEMENT PROJECT – PIPELINE 2 – P-3620-0015

of the Owner's Specifications entitled: Contract Documents and Specifications for
2017 WATER PIPELINE REPLACEMENT PROJECT – PIPELINE 2 – P-3620-0015

NOW THEREFORE, if said Contractor, or subcontractor, fails to pay for any ~~materials~~, equipment, or other supplies, or for rental of same, used in connection with the performance of work contracted to be done, or for amounts due for any work or labor thereon, or for amounts due under the Unemployment Insurance Code with respect to such work or labor, or for any amounts required to be deducted, withheld, and paid over to the Employment Development Department from the wages of employees of said contractor and his subcontractors, pursuant to Section 3020 of the Unemployment Insurance Code with respect to such work and labor as required by the provisions of Section 3247 through 3252 of the Civil Code, said Surety will pay for the same in an amount not exceeding the sum specified above, and, in the event suit is brought upon this bond, a reasonable attorney's fee to be fixed by the court. This bond shall inure to the benefit of any persons, companies, or corporations entitled to file claims under applicable State Law.

PROVIDED, that any alterations in the work to be done or the materials to be furnished, or changes in the time of completion, which may be made pursuant to the terms of said contract, shall not in any way release either said Contractor or said Surety thereunder, nor shall any extensions of time granted under the provisions of said contract release either said Contractor or Said Surety, and notice of such alterations or extensions of the contract is hereby waived by said Surety.

SIGNED AND SEALED, this _____ day of _____, 20____.

_____(Contractor) _____(SEAL) _____(Surety) _____(SEAL)

By: _____
(Signature)

By: _____
(Signature)

(SEAL AND NOTARIAL ACKNOWLEDGMENT OF SURETY)

FAITHFUL PERFORMANCE BOND

KNOW ALL PERSONS BY THESE PRESENTS that:

WHEREAS the Beaumont-Cherry Valley Water District ("District"), has awarded to _____

("Principal") _____ (Name
and address of Contractor)

a contract (the "Contract") for the Work described as follows:

2017 WATER PIPELINE REPLACEMENT PROJECT (PIPELINE 2 – P-3620-0015)
(Project name)

WHEREAS, Principal is required under the terms of the Contract to furnish a Bond for the faithful performance of the Contract.

NOW, THEREFORE, we, the undersigned Principal, and _____

(Name and address of Surety)

("Surety") a duly admitted surety insurer under the laws of the State of California, as Surety, are held and firmly bound unto the District in the penal sum of _____

Dollars (\$ _____), this amount being not less than the total Contract Price, in lawful money of the United States of America, for the payment of which sum well and truly to be made, we bind ourselves, our heirs, successors executors and administrators, jointly and severally, firmly by these presents.

THE CONDITION OF THIS OBLIGATION IS SUCH THAT, if the hereby bounded Principal, his, her or its heirs, executors, administrators, successors or assigns, shall in all things stand to and abide by, and well and truly keep and perform the covenants, conditions and provisions in the Contract and any alteration thereof made as therein provided, on the Principal's part, to be kept and performed at the time and in the manner therein specified, and in all respects according to their true intent and meaning, and shall indemnify and save harmless the District, its officers, agents and employees, as therein stipulated, then this obligation shall become null and void; otherwise, it shall be and remain in full force and effect.

As a part of the obligation secured hereby and in addition to the face amount specified therefor, there shall be included costs and reasonable expenses and fees, including reasonable attorneys' fees, incurred by District in successfully enforcing such obligation, all to be taxed as costs and included in any judgment rendered. Surety hereby waives any statute of limitations as it applies to an action on this Bond.

The Surety hereby stipulates and agrees that no change, extension of time, alteration or addition to the terms of the Contract or of the Work to be performed thereunder or the specifications accompanying the same shall in anywise affect its obligations under this Bond, and it does hereby waive notice of any such change, extension of time, alteration or addition to the terms of the Contract or to the Work or to the specifications. Surety hereby waives the provisions of California Civil Code Sections 2845 and 2849. The District is the principal beneficiary of this Bond and has all rights of a party hereto.

IN WITNESS WHEREOF, two (2) identical counterparts of this instrument, each of which shall for all purposes be deemed an original hereof, have been duly executed by Principal and Surety, on the date set forth below, the name of each corporate party being hereto affixed and these presents duly signed by its undersigned representative(s) pursuant to authority of its governing body.

Dated: _____

“Principal”

“Surety”

By: _____
Its

By: _____
Its

By: _____
Its

By: _____
Its

(Seal)

(Seal)

*Note: This Bond must be executed in duplicate and dated, all signatures must be notarized, and evidence of the authority of any person signing as attorney-in-fact must be attached. **DATE OF BOND MUST NOT BE BEFORE DATE OF CONTRACT.** Surety companies executing Bonds must appear on the Treasury Department’s most current list (Circular 570 as amended) and be authorized to transact business in the State where the project is located.*

NOTICE OF AWARD

TO:

- _____

- _____

- _____

OWNER: _____ Beaumont-Cherry Valley Water District _____

PROJECT TITLE: 2017 WATER PIPELINE REPLACEMENT PROJECT (PIPELINE 2 – P-3620-0015)

The Owner has considered the bid submitted by you dated _____, 20__ for the above-described work in response to its Notice Inviting Bids and in accordance with the BIDDING PROVISIONS.

You are hereby notified that your bid has been accepted in the total base amount of \$_____ including the following schedules and bid items: **[MUST MATCH NIB AND INST. TO BIDDERS]**

Bidding Schedule I for the 2017 WATER PIPELINE REPLACEMENT PROJECT (PIPELINE 2 – P-3620-0015)

Pursuant to the Notice Inviting Bids, you are required to execute the Agreement and furnish the required bonds and certification of Insurance with endorsements within ten (10) work days from the date of this Notice to you.

If you fail to execute said Agreement and furnish said bonds and certification of Insurance and endorsements within ten (10) days from the date of this Notice, Owner will be entitled to consider all of your rights arising out of Owner's acceptance of your bid to be abandoned and your Proposal Guarantee to be forfeited. Owner will be entitled to such other rights as may be granted by law.

A Pre-Construction Conference is proposed at _____ office on _____, 20__, at _____.

PLEASE CONFIRM THIS DATE AND TIME.

You are required to return an acknowledged copy of this Notice of Award to Owner.

Dated this _____ day of _____, 20__.

By: _____

Title: _____

ACCEPTANCE OF NOTICE

Receipt of the foregoing Notice of Award is hereby acknowledged.

By Contractor: _____

this _____ day of _____ 20____.

By: _____

Title: _____

NOTICE TO PROCEED

TO: _____ DATE: _____

PROJECT: Beaumont-Cherry Valley Water District
2017 WATER PIPELINE
REPLACEMENT PROJECT
(PIPELINE 2 - P-3620-0015)

You are hereby notified to commence Work in accordance with the Agreement dated _____, 20____, and you shall achieve Final Completion of the Work no later than 30 calendar days from the District's Notice of Award date of _____. The date of completion of all Work is therefore _____, or sooner.

The Contract provides for an assessment of the sum of \$500 per day as liquidated damages for each consecutive calendar day after the above-established Contract completion date that the Work remains incomplete.

Beaumont-Cherry Valley Water District
Owner

Daniel Jagers
By

General Manager
Title

ACCEPTANCE OF NOTICE

Receipt of the above Notice to Proceed is hereby acknowledged by _____, this the ____ day of _____, 20____.

By: _____

Title: _____

Project # _____

Beaumont-Cherry Valley Water District
560 Magnolia Avenue
Beaumont, CA 92223
(951) 845-9581

PARTIAL PAYMENT ESTIMATE # _____

Name of Contractor: _____

Name of Owner:

Beaumont-Cherry Valley Water District

Date of Completion:

Original _____
Revised _____

Amount of Contract:

Original _____
Revised _____

Dates of Estimate:

From _____
To _____

Description of Job:

2017 WATER PIPELINE REPLACEMENT
PROJECT (PIPELINE 2 - P-3620-0015)

Item #	Contract Items				This Period		Total to Date	
	Description	Quantity	Unit Price	Total	Quantity	Amount	Quantity	Amount

Amount	This Period	Total To Date
Amount Earned		
Amount Retained		
Previous Payments		
Amount Due		

Estimated Percentage of Job Completed _____

Is Contractor's Construction Progress on Schedule? _____ [] Yes [] No

I hereby certify that I have carefully inspected the work and as a result of my inspection and to the best of my knowledge and belief, the quantities shown in this estimate are correct and have not been shown in previous estimates and the work has been performed in accordance with the contract documents.

DATE: _____

Name of Contractor

BY: _____

Title

BEAUMONT-CHERRY VALLEY WATER DISTRICT

BY: _____
Engineer

BY: _____
Inspector

C.O. NO. _____

PAGE 1 OF 2

CONTRACT CHANGE ORDER NO. _____

CONTRACT for the 2017 WATER PIPELINE REPLACEMENT PROJECT (PIPELINE 2 – P-3620-0015)
DATED _____
BY AND BETWEEN Beaumont-Cherry Valley Water District (OWNER),
AND _____ (CONTRACTOR),
is hereby directed to make the following change(s) in Contract Work:

ITEM NO.	DESCRIPTION OF CHANGE	DECREASE \$	INCREASE \$

Total DECREASE in Contract Amount _____

Total INCREASE in Contract Amount _____

Net change in Contract Amount _____

Contract Amount Prior to Change _____

Contract Amount Adjusted for Change _____

CONTRACT CHANGE ORDER NO. _____

PAGE 2 OF 2

By reason of Change Order No. _____, time of completion shall be adjusted as follows:

_____ Working Days. Adjusted Contract Completion Date shall be _____.

All provisions of the Contract shall apply hereto, and shall become effective when fully executed (signed and dated) by both parties.

Recommended by (Engineer) _____ Date: _____

Accepted by (Contractor) _____ Date: _____

Approved by (Owner) _____ Date: _____

Remarks _____

UNCONDITIONAL WAIVER AND RELEASE UPON FINAL PAYMENT

TO: Beaumont-Cherry Valley Water District
(District)

Work Order No. _____

Contract Dated _____, 20 ____

NOTICE TO CLAIMANT: THIS DOCUMENT WAIVES AND RELEASES LIEN, STOP PAYMENT NOTICE, AND PAYMENT BOND RIGHTS UNCONDITIONALLY AND STATES THAT YOU HAVE BEEN PAID FOR GIVING UP THOSE RIGHTS. THIS DOCUMENT IS ENFORCEABLE AGAINST YOU IF YOU SIGN IT, EVEN IF YOU HAVE NOT BEEN PAID. IF YOU HAVE NOT BEEN PAID, USE A CONDITIONAL WAIVER AND RELEASE FORM.

Identifying Information:

Name of Claimant:

Name of Customer:

Job Location:

Owner:

Unconditional Waiver and Release

This document waives and releases lien, stop payment notice, and payment bond rights the claimant has for all labor and service provided, and equipment and material delivered, to the customer on this job. Rights based upon labor or service provided, or equipment or material delivered, pursuant to a written change order that has been fully executed by the parties prior to the date that this document is signed by the claimant, are waived and released by this document, unless listed as an Exception below. The claimant has been paid in full.

Exceptions:

This document does not affect the following:

Disputed claims for extras in the amount of: \$

Signature:

Claimant's Signature:

Claimant's Title:

Date of Signature:

A notary public or other officer completing this certificate verifies only the identity of the individual who signed the document to which this certificate is attached, and not the truthfulness, accuracy, or validity of that document.

State of California)
County of Riverside)

On _____, before me, _____,
(insert name and title of the officer)

Notary Public, personally appeared _____, who proved to me on the basis of satisfactory evidence to be the person(s) whose name(s) is/are subscribed to the within instrument and acknowledged to me that he/she/they executed the same in his/her/their authorized capacity(ies), and that by his/her/their signature(s) on the instrument the person(s), or the entity upon behalf of which the person(s) acted, executed the instrument.

I certify under PENALTY OF PERJURY under the laws of the State of California that the foregoing paragraph is true and correct.

WITNESS my hand and official seal.

Signature _____

(Seal)

NOTICE OF COMPLETION

To: Riverside County Assessor-County Clerk-Recorder Date: _____, 20____
2720 Gateway Drive
Riverside, California 92507 Work Order No.: _____

Owner: Beaumont-Cherry Valley Water District Date of Completion: _____
560 Magnolia Avenue
Beaumont, California 92223

OWNER'S ESTATE OF INTEREST:

Easement _____ Fee Title _____ Encroachment Permit _____

Other (describe) _____

CONTRACTOR:

Name: _____

Address: _____

TITLE OF PROJECT: _____

DESCRIPTION OF PROJECT: 2017 WATER PIPELINE REPLACEMENT PROJECT (PIPELINE 2 – P-3620-0015)

DESCRIPTION OF SITE (LOCATION): _____

ASSESSOR'S PARCEL NUMBER: _____

Final payment will be made to the above contractor no sooner than thirty-five (35) days from the recording date of this Notice of Completion, except where otherwise provided for by law.

I certify under penalty of perjury, under the laws of the State of California, that the foregoing is true and correct.

Executed on _____, 20__ at _____, California.

BEAUMONT-CHERRY VALLEY WATER DISTRICT

By: _____

Printed Name: _____

Title: _____

ESCROW AGREEMENT FOR SECURITY DEPOSITS IN LIEU OF RETENTION

**2017 WATER PIPELINE RELOCATION PROJECT
PIPELINE 2 – P-3620-0015**

This Escrow Agreement is made and entered into by and between _____
Beaumont-Cherry Valley Water District whose address is
560 Magnolia Avenue, Beaumont, CA 92223 hereinafter called "Owner,"
_____ whose address is
_____ hereinafter called "Contractor",
and _____ whose address is
_____ hereinafter called "Escrow Agent."

For the consideration hereinafter set forth, the Owner, Contractor, and Escrow Agent agree as follows:

(1) Pursuant to Section 22300 of the Public Contract Code of the State of California, Contractor has the option to deposit securities with an Escrow Agent as a substitute for retention earnings required to be withheld by Owner pursuant to the Construction Contract entered into between the Owner and Contractor for _____ dated _____ (hereinafter referred to as the "Contract"). Alternatively, on written request of the Contractor, the Owner shall make payments of the retention earnings directly to the Escrow Agent. When Contractor deposits the securities as a substitute for Contract earnings, the Escrow Agent shall notify the Owner within ten (10) days of the deposit. The market value of the securities at the time of the substitution shall be at least equal to the cash amount then required to be withheld as retention under the terms of the Contract between the Owner and Contractor. Securities shall be held in the name of _____, and shall designate the Contractor as the beneficial Owner.

(2) The Owner shall make progress payments to the Contractor for such funds which otherwise would be withheld from progress payments pursuant to the Contract provisions, provided that the Escrow Agent holds securities in the form and amount specified above.

(3) When the Owner makes payment of retentions earned directly to the Escrow Agent, the Escrow Agent shall hold them for the benefit of the Contractor until such time as the escrow created under this Contract is terminated. The Contractor may direct the investment of the payments into securities. All terms and conditions of this agreement and the rights and responsibilities of the parties shall be equally applicable and binding when the Owner pays the Escrow Agent directly.

(4) Contractor shall be responsible for paying all fees for the expenses incurred by Escrow Agent in administering the escrow account and all expenses of Owner. These expenses and payment terms shall be determined by the Owner, Contractor and Escrow Agent.

(5) The interest earned on the securities or the money market accounts held in escrow and all interest earned on that interest shall be for the sole account of Contractor and shall be subject to withdrawal by the Contractor at any time and from time to time without notice to the Owner.

(6) Contractor shall have the right to withdraw all or any part of the principal in the Escrow Account only by written notice to Escrow Agent accompanied by written authorization from the Owner to the Escrow Agent that Owner consents to the withdrawal of the amount sought to be withdrawn by Contractor.

(7) The Owner shall have a right to draw upon the securities in the event of default by the Contractor. Upon seven (7) days written notice to the Escrow Agent from the Owner of the default, the Escrow Agent shall immediately convert the securities to cash and shall distribute the cash as instructed by the Owner.

(8) Upon receipt of written notification from the Owner certifying that the Contract is final and complete, and that the Contractor has complied with all requirements and procedures applicable to the Contract, Escrow Agent shall release to Contractor all securities and interest on deposit less escrow fees and charges of the Escrow Account. The escrow shall be closed immediately upon disbursement of all moneys and securities on deposit and payments of fees and charges.

(9) Escrow Agent shall rely on the written notifications from the Owner and the Contractor pursuant to Sections (5) to (8), inclusive, of this agreement and the Owner and Contractor shall hold Escrow Agent harmless from Escrow Agent's release and disbursement of the securities and interest as set forth above.

(10) The names of the persons who are authorized to give written notice or to receive written notice on behalf of the Owner and on behalf of Contractor in connection with the foregoing, and exemplars of their respective signatures are as follows:

On behalf of Owner:

Title

Name

Signature

Address

On behalf of Escrow Agent:

Title

Name

Signature

Address

On behalf of Contractor:

Title

Name

Signature

Address

WORKERS' COMPENSATION INSURANCE CERTIFICATE

The Contractor shall execute the following form as required by the California Labor Code, Sections 1860 and 1861:

I am aware of the provisions of Section 3700 of the Labor Code which require every employer to be insured against liability for workers' compensation or to undertake self-insurance in accordance with the provisions of that code, and I will comply with such provisions before commencing the performance of the Work of this Contract.

Date

Contractor

By:

Signature

Title

ATTEST:

By:

Signature

Title

CERTIFICATE OF CONTRACTOR

I, _____,
certify that I am a/the _____ [designate sole proprietor, partner in partnership,
or specify corporate office, e.g., secretary] in the entity named as Contractor in the foregoing
Contract.

I hereby expressly certify that the name of the entity to which I am associated is
_____;
that this entity is in good standing and has complied with all applicable laws and regulations, and that I
have been expressly authorized by the proper parties in this entity to execute this contract on behalf
of the above-named entity.

Signature

ATTEST:

Name: _____
(Please Type)

Title: _____

CONDITIONAL WAIVER AND RELEASE UPON PROGRESS PAYMENT

Description of Contract:

2017 WATER PIPELINE REPLACEMENT PROJECT

PIPELINE 2 – P-3620-0015

FOR THE BEAUMONT-CHERRY VALLEY WATER DISTRICT

NOTICE: THIS DOCUMENT WAIVES THE CLAIMANT’S LIEN, STOP PAYMENT NOTICE, AND PAYMENT BOND RIGHTS EFFECTIVE ON RECEIPT OF PAYMENT. A PERSON SHOULD NOT RELY ON THIS DOCUMENT UNLESS SATISFIED THAT THE CLAIMANT HAS RECEIVED PAYMENT.

Identifying Information:

Name of Claimant:

Name of Customer:

Job Location:

Owner:

Through Date:

Conditional Waiver and Release

This document waives and releases lien, stop payment notice, and payment bond rights the claimant has for labor and service provided, and equipment and material delivered, to the customer on this job through the Through Date of this document. Rights based upon labor or service provided, or equipment or material delivered, pursuant to a written change order that has been fully executed by the parties prior to the date that this document is signed by the claimant, are waived and released by this document, unless listed as an Exception below. This document is effective only on the claimant’s receipt of payment from the financial institution on which the following check is drawn:

Maker of Check:

Amount of Check: \$

Check Payable to:

Exceptions:

This document does not affect any of the following:

- (1) Retentions.
- (2) Extras for which the claimant has not received payment.
- (3) The following progress payments for which the claimant has previously given a conditional waiver and release but has not received payment:

Date(s) of waiver and release:

Amount(s) of unpaid progress payment(s): \$

- (4) Contract rights, including (A) a right based on rescission, abandonment, or breach of contract, and (B) the right to recover compensation for work not compensated by the payment.

Signature:

Claimant's Signature:

Claimant's Title:

Date of Signature:

A notary public or other officer completing this certificate verifies only the identity of the individual who signed the document to which this certificate is attached, and not the truthfulness, accuracy, or validity of that document.

State of California)
County of Riverside)

On _____, before me, _____,
(insert name and title of the officer)

Notary Public, personally appeared _____, who proved to me on the basis of satisfactory evidence to be the person(s) whose name(s) is/are subscribed to the within instrument and acknowledged to me that he/she/they executed the same in his/her/their authorized capacity(ies), and that by his/her/their signature(s) on the instrument the person(s), or the entity upon behalf of which the person(s) acted, executed the instrument.

I certify under PENALTY OF PERJURY under the laws of the State of California that the foregoing paragraph is true and correct.

WITNESS my hand and official seal.

Signature _____ **(Seal)**

CERTIFICATE OF INSURANCE

Description of Contract:

2017 WATER PIPELINE REPLACEMENT PROJECT

PIPELINE 2 – P-3620-0015

FOR THE BEAUMONT-CHERRY VALLEY WATER DISTRICT

Type of Insurance: Workers' Compensation Insurance and Employers' Liability Insurance

THIS IS TO CERTIFY that the following policy has been issued by the below-stated company in conformance with the requirements of Section 2.5 of the General Conditions and is in force at this time.

The Company will give at least thirty (30) days written notice by certified mail to the Owner and Engineer/Architect prior to any material change or cancellation of said policy.

POLICY NO./EXPIRATION DATE _____

LIMITS OF LIABILITY

A. WORKERS' COMPENSATION

Statutory Limits Under the Laws of the State of California

B. EMPLOYERS' LIABILITY

Each Employee Each Accident

Bodily Injury by Accident

\$ _____ \$ _____

Bodily Injury by Disease

\$ _____ \$ _____

Named Insured (Contractor)

Insurance Company

Street Number

Street Number

City and State

City and State

By: _____

(Company Representative)

State of _____)
) ss.
County of _____)

On _____, 20____, before me,
_____, personally appeared
_____, who proved to me on the basis of satisfactory
evidence to be the person(s) whose name(s) is/are subscribed to the within instrument and
acknowledged to me that he/she/they executed the same in his/her/their authorized capacity(ies),
and that by his/her/their signature(s) on the instrument the person(s), or the entity upon behalf of
which the person(s) acted, executed the instrument.

I certify under PENALTY OF PERJURY under the laws of the State of California that the foregoing
paragraph is true and correct.

WITNESS my hand and official seal.

Signature of Notary (Notary Seal)

Insurance Company Agent for Service
of Process in California:

_____ Name	_____ Agency
_____ Street Number	_____ Street Number
_____ City and State	_____ City and State
_____ Telephone Number	_____ Telephone Number

This certificate or verification of insurance is not an insurance policy and does not amend, extend, or
alter the coverage afforded by the policies listed herein. Notwithstanding any requirement, term, or
condition of any contract or other document with respect to which this certificate or verification of
insurance may be issued or may pertain, the insurance afforded by the policies described herein is
subject to all the terms, exclusions, and conditions of such policies.

*NOTICE: No substitution or revision to the above certificate form will be accepted, unless otherwise
specified by the Owner in its sole discretion. If the insurance called for is provided by more than one
insurance company, a separate certificate in the exact above form shall be provided for each
insurance company.*

INSURANCE ENDORSEMENT for WORKERS' COMPENSATION

Description of Contract:

2017 WATER PIPELINE REPLACEMENT PROJECT

PIPELINE 2 – P-3620-0015

FOR THE BEAUMONT-CHERRY VALLEY WATER DISTRICT

Type of Insurance: Workers' Compensation Insurance and Employers' Liability Insurance

This endorsement forms a part of Policy No. _____.

ENDORSEMENT

It is agreed that with respect to such insurance as is afforded by the policy, the Company waives any right of subrogation it may acquire against the Owner, the Engineer/Architect, the Owner's Representative, and their consultants, and each of their directors, officers, agents, and employees by reason of any payment made on account of injury, including death resulting therefrom, sustained by any employee of the insured, arising out of the performance of the above-referenced Contract.

This endorsement does not increase the Company's total limits of liability.

Named Insured (Contractor)

Insurance Company

Street Number

Street Number

City and State

City and State

By: _____
(Company Representative)
(See Notice on Page S-4)

State of _____)
) ss.
County of _____)

On _____, 20____, before me,
_____, personally appeared
_____, who proved to me on the basis of satisfactory
evidence to be the person(s) whose name(s) is/are subscribed to the within instrument and
acknowledged to me that he/she/they executed the same in his/her/their authorized capacity(ies),
and that by his/her/their signature(s) on the instrument the person(s), or the entity upon behalf of
which the person(s) acted, executed the instrument.

I certify under PENALTY OF PERJURY under the laws of the State of California that the foregoing
paragraph is true and correct.

WITNESS my hand and official seal.

Signature of Notary

(Notary Seal)

NOTICE: No substitution or revision to the above endorsement form will be accepted, unless otherwise specified by the Owner in its sole discretion. If the insurance called for is provided by more than one policy, a separate endorsement in the exact above form shall be provided for each policy.

CERTIFICATE OF INSURANCE

Description of Contract:

2017 WATER PIPELINE REPLACEMENT PROJECT

PIPELINE 2 – P-3620-0015

FOR THE **BEAUMONT-CHERRY VALLEY WATER DISTRICT**

Type of Insurance: Liability Insurance

THIS IS TO CERTIFY that the following policies have been issued by the below-stated company in conformance with the requirements of Section 2.5 of the General Conditions and are in force at this time. The policy shall be an occurrence policy with a deductible not to exceed \$5,000.

POLICY NUMBER EXPIRATION DATE		LIMITS OF LIABILITY (thousands)	
		Occurrence	Aggregate
_____	A. GENERAL LIABILITY		
	Bodily Injury, Personal Injury, and Property Damage Combined	\$ _____	\$ _____
_____	B. EXCESS GENERAL LIABILITY	\$ _____	\$ _____
_____	C. AUTOMOBILE LIABILITY		
	Bodily Injury and Property Damage Combined	\$ _____	\$ _____
_____	D. EXCESS AUTOMOBILE LIABILITY	\$ _____	\$ _____

The following types of coverage are included in said policies (indicate by "X" in space):

A. GENERAL LIABILITY

- Comprehensive FormYES ___ NO ___
- Premises-OperationsYES ___ NO ___
- Explosion and Collapse Hazard.....YES ___ NO ___
- Underground HazardYES ___ NO ___
- Products/Completed Operations Hazard.....YES ___ NO ___
- Contractual Insurance.....YES ___ NO ___
- Broad Form Property Damage, Including
 - Completed OperationsYES ___ NO ___
 - Independent ContractorsYES ___ NO ___
 - Personal InjuryYES ___ NO ___

B. EXCESS GENERAL LIABILITY

- Umbrella FormYES ___ NO ___
- Other Than Umbrella Form.....YES ___ NO ___

If other than Umbrella Form, please explain below:

C. AUTOMOBILE LIABILITY

- Comprehensive Form Including Loading and UnloadingYES ___ NO ___
- OwnedYES ___ NO ___
- HiredYES ___ NO ___
- Non-OwnedYES ___ NO ___

D. EXCESS AUTOMOBILE LIABILITY

- Umbrella FormYES ___ NO ___
- Other Than Umbrella Form.....YES ___ NO ___

If other than Umbrella Form, please explain below:

This certificate or verification of insurance is not an insurance policy and does not amend, extend, or alter the coverage afforded by the policies listed herein. However, the insurance provided shall meet the requirements of the Contract Documents and include coverage as specified in this certificate. The Company will give at least thirty (30) days written notice by certified mail to the Owner and the Engineer/Architect prior to any material change or cancellation of said policies.

Named Insured (Contractor)

Insurance Company

Street Number

Street Number

City and State

City and State

By: _____
(Company Representative)
(See Notice on Page T-4)

State of _____)
County of _____) ss.

On _____, 20____, before me,
_____, personally appeared
_____, who proved to me on the basis of satisfactory
evidence to be the person(s) whose name(s) is/are subscribed to the within instrument and
acknowledged to me that he/she/they executed the same in his/her/their authorized capacity(ies),
and that by his/her/their signature(s) on the instrument the person(s), or the entity upon behalf of
which the person(s) acted, executed the instrument.

I certify under PENALTY OF PERJURY under the laws of the State of California that the foregoing
paragraph is true and correct.

WITNESS my hand and official seal.

Signature of Notary (Notary Seal)

Insurance Company Agent for Service
of Process in California:

Name

Agency

Street Number

Street Number

City and State

City and State

Telephone

Telephone

This certificate or verification of insurance is not an insurance policy and does not amend, extend, or
alter the coverage afforded by the policies listed herein. Notwithstanding any requirement, term, or
condition of any contract or other document with respect to which this certificate or verification of
insurance may be issued or may pertain, the insurance afforded by the policies described herein is
subject to all the terms, exclusions, and conditions of such policies.

Insurers must be authorized to do business and have an agent for service of process in California
and have an "A" policyholder's rating and a financial rating of at least Class VI in accordance with
the most current Best's Rating.

**NOTICE: No substitution or revision to the above certificate form will be accepted, unless
otherwise specified by the Owner in its sole discretion. If the insurance called for is provided
by more than one insurance company, a separate certificate in the exact above form shall be
provided for each insurance company.**

INSURANCE ENDORSEMENT

Description of Contract:

2017 WATER PIPELINE REPLACEMENT PROJECT

PIPELINE 2 – P-3620-0015

FOR THE BEAUMONT-CHERRY VALLEY WATER DISTRICT

Type of Insurance: Liability Insurance

This endorsement forms a part of Policy No. _____.

ENDORSEMENT

The Owner, the Engineer/Architect, the Owner's Representative, and their consultants, and each of their directors, officers, agents, and employees are included as additional insured under said policies but only while acting in their capacity as such and only as respects operations of the named insured, his contractors, any subcontractor, any supplier, anyone directly or indirectly employed by any of them, or anyone for whose acts any of them may be liable in the performance of the above-referenced contract. This insurance shall not apply if the loss or damage is ultimately determined to be the result of the sole and exclusive negligence (including any connected with the preparation or approval of maps, drawings, opinions, reports, surveys, designs, or specifications) of one or more of the aforesaid additional insured. The insurance afforded to these additional insured is primary insurance. If the additional insured have other insurance which might be applicable to any loss, the amount of this insurance shall not be reduced or prorated by the existence of such other insurance.

The Contractual Liability Insurance afforded is sufficiently broad to insure all of the matters set forth in the article entitled "Indemnity" in the General Provisions of the above-referenced contract except those matters set forth in the third paragraph thereof.

This endorsement does not increase the Company's total limits of liability.

Named Insured (Contractor)

Insurance Company

Street Number

Street Number

City and State

City and State

By: _____

(Company Representative)
(See Notice on Page T-6)

State of _____)
County of _____) ss.

On _____, 20____, before me, _____, personally appeared _____, who proved to me on the basis of satisfactory evidence to be the person(s) whose name(s) is/are subscribed to the within instrument and acknowledged to me that he/she/they executed the same in his/her/their authorized capacity(ies), and that by his/her/their signature(s) on the instrument the person(s), or the entity upon behalf of which the person(s) acted, executed the instrument.

I certify under PENALTY OF PERJURY under the laws of the State of California that the foregoing paragraph is true and correct.

WITNESS my hand and official seal.

Signature of Notary (Notary Seal)

Insurers must be authorized to do business and have an agent for service of process in California and have an "A" policyholder's rating and a financial rating of at least Class VII in accordance with the most current Best's Rating.

NOTICE: No substitution or revision to the above endorsement form will be accepted, unless otherwise specified by the Owner in its sole discretion. If the insurance called for is provided by more than one policy, a separate endorsement in the exact above form shall be provided for each policy.

CERTIFICATE OF INSURANCE

Description of Contract:

2017 WATER PIPELINE REPLACEMENT PROJECT

PIPELINE 2 – P-3620-0015

FOR THE BEAUMONT-CHERRY VALLEY WATER DISTRICT

Type of Insurance: Builders' Risk "All Risk" Insurance

THIS IS TO CERTIFY that the following policy has been issued by the below-stated company in conformance with the requirements of Sections 2.5 of the General Conditions and is in force at this time:

<u>POLICY NUMBER</u>	<u>EXPIRATION DATE</u>	<u>LIMITS OF LIABILITY</u>
_____	_____	\$ _____ (Not Less Than Contract Amt)
	Deductible: (Not Sooner Than Contract Completion Date)	\$ _____ (Not More Than \$5,000)

This certificate or verification of insurance is not an insurance policy and does not amend, extend, or alter the coverage afforded by the policies listed herein. Notwithstanding any requirement, term, or condition of any contract or other document with respect to which this certificate or verification of insurance may be issued or may pertain, the insurance afforded by the policies described herein is subject to all the terms, exclusions, and conditions of such policies.

The Company will give at least thirty (30) days written notice by certified mail to the Owner and the Engineer/Architect prior to any material change or cancellation of said policy.

Named Insured (Contractor)

Insurance Company

Street Number

Street Number

City and State

City and State

By: _____
(Company Representative)
(See Notice on Page U-2)

State of _____)
County of _____) ss.

On _____, 20____, before _____ me,
_____, personally appeared
_____, who proved to me on the basis of satisfactory
evidence to be the person(s) whose name(s) is/are subscribed to the within instrument and
acknowledged to me that he/she/they executed the same in his/her/their authorized capacity(ies),
and that by his/her/their signature(s) on the instrument the person(s), or the entity upon behalf of
which the person(s) acted, executed the instrument.

I certify under PENALTY OF PERJURY under the laws of the State of California that the foregoing
paragraph is true and correct.

WITNESS my hand and official seal.

Signature of Notary

(Notary Seal)

Insurance Company Agent for Service
of Process in California:

Name

Agency

Street Number

Street Number

City and State

City and State

Telephone

Telephone

This certificate or verification of insurance is not an insurance policy and does not amend, extend, or
alter the coverage afforded by the policies listed herein. Notwithstanding any requirement, term, or
condition of any contract or other document with respect to which this certificate or verification of
insurance may be issued or may pertain, the insurance afforded by the policies described herein is
subject to all the terms, exclusions, and conditions of such policies.

Insurers must be authorized to do business and have an agent for service of process in California
and have an "A" policyholder's rating and a financial rating of at least Class VI in accordance with
the most current Best's Rating.

**NOTICE: No substitution or revision to the above certificate form will be accepted, unless
otherwise specified by the Owner in its sole discretion. If the insurance called for is
provided by more than one insurance company, a separate certificate in the exact above
form shall be provided for each insurance company.**

INSURANCE ENDORSEMENT

Description of Contract:

2017 WATER PIPELINE REPLACEMENT PROJECT

PIPELINE 2 – P-3620-0015

FOR THE BEAUMONT-CHERRY VALLEY WATER DISTRICT

Type of Insurance: Builders' Risk "All Risk" Insurance

This endorsement forms a part of Policy No. _____

ENDORSEMENT

The Owner, the Engineer/Architect, the Owner's Representative, and their consultants, and each of their directors, officers, agents, and employees are included as additional insured under said policy but only while acting in their capacity as such with respect to the above-referenced contract.

The insurance afforded to these additional insured is primary insurance. If the additional insured have other insurance which might be applicable to any loss, the amount of this insurance shall not be reduced or prorated by the existence of such other insurance.

This endorsement does not increase the Company's total limits of liability.

Named Insured (Contractor)

Insurance Company

Street Number

Street Number

City and State

City and State

By: _____
(Company Representative)
(See Notice on Page U-4)

State of _____)
) ss.
County of _____)

On _____, 20____, before me,
_____, personally appeared
_____, who proved to me on the basis of satisfactory
evidence to be the person(s) whose name(s) is/are subscribed to the within instrument and
acknowledged to me that he/she/they executed the same in his/her/their authorized capacity(ies),
and that by his/her/their signature(s) on the instrument the person(s), or the entity upon behalf of
which the person(s) acted, executed the instrument.

I certify under PENALTY OF PERJURY under the laws of the State of California that the foregoing
paragraph is true and correct.

WITNESS my hand and official seal.

Signature of Notary

(Notary Seal)

Insurers must be authorized to do business and have an agent for service of process in California
and have an "A" policyholder's rating and a financial rating of at least Class VI in accordance with
the most current Best's Rating.

**NOTICE: No substitution or revision to the above endorsement form will be accepted, unless
otherwise specified by the Owner in its sole discretion. If the insurance called for is provided
by more than one policy, a separate endorsement in the exact above form shall be provided
for each policy.**

IRAN CONTRACTING ACT CERTIFICATION

(Public Contract Code sections 2202-2208)

Pursuant to the Iran Contract Act of 2010 (Public Contract Code 2200-2208), Vendors/Bidders are ineligible to bid on or submit a proposal for any contract with a public entity for goods or services of one million dollars (\$1,000,000) or more if the Vendor/Bidder engages in investment activities in Iran.

For bids \$1,000,000 or more, bidders must certify that it is not on the list of ineligible vendors prohibited from doing business with the State of California and shall complete the Iran Contract Act Certification attached and submit with their proposal at the time of bid. Failure to do so may deem your bid non-responsive.

IRAN CONTRACTING ACT CERTIFICATION

Pursuant to the Iran Contract Act of 2010 (Public Contract Code 2200-2208), Vendors/Bidders are ineligible to bid on or submit a proposal for any contract with a public entity for goods or services of one million dollars (\$1,000,000) or more if the Vendor/Bidder engages in investment activities in Iran.

MUST BE SUBMITTED WITH BID PROPOSAL IF BID AMOUNT IS \$1,000,000 OR MORE

Prior to bidding on, submitting a proposal, or executing a contract or renewal for a public entity contract for goods or services of \$1,000,000 or more, a vendor must either: a) certify it is **not** on the current list of persons engaged in investment activities in Iran created by the California Department of General Services (“DGS”) pursuant to Public Contract Code section 2203(b) and is not a financial institution extending \$20,000,000 or more in credit to another person, for 45 days or more, if that other person will use the credit to provide goods or services in the energy sector in Iran and is identified on the current list of persons engaged in investment activities in Iran created by DGS; or b) demonstrate it has been exempted from the certification requirement for that solicitation or contract pursuant to Public Contract Code section 2203(c) or (d).

To comply with this requirement, please insert your vendor or financial institution name and Federal ID Number (if available) and complete **one** of the options below. Please note: California law establishes penalties for providing false certifications, including civil penalties equal to the greater of \$250,000 or twice the amount of the contract for which the false certification was made, contract termination, and three-year ineligibility to bid on contracts. (Pub. Cont. Code § 2205.)

OPTION #1 - CERTIFICATION

I, the official named below, certify I am duly authorized to execute this certification on behalf of the vendor/financial institution identified below, and the vendor/financial institution identified below is **not** on the current list of persons engaged in investment activities in Iran created by DGS and is not a financial institution extending twenty million dollars (\$20,000,000) or more in credit to another person/vendor, for 45 days or more, if that other person/vendor will use the credit to provide goods or services in the energy sector in Iran and is identified on the current list of persons engaged in investment activities in Iran created by DGS.

I certify (or declare) under penalty of perjury under the laws of the State of California that the foregoing is true and correct.

<i>Vendor Name/Financial Institution (Printed)</i>	<i>Federal ID Number (or n/a)</i>
<i>By (Authorized Signature)</i>	
<i>Printed Name and Title of Person Signing</i>	<i>Date Executed</i>

OPTION #2 – EXEMPTION

Pursuant to Public Contract Code sections 2203(c) and (d), a public entity may permit a vendor/financial institution engaged in investment activities in Iran, on a case-by-case basis, to be eligible for, or to bid on, submit a proposal for, or enters into or renews, a contract for goods and services.

If you have obtained an exemption from the certification requirement under the Iran Contracting Act, please fill out the information below, and attach documentation demonstrating the exemption approval.

<i>Vendor Name/Financial Institution (Printed)</i>	<i>Federal ID Number (or n/a)</i>
<i>By (Authorized Signature)</i>	
<i>Printed Name and Title of Person Signing</i>	<i>Date Executed</i>

PUBLIC WORKS CONTRACTOR REGISTRATION
(Pursuant to SB 854)

This project is subject to compliance monitoring and enforcement by the Department of Industrial Relations.

Pursuant to Section 1771.1 of the Labor Code, **no contractor or subcontractor** shall be qualified to bid on, be listed in a bid proposal pursuant to Section 4104 of the Public Contract Code, or engage in the performance of any contract for public work unless currently registered to perform public work pursuant to Section 1725.5 of the Labor Code. It shall not be a violation of this section for an unregistered contractor to submit a bid that is authorized by Section 7029.1 of the Business and Professions Code or by Sections 10164 or 20103.5 of the Public Contract Code, provided the contractor is registered to perform public work pursuant to Section 1725.5 at the time the contract is awarded.

BIDDERS AND THEIR SUBCONTRACTORS (listed on the Designation of Subcontractors List C-05) are to provide an extract (pdf) at time of bid showing active registration from the Public Works Contractor Registration online registration at <https://efiling.dir.ca.gov/PWCR/Search>

**SUBMIT BIDDER & SUBCONTRACTORS CONTRACTOR REGISTRATION
EXTRACTS WITH BID PROPOSAL**

Example:

Legal Name	Registration Number	County	City	Registration Date	Expiration Date
Contractors Name	0000000000	RIVERSIDE	Temecula	06/01/2015	06/30/2016

BEAUMONT-CHERRY VALLEY WATER DISTRICT

2017 WATER PIPELINE REPLACEMENT PROJECT

PIPELINE 2 – P-3620-0015

APPENDIX A

CONSTRUCTION PLANS

BEAUMONT - CHERRY VALLEY WATER DISTRICT WATER PIPELINE REPLACEMENT PROJECTS

~~PIPELINE 1: P-3620-0012 AVE ALTEJO BELLA, AVENIDA MIRAVILLA TO END OF CUL-DE-SAC~~

PIPELINE 2: P-3620-0015 APPLETREE LANE, B LINE TO OAK GLEN ROAD

~~PIPELINE 3: P-2750-0069 EGAN AVE, CALIFORNIA ALLEY FROM 5TH TO 7TH STREETS~~

2750 & 3620 ZONES

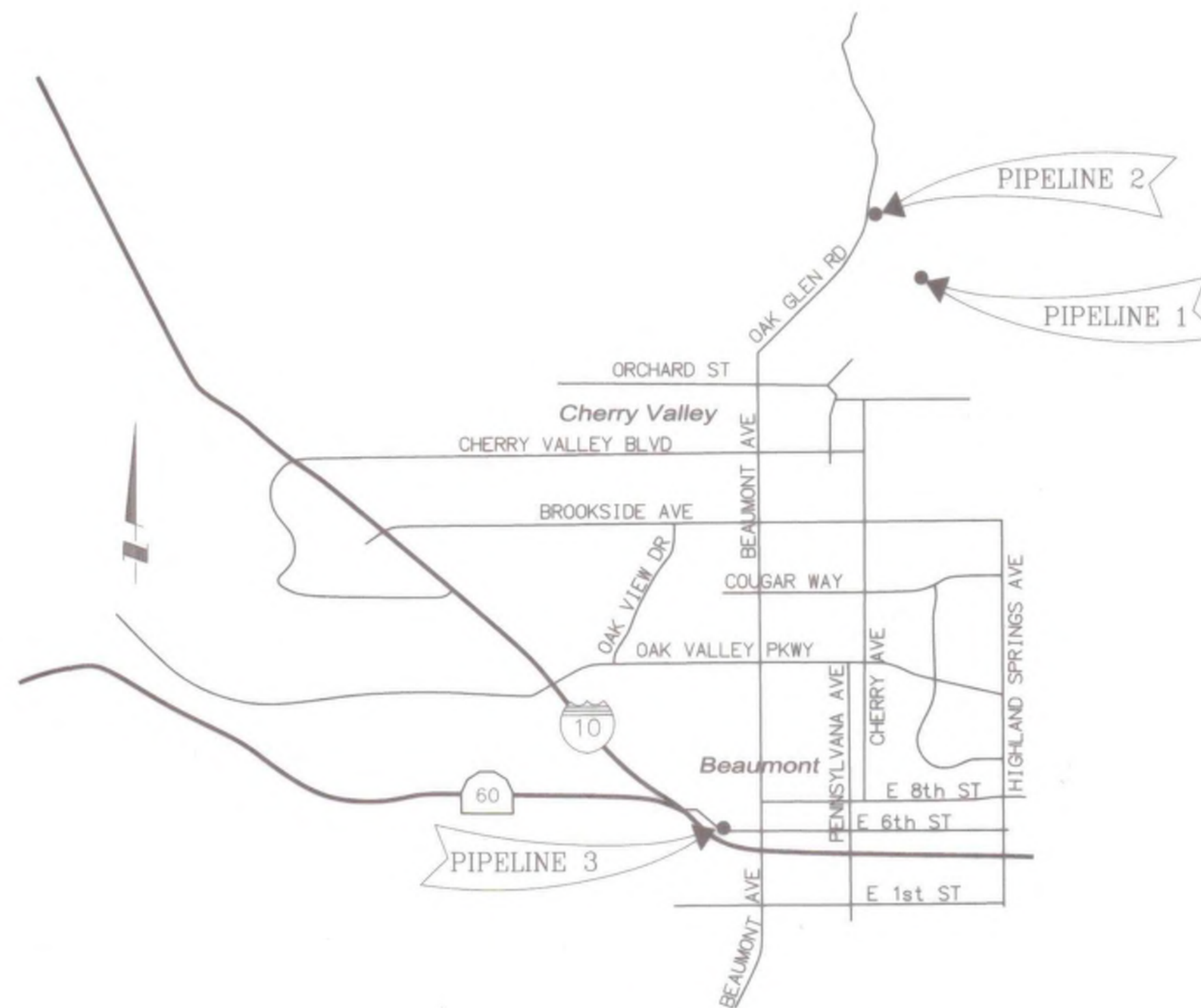
WORK FOR THIS BID SET ONLY
INCLUDES WORK FOR THE
CONSTRUCTION OF PIPELINE 1:
P-3620-0015 APPLETREE LANE,
B LINE TO OAK GLEN ROAD.

ANY REFERENCE TO OR DETAIL
FOR PIPELINE 1 AND PIPELINE 3
NOT A PART OF THIS BID SET.

PIPELINE 1: Located Within a Portion of Sections 22 & 23, Township 2 South, Range 1 West, S.B.M.

PIPELINE 2: Located Within a Portion of Section 14 & 15, Township 2 South, Range 1 West, S.B.M.

PIPELINE 3: Located Within a Portion of Section 9, Township 3 South, Range 1 West, S.B.M.



VICINITY MAP

CONTRACTOR'S RESPONSIBILITY FOR THE JOB SITE

CONTRACTOR AGREES THAT IN ACCORDANCE WITH GENERALLY ACCEPTED CONSTRUCTION PRACTICES, CONSTRUCTION CONTRACTOR WILL BE REQUIRED TO ASSUME SOLE AND COMPLETE RESPONSIBILITY FOR JOB SITE CONDITIONS DURING THE COURSE OF CONSTRUCTION OF THE PROJECT, INCLUDING SAFETY OF ALL PERSONS AND PROPERTY; THAT THIS REQUIREMENT SHALL BE MADE TO APPLY CONTINUOUSLY AND NOT BE LIMITED TO NORMAL WORKING HOURS, AND CONSTRUCTION CONTRACTOR FURTHER AGREES TO DEFEND, INDEMNIFY AND HOLD DESIGN PROFESSIONAL HARMLESS FROM ANY AND ALL LIABILITY, REAL OR ALLEGED, IN CONNECTION WITH THE PERFORMANCE OF WORK ON THIS PROJECT, EXCEPTING LIABILITY ARISING FROM THE SOLE NEGLIGENCE OF DESIGN PROFESSIONAL.

PRIVATE ENGINEER'S NOTICE TO CONTRACTOR(S)

THE EXISTENCE AND LOCATION OF ANY UNDERGROUND UTILITIES OR STRUCTURES SHOWN ON THESE PLANS ARE OBTAINED BY A SEARCH OF AVAILABLE RECORDS. TO THE BEST OF OUR KNOWLEDGE THERE ARE NO EXISTING UTILITIES EXCEPT THOSE SHOWN ON THESE PLANS. THE CONTRACTOR IS REQUIRED TO TAKE ALL PRECAUTIONARY MEASURES TO PROTECT THE UTILITIES SHOWN, AND ANY OTHER LINES OR STRUCTURES NOT SHOWN ON THESE PLANS, AND IS REQUIRED FOR THE PROTECTION OF, AND ANY DAMAGE TO THESE LINES OR STRUCTURES.

IT SHALL BE THE CONTRACTOR'S RESPONSIBILITY TO NOTIFY THE OWNER OF ALL UTILITIES OR STRUCTURES CONCERNED BEFORE STARTING WORK.

THE ENGINEER PREPARING THESE PLANS WILL NOT BE RESPONSIBLE FOR/OR LIABLE FOR UNAUTHORIZED CHANGES TO OR USES OF THESE PLANS. ALL CHANGES TO THE PLANS MUST BE IN WRITING AND MUST BE APPROVED BY THE PREPARER OF THESE PLANS.

QUANTITIES SHOWN HEREON ARE PROVIDED FOR BIDDING PURPOSES ONLY. CONTRACTOR SHALL BE RESPONSIBLE FOR VERIFYING ALL QUANTITIES PRIOR TO BIDDING FOR CONSTRUCTION.

LASER FICHE METADATA

- a. TITLE: WATER PIPELINE REPLACEMENT PROJECT
- b. # OF SHEETS: 14
- c. PROJECT LOCATION:
PIPELINE 1: AVE ALTEJO BELLA, AVENIDA MIRAVILLA TO END OF CUL-DE-SAC
PIPELINE 2: APPLETREE LANE, B LINE TO OAK GLEN ROAD
PIPELINE 3: EGAN AVE, CALIFORNIA ALLEY FROM 5TH TO 7TH STREETS
- d. TOWNSHIP, RANGE, SECTION:
PIPELINE 1: LOCATED WITHIN A PORTION OF SECTIONS 22 & 23, TOWNSHIP 2 SOUTH, RANGE 1 WEST, S.B.M.
PIPELINE 2: LOCATED WITHIN A PORTION OF SECTION 14 & 15, TOWNSHIP 2 SOUTH, RANGE 1 WEST, S.B.M.
PIPELINE 3: LOCATED WITHIN A PORTION OF SECTION 9, TOWNSHIP 3 SOUTH, RANGE 1 WEST, S.B.M.
- e. OR CASE NUMBER: MS04383
- f. PLAN TYPE: WT
- g. FILE NUMBER: ~~F80~~
- h. YEAR SIGNED: 2021
- i. IP NUMBER: IP200048

THE PRIVATE ENGINEER SIGNING THESE PLANS IS RESPONSIBLE FOR ASSURING THE ACCURACY AND ACCEPTABILITY OF THE DESIGN HEREON. IN THE EVENT OF DISCREPANCIES ARISING AFTER BCWD APPROVAL OR DURING CONSTRUCTION, THE PRIVATE ENGINEER SHALL BE RESPONSIBLE FOR DETERMINING AN ACCEPTABLE SOLUTION AND REVISING THE PLANS FOR APPROVAL BY THE BCWD.

NOTE:
WORK CONTAINED WITHIN THESE PLANS SHALL NOT COMMENCE UNTIL AN ENCROACHMENT PERMIT HAS BEEN ISSUED.



BASIS OF BEARINGS:
DESCRIPTION:
CALIFORNIA COORDINATE SYSTEM, ZONE VI, NAD83 (EPOCH 2010.00) AS DETERMINED LOCALLY BY A LINE BETWEEN CORNERS PS84 AND MLFP BEING NB4-41-07.39W AS DERIVED FROM GEODETIC VALUES PUBLISHED BY CSRC AND/OR NGS, RESPECTIVELY.

BENCHMARK:
DESCRIPTION:
PER PLAN

BY	MARK	DESCRIPTION	APPR.	DATE
ENGINEER		REVISIONS		CITY

Michael Baker INTERNATIONAL

40810 COUNTY CENTER DR., SUITE 200
TEMECULA, CA 92591
PHONE: (951) 676-8042
MBAKERINTL.COM

Miles M. Costanza
MILES M. COSTANZA

DATE: 1/15/2021
R.C.E. 87843

DESIGN BY: MJB
DRAWN BY: JDC, IA
CHECKED BY: MJB
SCALE: PER PLAN
DATE: NOV. 2018
JOB NUMBER: 164160

BEAUMONT - CHERRY VALLEY WATER DISTRICT
Riverside County, California

Approved By: *Mark Swanson* Date: 4/23/21
MARK SWANSON
District Engineer
R.C.E. No. 72332

MS0483 / IP200048

CITY OF BEAUMONT, CALIFORNIA
WATER PIPELINE REPLACEMENT PROJECTS

TITLE SHEET * VICINITY MAP

FOR: BCWD

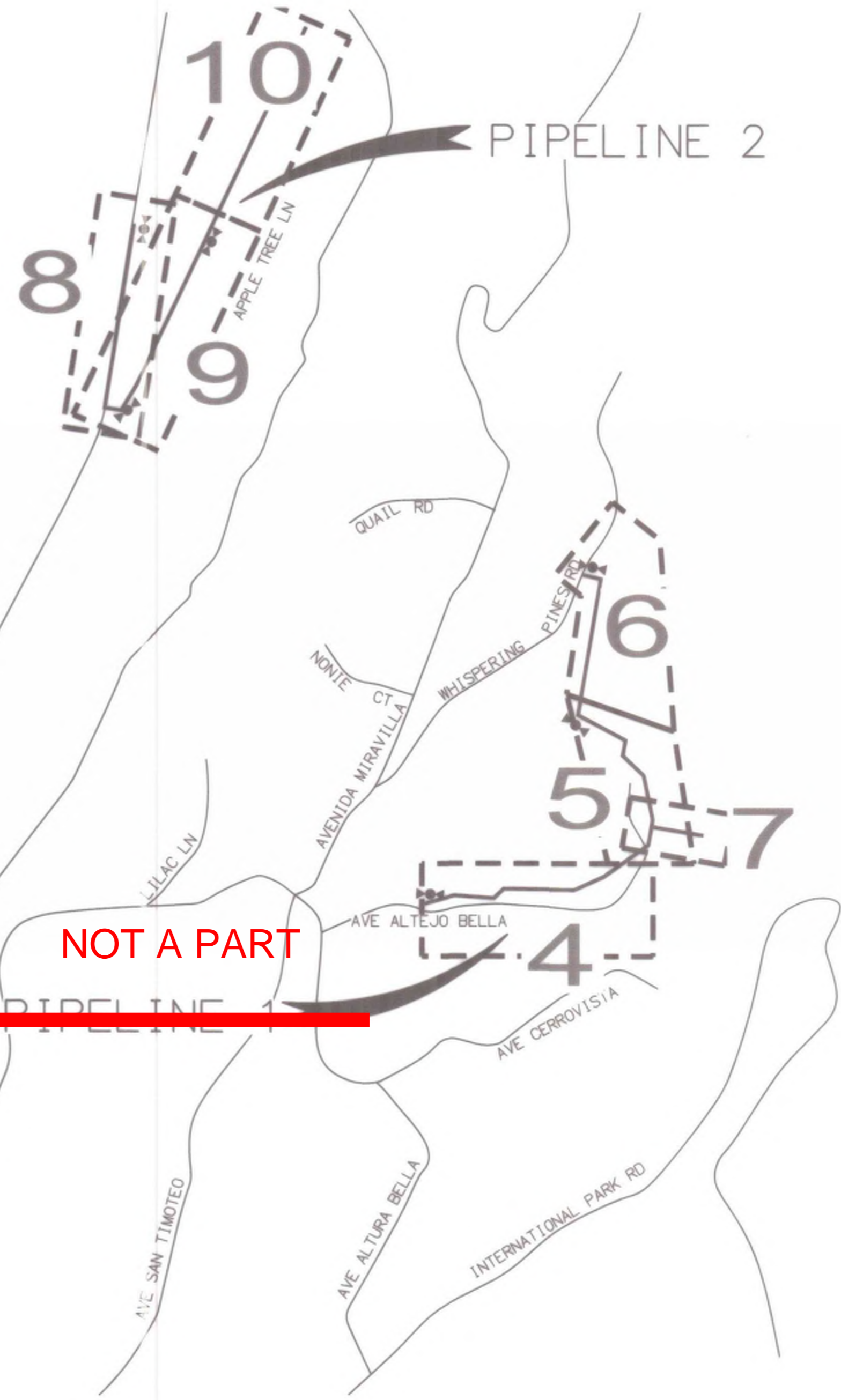
PZ2750
PZ3620

SHEET

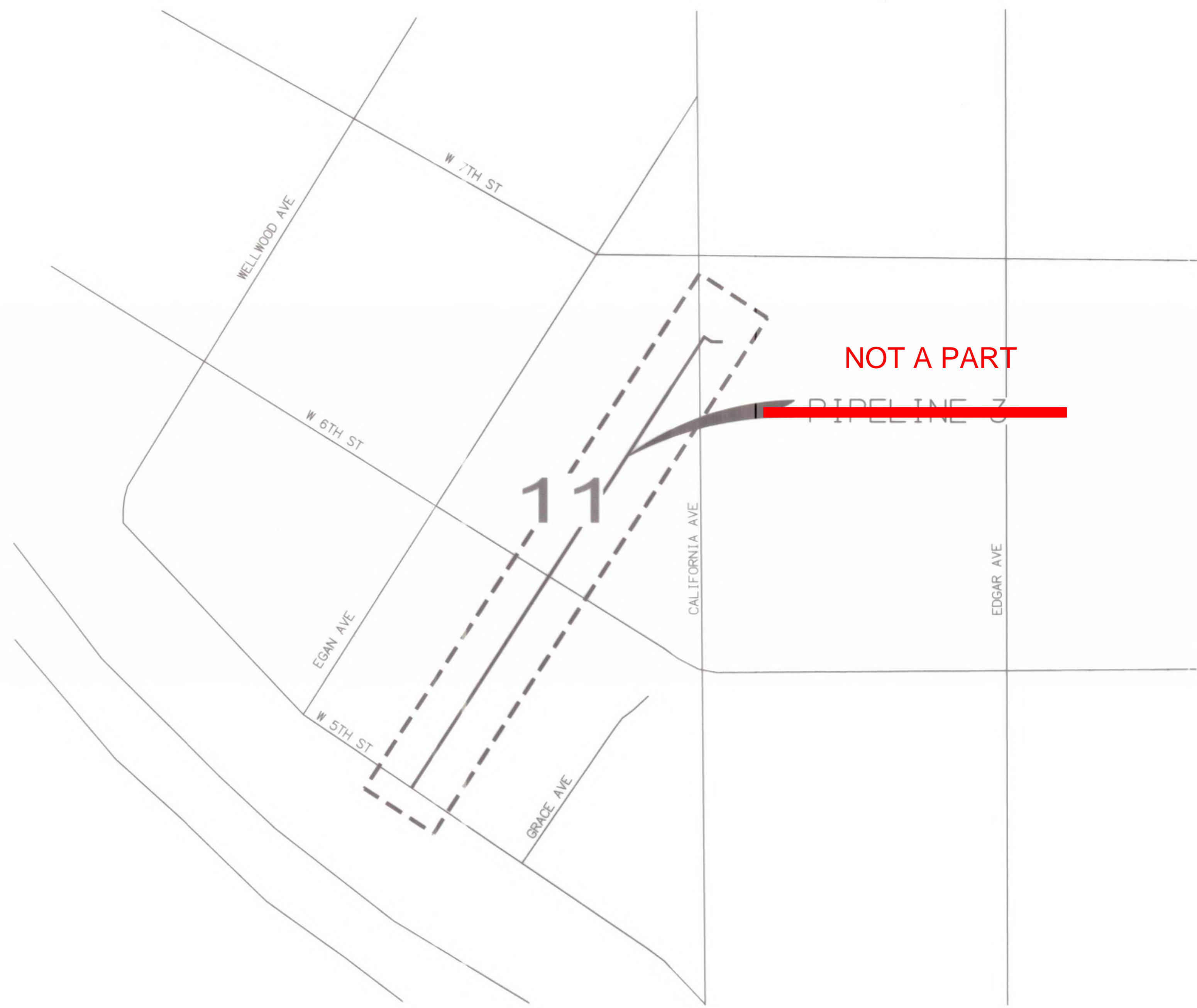
1

OF 14 SHEETS
FILE NO.:

969X



INDEX MAP PIPELINES 1 & 2
PZ 3620



INDEX MAP PIPELINE 3
PZ 2750



INDEX OF SHEETS	
SHEET	DESCRIPTION
1	TITLE SHEET * VERTICALITY MAP
2	INDEX MAPS * SHEET INDEX
3	GENERAL NOTES * QUANTITIES
4	AVE ALTEJO BELLA - STA. 60+00.00 TO STA. 69+00.00
5	AVE ALTEJO BELLA - STA. 69+00.00 TO STA. 78+00.00
6	AVE ALTEJO BELLA - STA. 78+00.00 TO STA. 82+20.82
7	AVE ALTEJO BELLA - STA. 90+00.00 TO STA. 92+05.25
8	OAK GLEN RD - STA. 30+00.00 TO STA. 37+29.48
9	APPLE TREE LN - STA. 40+00.00 TO STA. 48+00.00
10	APPLE TREE LN - STA. 48+00.00 TO STA. 57+40.29
11	EGAN AVE - STA. 10+09.69 TO STA. 17+52.86
12	CONNECTION DETAILS
13	DETAILS
14	CASING DETAILS

THE PRIVATE ENGINEER SIGNING THESE PLANS IS RESPONSIBLE FOR ASSURING THE ACCURACY AND ACCEPTABILITY OF THE DESIGN HEREON. IN THE EVENT OF DISCREPANCIES ARISING AFTER BCWD APPROVAL OR DURING CONSTRUCTION, THE PRIVATE ENGINEER SHALL BE RESPONSIBLE FOR DETERMINING AN ACCEPTABLE SOLUTION AND REVISIONS TO THE PLANS FOR APPROVAL BY THE BCWD.



NOTE:
WORK CONTAINED WITHIN THESE PLANS SHALL NOT COMMENCE UNTIL AN ENCROACHMENT PERMIT HAS BEEN ISSUED.

1/18/2021

BASIS OF BEARINGS:
DESCRIPTION: CALIFORNIA COORDINATE SYSTEM, ZONE VI, NAD83 (EPOCH 2010.00) AS DETERMINED LOCALLY BY A LINE BETWEEN CORNERS P584 AND MLFP BEING N84-41-07.39W AS DERIVED FROM GEODETIC VALUES PUBLISHED BY CSRC AND/OR NGS, RESPECTIVELY.

BENCHMARK:
DESCRIPTION: PER PLAN

BY	MARK	DESCRIPTION	APPR.	DATE
ENGINEER		REVISIONS		CITY

Michael Baker INTERNATIONAL
40810 COUNTY CENTER DR., SUITE 200, TEMECULA, CA 92591
PHONE: (951) 676-8042, MBAKERINTL.COM

DESIGN BY: MJB
DRAWN BY: JCC, IA
CHECKED BY: MJB
SCALE: PER PLAN
DATE: NOV. 2018
JOB NUMBER: 164160

DATE: 1/15/2021
R.C.E. 87843

MILES M. COSTANZA

BEAUMONT - CHERRY VALLEY WATER DISTRICT
Riverside County, California

Approved By: *[Signature]* Date: 1/23/21

MARK SWANSON
District Engineer
R.C.E. No. 72332

MS0483 / IP200048

CITY OF BEAUMONT, CALIFORNIA
WATER PIPELINE REPLACEMENT PROJECTS

INDEX MAPS * SHEET INDEX

FOR: BCVWD

SHEET
2
OF 14 SHEETS
FILE NO.: 969X

COUNTY OVERSIGHT ENGINEER
Benjie Cho, P.E.
APPROVED AS TO COMPLIANCE WITH APPLICABLE COUNTY STANDARDS AND PRACTICES



ABBREVIATIONS

ABANDONED	ABAN
ASPHALTIC CONCRETE	AC
ASSEMBLY	ASS'Y
AIR VACUUM RELEASE VALVE	AVR
BEAUMONT CHERRY VALLEY WATER DISTRICT	BCVWD
BUTTERFLY VALVE	BFV
BACK FLOW PREVENTOR	BFP
BLOW OFF	BO
BOTTOM OF PIPE	BOP
CENTERLINE	C
CURB & GUTTER	CKG
DEFLECTION	DEF
DUCTILE IRON PIPE	DIP
ELEVATION	EL
EXISTING	EX
FIRE HYDRANT	FH
FLANGED	FLG
FLOW LINE	FL
FIBER OPTIC	FO
GATE VALVE	GV
GRADE BREAK	GB
HORIZONTAL	HORZ
INVERT	INV
IRRIGATION CONTROL VALVE	ICV
LATERAL	LAT
MAXIMUM	MAX
MECHANICAL JOINT	MJ
MINIMUM	MIN
NOT TO SCALE	NTS
PAV ELEVATION	PE
POINT OF INTERSECTION	PI
PAVEMENT	PAV
POLYVINYL CHLORIDE	PVC
PROPOSED	PROP
PUBLIC UTILITY EASEMENT	PUE
RIGHT-OF-WAY	R/W
STORM DRAIN	SD
STATION	STA
STEEL	STL
TEMPORARY	TEMP
TELEPHONE	TEL
TOP OF PIPE	TOP
SEWER SIDEWALK	SW
WATER	WTR
UNKNOWN	UNK
VITRIFIED CLAY PIPE	VCP
CROSSING	X-ING

LEGEND

WATER SERVICE	— —
WATER TEE	— — —
BLOWOFF ASSEMBLY	— — — —
AIR VACUUM RELEASE ASSEMBLY (AVR)	— — — — —
BOLLARD	— — —
WATER VALVE (GATE)	— — —
WATER SAMPLE STATION	— — —
FIRE HYDRANT	— — —
EXISTING WATER	— — —
EXISTING FIRE HYDRANT	— — —
EXISTING STORM DRAIN	— — —
EXISTING FENCE	— — —
EXISTING FIBER OPTIC	— — —
EXISTING SEWER	— — —
PROPOSED STORM DRAIN	— — —
PROPOSED SEWER	— — —
PROPOSED WATER	— — —
FUTURE IMPROVEMENTS	— — —
RIGHT-OF-WAY	— — —
PUBLIC UTILITY EASEMENT	— — —
PROPERTY LINE	— — —
THRUST BLOCK	— — —
PAVING	— — —
CONCRETE REPLACEMENT	— — —
EDGE OF PAVEMENT	— — —

CONSTRUCTION NOTES

NO.	PIPELINE 1				PIPELINE 2				PIPELINE 3			
	QTY.	UNIT	QTY.	UNIT	QTY.	UNIT	QTY.	UNIT	QTY.	UNIT	QTY.	UNIT
1	1	EA	1	EA	1	EA	1	EA	1	EA	1	EA
2	1	EA	1	EA	1	EA	1	EA	1	EA	1	EA
3	1	EA	1	EA	1	EA	1	EA	1	EA	1	EA
4	1	EA	1	EA	1	EA	1	EA	1	EA	1	EA
5	1	EA	1	EA	1	EA	1	EA	1	EA	1	EA
6	1	EA	1	EA	1	EA	1	EA	1	EA	1	EA
7	1	EA	1	EA	1	EA	1	EA	1	EA	1	EA
8	1	EA	1	EA	1	EA	1	EA	1	EA	1	EA
9	1	EA	1	EA	1	EA	1	EA	1	EA	1	EA
10	1	EA	1	EA	1	EA	1	EA	1	EA	1	EA
11	1	EA	1	EA	1	EA	1	EA	1	EA	1	EA
12	1	EA	1	EA	1	EA	1	EA	1	EA	1	EA
13	1	EA	1	EA	1	EA	1	EA	1	EA	1	EA
14	1	EA	1	EA	1	EA	1	EA	1	EA	1	EA
15	1	EA	1	EA	1	EA	1	EA	1	EA	1	EA
16	1	EA	1	EA	1	EA	1	EA	1	EA	1	EA
17	1	EA	1	EA	1	EA	1	EA	1	EA	1	EA
18	1	EA	1	EA	1	EA	1	EA	1	EA	1	EA
19	1	EA	1	EA	1	EA	1	EA	1	EA	1	EA
20	1	EA	1	EA	1	EA	1	EA	1	EA	1	EA
21	1	EA	1	EA	1	EA	1	EA	1	EA	1	EA
22	1	EA	1	EA	1	EA	1	EA	1	EA	1	EA
23	1	EA	1	EA	1	EA	1	EA	1	EA	1	EA
24	1	EA	1	EA	1	EA	1	EA	1	EA	1	EA
25	1	EA	1	EA	1	EA	1	EA	1	EA	1	EA
26	1	EA	1	EA	1	EA	1	EA	1	EA	1	EA
27	1	EA	1	EA	1	EA	1	EA	1	EA	1	EA
28	1	EA	1	EA	1	EA	1	EA	1	EA	1	EA
29	1	EA	1	EA	1	EA	1	EA	1	EA	1	EA
30	1	EA	1	EA	1	EA	1	EA	1	EA	1	EA
31	1	EA	1	EA	1	EA	1	EA	1	EA	1	EA
32	1	EA	1	EA	1	EA	1	EA	1	EA	1	EA
33	1	EA	1	EA	1	EA	1	EA	1	EA	1	EA
34	1	EA	1	EA	1	EA	1	EA	1	EA	1	EA
35	1	EA	1	EA	1	EA	1	EA	1	EA	1	EA
36	1	EA	1	EA	1	EA	1	EA	1	EA	1	EA
37	1	EA	1	EA	1	EA	1	EA	1	EA	1	EA
38	1	EA	1	EA	1	EA	1	EA	1	EA	1	EA
39	1	EA	1	EA	1	EA	1	EA	1	EA	1	EA
40	1	EA	1	EA	1	EA	1	EA	1	EA	1	EA
41	1	EA	1	EA	1	EA	1	EA	1	EA	1	EA
42	1	EA	1	EA	1	EA	1	EA	1	EA	1	EA
43	1	EA	1	EA	1	EA	1	EA	1	EA	1	EA
44	1	EA	1	EA	1	EA	1	EA	1	EA	1	EA
45	1	EA	1	EA	1	EA	1	EA	1	EA	1	EA
46	1	EA	1	EA	1	EA	1	EA	1	EA	1	EA
47	1	EA	1	EA	1	EA	1	EA	1	EA	1	EA

*NOTE: QUANTITIES SHOWN ARE ESTIMATES ONLY. THE CONTRACTOR IS RESPONSIBLE FOR PREPARING HIS OWN ESTIMATE FOR BID PURPOSES.

PIPELINE 1 AND PIPELINE 3 NOT A PART

GENERAL CONSTRUCTION NOTES

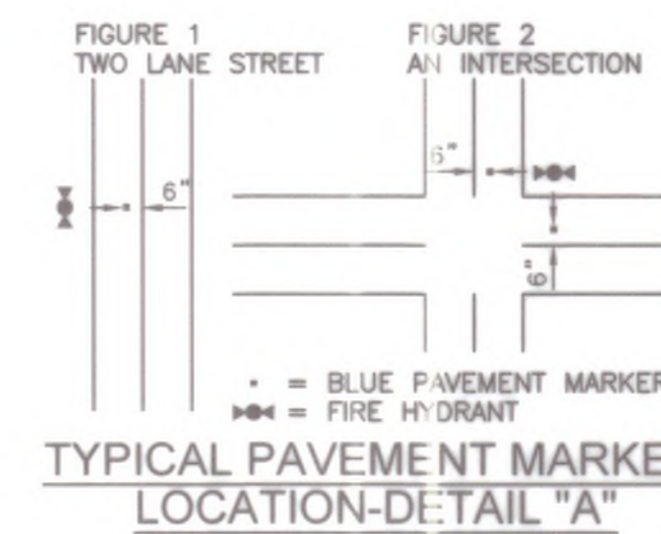
- ALL JOINTS AND FITTINGS TO BE MECHANICALLY RESTRAINED.
- ALL HYDRANT TEES SHALL BE FLANGED WITH FLGXMJ ADAPTERS.
- ALL JOINTS SHALL BE RESTRAINED WITH U.S. PIPE, "FIELD-LOK 350" GASKETS, MEGA LUGS (IF MECHANICAL JOINT) OR DISTRICT APPROVED EQUAL.
- ALL HYDRANT, DRAIN AND BLOW-OFF LATERALS SHALL HAVE RESTRAINED JOINTS.
- DOMESTIC WATER MAIN SHALL BE MINIMUM PRESSURE CL. 200 D.I.P. UNDER STORM DRAIN CROSSINGS. A 20 FOOT LENGTH OF D.I.P. AND STEEL SLEEVE SHALL BE CENTERED UNDER STORM DRAIN IN A STEEL SLEEVE SUCH THAT NO WATER MAIN JOINTS ARE WITHIN 4' OF THE OUTSIDE DIAMETER OF THE STORM DRAIN. THE VERTICAL CLEAR SEPARATION SHALL BE MINIMUM 1 FT.
- IF JOINTS CANNOT BE RESTRAINED BY OTHER MEANS, CONCRETE THRUST BLOCKS SHALL BE INSTALLED AT ALL DEAD ENDS, TEES, ELBOWS, BENDS, CROSSES, BLOWOFFS, DRAINS AND FIRE HYDRANTS SHOWN ON THE PLANS. THRUST BLOCKS SHALL ALSO BE INSTALLED AT DEAD END ELBOWS TO FIRE HYDRANTS. THRUST BLOCKS SHALL BE CONSTRUCTED PER DISTRICT STANDARDS AND SHALL CONFORM TO THE DIMENSIONS IN DISTRICT STANDARD PLATES NO. 11-1 AND 11-2. THRUST BLOCK BEARING AREA SHALL BE SCALED BASED ON THE SOIL BEARING CAPACITY IDENTIFIED IN THE SOILS REPORT. PIPELINE 1 = 2,200 PSF; PIPELINE 2 = 1,800 PSF; PIPELINE 3 = 2,000 PSF.
- ALL ASPHALT AND BASE COARSE SHOULD BE REPLACED IN KIND AND MATCH EXISTING THICKNESS. FOR THE PURPOSE OF BIDDING, ASSUME 4-INCH THICK BASE AND 4-INCH THICK ASPHALT.

SEQUENCE OF WORK

- ALL WORK SHALL BE SEQUENCED SUCH THAT EXISTING FACILITIES REMAIN IN SERVICE UNTIL FINAL CONNECTION IS MADE AND REPLACEMENT FACILITIES ARE COMPLETE.
- CONTRACTOR SHALL INSTALL NEW WATER MAINS AND TEST AND DISINFECT SAID WATER MAINS.
 - SHUT DOWN OF EXISTING WATER MAINS TO BE DONE DURING A PERIOD OF LOW DEMAND [NIGHT OR WINTER] AND SHALL BE SCHEDULED AND COORDINATED WITH DISTRICT STAFF.
 - CONTRACTOR SHALL SHUT DOWN EXISTING WATER LINE, DE-ENERGIZE AND DRAIN, THEN MAKE CONNECTION BETWEEN NEW AND EXISTING WATERLINES.
 - CONTRACTOR SHALL RE-ENERGIZE AND TEST FINAL CONNECTIONS.
 - CONTRACTOR SHALL REMOVE ALL EXISTING PIPELINE MATERIALS AND APPURTENANCES BETWEEN STA. 10+09.69± AND STA. 17+52.86± ALONG EGAN AVE. AS PART OF THESE PLANS.
 - CONTRACTOR TO OVER EXCAVATE AND RE-COMPACT AREA WHERE EXISTING WATER MAINS HAVE BEEN REMOVED.

NOTE: FINAL SEQUENCING ACTIVITY AND CONSTRUCTION SCHEDULE SHALL BE REVIEWED AND APPROVED BY THE DISTRICT PRIOR TO REMOVAL OF EXISTING PIPELINE.

METER NO.	METER SERIAL NO.	APN	ADDRESS	METER SIZE	CONSTRUCTION NOTES
1	49598155	401190016	40270 AVENIDA ALTEJO BELLA	1"	(2)
2	15196787	401190025	40335 AVENIDA ALTEJO BELLA	1"	(2)
3	0903553	401190025	40335 AVENIDA ALTEJO BELLA	2"	(2)
4	17885333	401190025	40335 AVENIDA ALTEJO BELLA	2"	(2)
5	15196787	401190030	40335 AVENIDA ALTEJO BELLA	5/8"	(2)
6	15005105	401200030	9050 WHISPERING PINES RD	1"	(2)
7	15196787	401200030	40323 AVENIDA ALTEJO BELLA	1"	(2)
8	18490129	401200031	40277 AVENIDA ALTEJO BELLA	1"	(2)
9	16289399	401040011	8620 APPLE TREE LN	5/8"	(2)
10	11208103	401040012	8600 APPLE TREE LN	5/8"	(2)
11	49715017	401040013	8623 APPLE TREE LN	1"	(2)
12	18632746	401040014	8649 APPLE TREE LN	5/8"	(2)
13	18667967	401040015	8675 APPLE TREE LN	1"	(2)
14	18967966	401040016	8701 APPLE TREE LN	1"	(2)
15	18686032	401040017	8705 APPLE TREE LN	1"	(2)
16	12165885	401040018	8717 APPLE TREE LN	1"	(2)
17	11208711	401040019	8721 APPLE TREE LN	3/4"	(2)
18	13203718	401040020	8735 APPLE TREE LN	3/4"	(2)
19	NO METER	401040021	-	-	-
20	11208410	401040023	8821 APPLE TREE LN	5/8"	(2)
21	18632734	401040024	8630 APPLE TREE LN	5/8"	(2)
22	18686033	401040026	8702 APPLE TREE LN	1"	(2)
23	18967990	401040027	8708 APPLE TREE LN	1"	(2)
24	18967991	401040028	8712 APPLE TREE LN	1"	(2)
25	18967988	401040029	8746 APPLE TREE LN	1"	(2)
26	16289465	401040030	8790 APPLE TREE LN	3/4"	(2)
27	11208712	401040031	8834 APPLE TREE LN	3/4"	(2)
28	13203712	401040032	8806 APPLE TREE LN	3/4"	(2)
29	15218400	417063002	251 W 6TH ST	5/8"	(2)
30	108011	417063002	251 W 6TH ST	5/8"	(2)
31	43184	417063003	299 E 6TH ST	1"	(2)
32	108020	417063004	531 GRACE AVE	5/8"	(2)
33	95407131	417063011	500 EGAN AVE	1"	(2)
34	108014	417063011	500 EGAN AVE	5/8"	(2)
35	108081	417063001	635 N CALIFORNIA AVE	5/8"	(2)
36	17917506	417063002	210 W 6TH ST	1"	(2)
37	108017	417063003	251 W 6TH ST	5/8"	(2)
38	15002120	417063004	616 EGAN AVE	5/8"	(2)
39	108640	417063005	622 EGAN AVE	5/8"	(2)
40	108632	417063005	636 EGAN AVE	5/8"	(2)
41	108638	417063007	644 EGAN AVE	5/8"	(2)
42	108085	417063008	652 EGAN AVE	5/8"	(2)
43	108084	417063009	207 W 7TH ST	5/8"	(2)
44	108083	417063010	205 W 7TH ST	5/8"	(2)
45	108028	417063011	655 N CALIFORNIA AVE	5/8"	(2)
46	16289487	417063002	210 W 6TH ST FIRE	3/4"	(2)



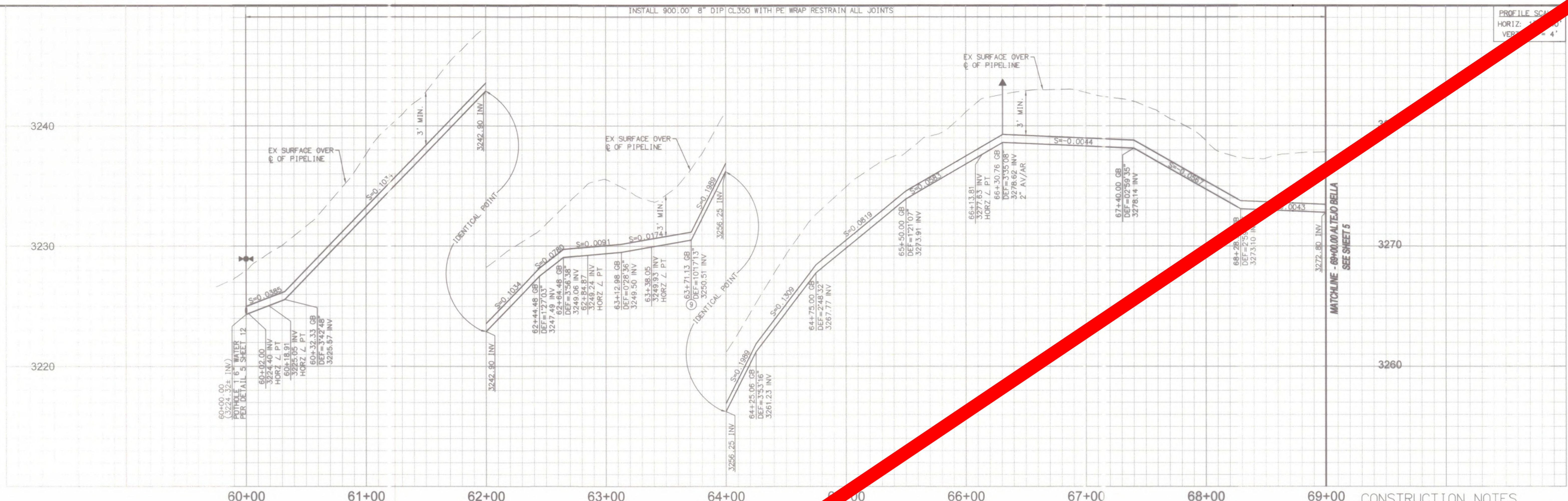
WATER NOTES

- ALL WORK SHOWN ON THESE PLANS SHALL BE PERFORMED IN ACCORDANCE WITH THE "DISTRICT STANDARDS FOR THE FURNISHING OF MATERIALS AND THE CONSTRUCTION OF WATER FACILITIES AND RECYCLED WATER", LATEST REVISION, AND THE ADOPTED ADDENDUMS THERETO.
- WORK SHALL BE PERFORMED BY A CONTRACTOR LICENSED IN THE STATE OF CALIFORNIA, EXPERIENCED IN WATER UTILITY CONSTRUCTION.
- UNLESS OTHERWISE INDICATED, ALL PIPE SHALL BE CEMENT MORTAR LINED DUCTILE IRON PIPE, MINIMUM PRESSURE CLASS 350, WITH RESTRAINED PUSH-ON JOINTS. ALL PIPES SHALL BE INSTALLED WITH V-BIO ENHANCED POLYETHYLENE ENCASEMENT OR APPROVED EQUAL AND TRACER WIRE. TRACER WIRE SHALL BE 14-GAUGE, INSULATED (BLUE COLOR) SOLID COPPER WIRE.
- FOR SEPARATION REQUIREMENTS BETWEEN WATER AND RECYCLED WATER, STORM DRAIN AND SEWER LINES, SEE STATE OF CALIFORNIA, CODE OF REGULATIONS, TITLE 22, SECTION 64572.
- CONTRACTOR SHALL CONTACT UNDERGROUND SERVICE ALERT OF SOUTHERN CALIFORNIA (TELEPHONE NO. 1-800-227-2600) FOR LOCATION OF ALL UNDERGROUND UTILITIES TWO WORKING DAYS PRIOR TO COMMENCING WORK.
- CONTRACTOR SHALL OBTAIN NECESSARY PERMITS FROM CITY OF BEAUMONT AND/OR RIVERSIDE COUNTY, AS APPROPRIATE, PRIOR TO CONSTRUCTION.
- ALL FIRE HYDRANTS SHALL BE TYPE JONES 3765, 6" x 4" x 2.5" x 2.5" OUTLET AND SHALL BE INSTALLED IN ACCORDANCE WITH DISTRICT STANDARD PLATE NO. 1, AND PLATE NO. 2.
- CONTRACTOR SHALL NOTIFY THE DISTRICT AT (951) 845-9581 TWO WORKING DAYS PRIOR TO COMMENCING WORK ON THE WATER UTILITY INSTALLATION. CONTRACTOR SHALL NOTIFY DISTRICT BY PRECEDING WEDNESDAY AT 4:00 P.M. PRIOR TO WORKING DURING THE WEEKEND. CANCELLATIONS SHALL BE NOTIFIED TO THE DISTRICT BY PRECEDING FRIDAY AT 3:00 P.M.
- NO EXISTING DISTRIBUTION SYSTEM VALVE SHALL BE OPERATED BY THE CONTRACTOR. DISTRICT PERSONNEL WILL OPERATE ALL NECESSARY VALVES.
- NO DEVIATIONS FROM THESE PLANS SHALL BE PERMITTED WITHOUT THE APPROVAL OF THE DISTRICT.
- EXISTING WATER MAINS SHALL NOT BE TAKEN OUT OF SERVICE FOR MORE THAN 4 HOURS. CONTRACTOR SHALL NOTIFY ALL WATER USERS AFFECTED BY THE SHUTDOWN A MINIMUM OF 48 HOURS PRIOR TO THE ACTUAL SHUTDOWN. INDICATE THE DATE AND PRECISE HOURS THAT THE MAIN WILL BE TAKEN OUT OF SERVICE.
- CONTRACTOR SHALL CONFORM TO THE STREET EXCAVATION REPLACEMENT STANDARDS OF THE CITY OF BEAUMONT OR RIVERSIDE COUNTY WHICHEVER HAS JURISDICTION.
- CONTRACTOR SHALL NOTIFY THE DISTRICT AT (951) 845-9581 TWO WORKING DAYS PRIOR TO PLACEMENT OF CONCRETE FOR SIDEWALKS.
- AIR AND VACUUM RELEASE ASSEMBLIES PER DISTRICT STANDARD PLATE NO. 5-1 AND 5-2 SHALL BE INSTALLED AT ALL HIGH POINTS ON THE WATER MAIN. ADDITIONAL ASSEMBLIES OVER THOSE SHOWN ON THE DRAWINGS MAY BE NECESSARY WHEN SUBSTRUCTURES REQUIRE A CHANGE IN LINE OR GRADE OF THE WATER LINE. 2" AIR VALVE PIPING SHALL BE TAPE WRAPPED PER NOTE 15, HERON.
- CONTRACTOR TO INSTALL MINIMUM 1" COPPER, TYPE K, SERVICE LATERALS IN ACCORDANCE WITH DISTRICT SPECIFICATIONS SHOWN ON DISTRICT STANDARD PLATE 6-2, 6-3 AND PLATE 12. ALL COPPER SERVICES SHALL BE INSTALLED WITH TAPE WRAP OR WITH POLYETHYLENE ENCASEMENT.
- THE CONTRACTOR SHALL COORDINATE ALL RECONNECTS WITH DISTRICT PERSONNEL PRIOR TO ANY CONNECTIONS OR RETIREMENTS OF ANY DISTRICT FACILITIES.
- CONTRACTOR SHALL RESTRAIN ALL JOINTS AT TEES, ELBOWS, DEAD ENDS, ETC. AS INDICATED ON THE PLANS AS A MINIMUM. SEE GENERAL CONSTRUCTION NOTE 6 ON THIS SHEET.
- CONTRACTOR SHALL BEAR ALL COSTS FOR THE CORRECTION OR REMOVAL AND REPLACEMENT OF DEFECTIVE WORK, AND ALL ADDITIONAL DIRECT AND INDIRECT COSTS THE CITY, COUNTY OR DISTRICT MAY INCUR ON ACCOUNT OF DEFECTIVE WORK, INCLUDING THE COSTS OF ADDITIONAL ADMINISTRATIVE, PROFESSIONAL CONSULTANT, INSPECTION, TESTING AND OTHER SERVICES.
- CONTRACTOR SHALL INSTALL BLUE REFLECTIVE PAVEMENT MARKERS IN ACCORDANCE WITH THE RIVERSIDE COUNTY FIRE DEPARTMENT "GUIDELINES FOR FIRE HYDRANT MARKINGS" LATEST REVISION AND DETAIL "A" HEREON.
- ALL FIRE HYDRANT BARRELS ARE TO BE CHROME YELLOW WITH TOPS AND NOZZLE CAPS PAINTED WITH THE FOLLOWING CAPACITY-INDICATING COLOR SCHEME; CLASS-A GREEN.
- ALL PIPE SHALL BE HYDRO TESTED, DISINFECTED AND APPROVED PRIOR TO FINAL CONNECTION TO EXISTING WATER LINES.
- BASIS OF WATERLINE STATIONING SHALL BE ALONG PIPELINE CENTERLINE, UNLESS OTHERWISE NOTED.
- ALL MATERIALS SHALL BE OF DOMESTIC ORIGIN AND NOT OF FOREIGN MANUFACTURE.
- CONTRACTOR SHALL FURNISH TO THE DISTRICT ELECTRONIC FILES IN AUTOCAD FORMAT OF THE SIGNED AND APPROVED "RECORD DRAWINGS" AND GIS DIGITAL DATA DEFINITION TABLES, PER DISTRICT STANDARDS, PRIOR TO FINAL ACCEPTANCE OF THE WORK.
- CONTRACTOR SHALL FURNISH TO THE DISTRICT COPIES OF ALL SOILS COMPACTION TEST REPORTS FOR THE INSTALLED WATER MAINS TWO (2) WORKING DAYS PRIOR TO THE HYDRO TESTING OF PIPELINES.
- CONTRACTOR SHALL FURNISH TO THE DISTRICT INTERSECT TIE PLATES IN ACCORDANCE WITH DISTRICT STANDARDS PLATE NO. D-2 FOR ALL VALVE LOCATIONS PRIOR TO FINAL ACCEPTANCE OF THE WORK.
- CONTRACTOR SHALL FURNISH DISTRICT WITH PROJECT SPECIFIC MATERIALS OF CONSTRUCTION SUBMITTALS (IN PDF FORMAT) FOR REVIEW APPROVAL PRIOR TO COMMENCING CONSTRUCTION.
- CONTRACTOR SHALL KEEP AND MAINTAIN AT THE JOB SITE ONE (1) SET OF RECORD DRAWINGS. CONTRACTOR SHALL MARK ON DRAWINGS ALL CHANGES IN PROJECT CONDITIONS, LOCATIONS, CONFIGURATIONS AND ALL DEVIATIONS WHICH MAY VARY FROM THE DRAWINGS. THESE MASTER RECORD DRAWINGS SHALL BE MAINTAINED UP TO DATE DURING THE PROGRESS OF WORK. RECORD DRAWINGS SHALL BE ACCESSIBLE TO THE DISTRICT AT ALL TIMES DURING CONSTRUCTION AND A COPY OF SAID RECORD DRAWINGS SHALL BE DELIVERED TO THE DISTRICT UPON COMPLETION OF THE WORK.
- TRENCH WORK DISTURBING A LANE IN THE COUNTY MAINTAINED ROAD SYSTEM, SHOULD BE MILLED AND FILLED WITH 0.1' HMA AND OVERLAYING PERPENDICULAR TRENCH INSTALLATIONS PER STANDARD 818, FLUSH WITH THE EXISTING PAVEMENT.

MS0483 / IP200048

THE PRIVATE ENGINEER SIGNING THESE PLANS IS RESPONSIBLE FOR ASSURING THE ACCURACY AND ACCEPTABILITY OF THE DESIGN HEREON. IN THE EVENT OF DISCREPANCIES ARISING AFTER BCVWD APPROVAL OR DURING CONSTRUCTION, THE PRIVATE ENGINEER SHALL BE RESPONSIBLE FOR DETERMINING AN ACCEPTABLE SOLUTION AND REVISING THE PLANS FOR APPROVAL BY THE BCVWD.





NOT A PART



CONSTRUCTION NOTES

- INSTALL 8" DUCTILE IRON PIPE (CLASS 350) AND BEDDING PER BCVWD PLATE 6-1 (36" MIN COVER)
- INSTALL 1" COPPER SERVICE LINE, TYPE K, PER BCVWD PLATE 6-2 AND 6-3
- INSTALL TYPE JONES 3765 WET BARREL FIRE HYDRANT ASSEMBLY INCLUDING VALVE AND FITTINGS PER BCVWD PLATE 1
- INSTALL 2" AIR AND VACUUM ASSEMBLY PER BCVWD PLATE 5-1
- INSTALL 8" 45° BEND, RESTRAINED
- INSTALL 8" 22.5° BEND, RESTRAINED
- INSTALL 8" 11.25° BEND, RESTRAINED
- INSTALL 8" FLANGED GATE VALVE PER BCVWD PLATE 2
- INSTALL 8" BLIND FLANGE
- INSTALL 8"x6" FLANGED TEE
- INSTALL BOLLARD AT LOCATIONS SHOWN ON PLAN PER DETAIL 4 SHEET 13
- ASPHALT AND CONCRETE REMOVAL AND REPLACEMENT

- NOTE:
- THE CONTRACTOR WILL BE REQUIRED TO ADJUST THE WATER LINE GRADE TO AVOID CONFLICTS WITH THE EXISTING SEWER SERVICES. ALL COSTS FOR ADJUSTMENTS TO WATER LINE GRADE SHALL BE CONSIDERED TO BE INCLUDED IN THE BASE BID FOR THE WATER LINE INSTALLATION.
 - THE CONTRACTOR WILL BE REQUIRED TO VERIFY LOCATION OF ALL EXISTING SERVICE LATERALS TO EACH PROPERTY.
 - THE CONTRACTOR SHALL BE REQUIRED TO REPAIR AND REPLACE ALL DAMAGED FENCE AND LANDSCAPING IN KIND DURING CONSTRUCTION. THE CONTRACTOR SHALL NOTIFY THE DISTRICT IF ANY DAMAGE TO PRIVATE IRRIGATION LINES ARE DAMAGED. THE DISTRICT WILL MAKE REPAIRS AT THE CONTRACTORS EXPENSE.
 - THE REMOVAL OF LANDSCAPING, FENCING, AND OTHER RESIDENTIAL IMPROVEMENTS ARE REQUIRED IN SOME LOCATIONS FOR PROPOSED WATER LINE IMPROVEMENTS. THE EXTENT OF THE REMOVAL SHALL BE DETERMINED BY THE CONTRACTOR BASED ON FIELD CONDITIONS AT THE TIME OF CONSTRUCTION AND THE MEANS AND METHODS OF THE INSTALLING CONTRACTOR. ALL EXISTING IMPROVEMENTS SHALL BE DOCUMENTED WITH PRECONSTRUCTION PHOTOGRAPHS BY THE CONTRACTOR AND RESTORED TO LIKE-NEW CONDITION AND TO THE SATISFACTION OF THE DISTRICT. NOT ALL LOCATIONS ARE SPECIFICALLY IDENTIFIED ON PLANS.
 - SOME SEGMENTS OF THE REPLACEMENT PIPELINE ARE PLACED ON PRIVATE PROPERTY. THE CONTRACTOR SHALL COORDINATE WITH THE DISTRICT PRIOR TO CONSTRUCTION TO VERIFY AGREEMENTS AND EASEMENT LOCATIONS, AND FOR COORDINATION WITH THE PROPERTY OWNERS PRIOR TO ANY CONSTRUCTION ACTIVITY ON PRIVATE PROPERTY.

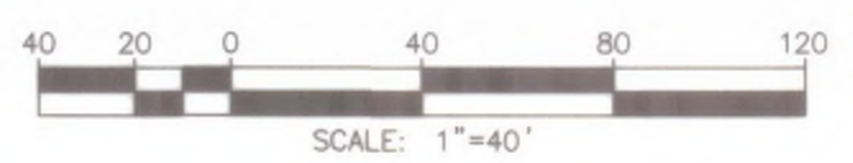
LINE/CURVE DATA TABLE

NO	BEARING/DELTA	RADIUS	LENGTH	ANGENT	NOTE
1	N75°16'26"W	---	2.00'	---	8" DIP WATER
2	N86°41'09"W	---	16.91'	---	8" DIP WATER
3	N72°11'43"E	---	111.43'	---	8" DIP WATER
4	N89°04'52"W	---	111.65'	---	8" DIP WATER
5	N77°49'52"W	---	42.88'	---	8" DIP WATER
6	N45°55'08"E	---	53.18'	---	8" DIP WATER
7	N89°04'52"W	---	275.76'	---	8" DIP WATER
8	N65°52'18"E	---	126.19'	---	8" DIP WATER
9	N54°36'46"E	---	160.00'	---	8" DIP WATER

THE PRIVATE ENGINEER SIGNING THESE PLANS IS RESPONSIBLE FOR ASSURING THE ACCURACY AND ACCEPTABILITY OF THE DESIGN HEREON. IN THE EVENT OF DISCREPANCIES ARISING AFTER BCVWD APPROVAL OR DURING CONSTRUCTION, THE PRIVATE ENGINEER SHALL BE RESPONSIBLE FOR DETERMINING AN ACCEPTABLE SOLUTION AND REVISIONS TO THE PLANS FOR APPROVAL BY THE BCVWD.



NOTE:
WORK CONTAINED WITHIN THESE PLANS SHALL NOT COMMENCE UNTIL AN ENCROACHMENT PERMIT HAS BEEN OBTAINED.



DIGIART
DIAL TOLL FREE
(800) 227-2600
At Least Two Working Days Before You Dig
UNDERGROUND SERVICE ALERT OF SOUTHERN CALIFORNIA

BASIS OF BEARINGS:
DESCRIPTION: CALIFORNIA COORDINATE SYSTEM, ZONE VI, NAD83 (EPOCH 2010.00) AS DETERMINED LOCALLY BY A LINE BETWEEN CORNERS P584 AND MLFP BEING NB4+41-07.39W AS DERIVED FROM GEODETIC VALUES PUBLISHED BY CSRC AND/OR NGS, RESPECTIVELY.

BENCHMARK: BM NO. C-2-4
DESCRIPTION: BRASS DISK STAMPED "C-2-4-65" ON NORTHWEST WINGWALL AT THE SOUTHWEST CORNER OF BROOKSIDE AVENUE AND CHERRY AVENUE

DATUM = NGVD 29
ELEV. = 2758.083'

BY	MARK	DESCRIPTION	APPR.	DATE
ENGINEER		REVISIONS		CITY

Michael Baker INTERNATIONAL
40810 COUNTY CENTER DR., SUITE 200
TEMECULA, CA 92591
PHONE: (951) 676-8042
MBAKERINTL.COM

DESIGN BY: MJB
DRAIN BY: JDC, IA
CHECKED BY: MJB
SCALE: PER PLAN
DATE: NOV. 2018
JOB NUMBER: 164160

DATE: 1/15/2021
R.C.E. 87843

MILES M. COSTANZA

BEAUMONT - CHERRY VALLEY WATER DISTRICT
Riverside County, California

Approved By: *[Signature]* Date: 1/23/21
MARK SWANSON
District Engineer
R.C.E. No. 72332

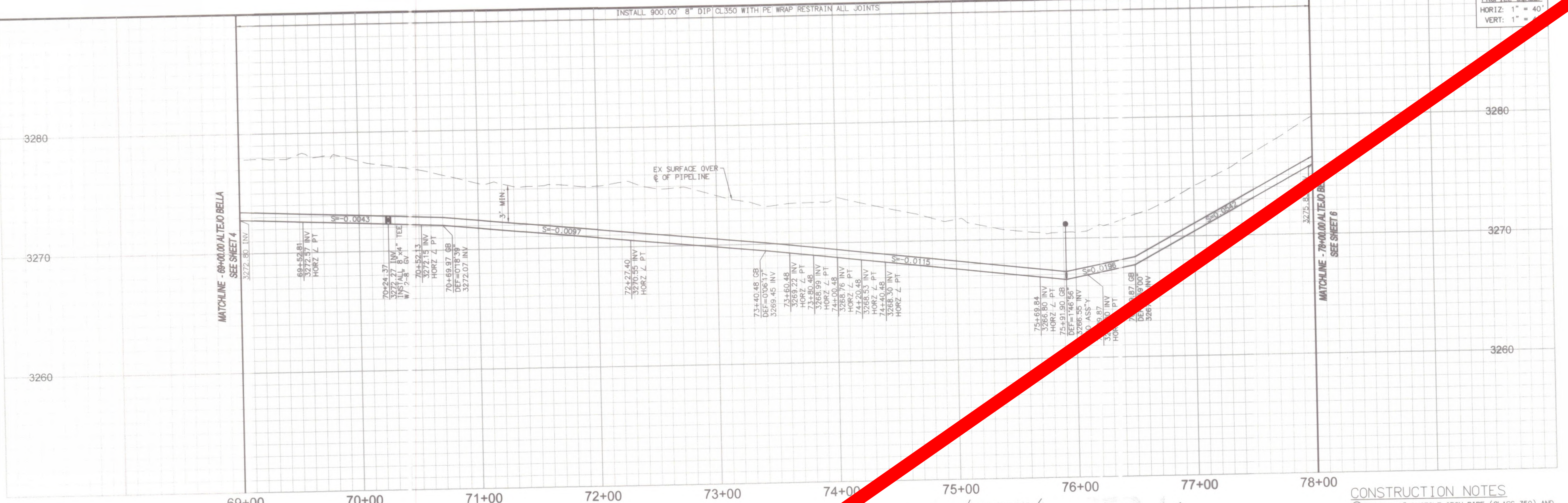
CITY OF BEAUMONT, CALIFORNIA
WATER PIPELINE REPLACEMENT PROJECTS
P-3620-0012 AVE ALTEJO BELLA, AVENIDA MIRAVILLA TO END OF CUL-DE-SAC
PIPELINE 1 AVE ALTEJO BELLA
STA. 60+00.00 TO STA. 69+00.00
A PORTION OF SECTIONS 22 & 23, T.2 S., R.1 W., S.B.M.

MS0483 / IP200048 PZ3620

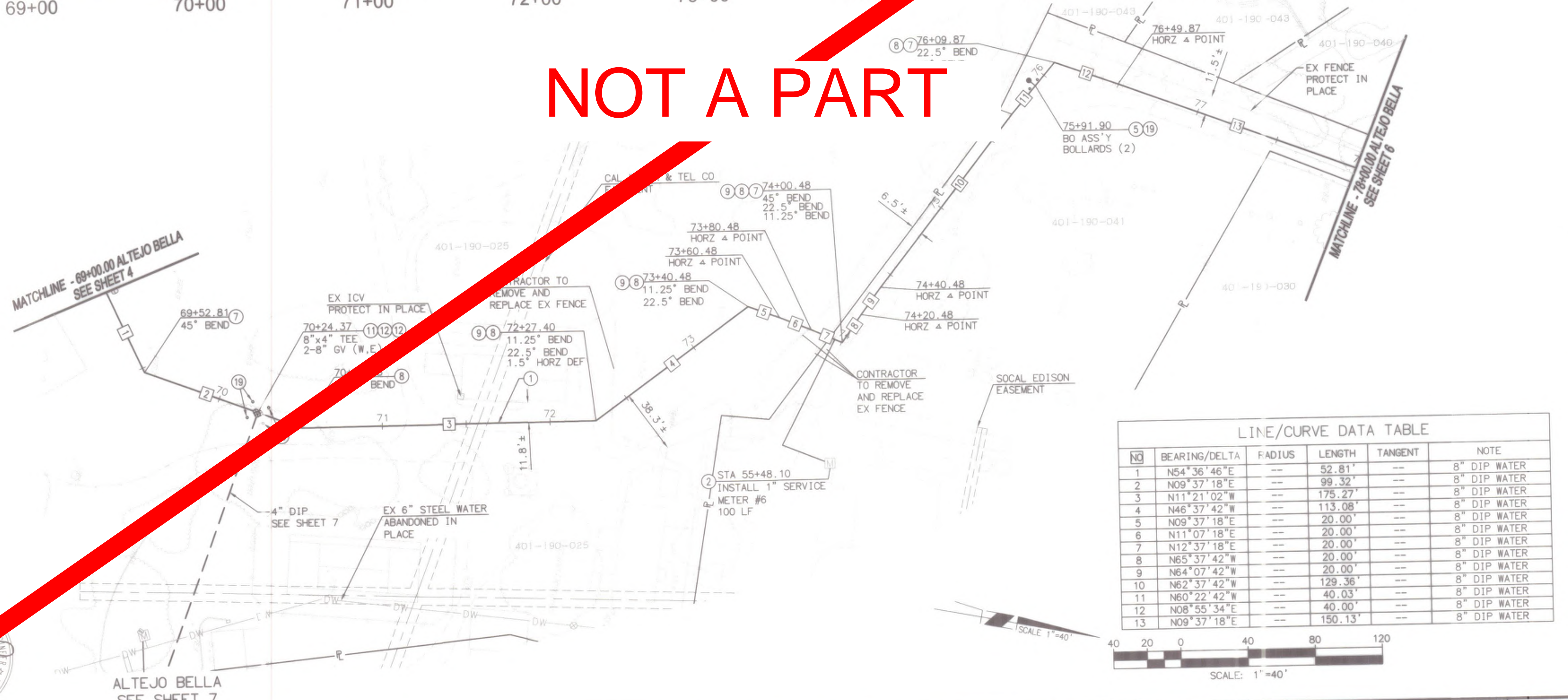
SHEET 4 OF 14 SHEETS
FILE NO.: 969X

PROFILE SCALE:
 HORIZ: 1" = 40'
 VERT: 1" = 10'

INSTALL 900.00' 8" DIP CL350 WITH PE WRAP RESTRAIN ALL JOINTS



NOT A PART

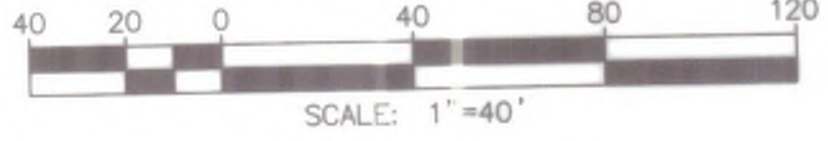


- CONSTRUCTION NOTES**
- INSTALL 8" DUCTILE IRON PIPE (CLASS 350) AND BEDDING PER BCVWD PLATE 6-1 (36" MIN COVER)
 - INSTALL 1" COPPER SERVICE LINE, TYPE K, PER BCVWD PLATE 6-2 AND 6-3
 - INSTALL BLOW OFF ASSEMBLY AT LOCATIONS SHOWN ON PLAN PER DETAIL 6 SHEET 13
 - INSTALL 8" 45° BEND, RESTRAINED
 - INSTALL 8" 22.5° BEND, RESTRAINED
 - INSTALL 8" 11.25° BEND, RESTRAINED
 - INSTALL 8"x4" FLANGED TEE
 - INSTALL 8" FLANGED GATE VALVE PER BCVWD PLATE 2
 - INSTALL BOLLARD AT LOCATIONS SHOWN ON PLAN PER DETAIL 4 SHEET 13

- NOTE:**
- THE CONTRACTOR WILL BE REQUIRED TO ADJUST THE WATER LINE GRADE TO AVOID CONFLICTS WITH THE EXISTING SEWER SERVICES. ALL COSTS FOR ADJUSTMENTS TO WATER LINE GRADE SHALL BE CONSIDERED TO BE INCLUDED IN THE BASE BID FOR THE WATER LINE INSTALLATION.
 - THE CONTRACTOR WILL BE REQUIRED TO VERIFY LOCATION OF ALL EXISTING SERVICE LATERALS TO EACH PROPERTY.
 - THE CONTRACTOR SHALL BE REQUIRED TO REPAIR AND REPLACE ALL DAMAGED FENCE AND LANDSCAPING IN KIND DURING CONSTRUCTION. THE CONTRACTOR SHALL NOTIFY THE DISTRICT IF ANY DAMAGE TO PRIVATE IRRIGATION LINES ARE DAMAGED. THE DISTRICT WILL MAKE REPAIRS AT THE CONTRACTORS EXPENSE.
 - THE REMOVAL OF LANDSCAPING, FENCING, AND OTHER RESIDENTIAL IMPROVEMENTS ARE REQUIRED IN SOME LOCATIONS FOR PROPOSED WATER LINE IMPROVEMENTS. THE EXTENT OF THE REMOVAL SHALL BE DETERMINED BY THE CONTRACTOR BASED ON FIELD CONDITIONS AT THE TIME OF CONSTRUCTION AND THE MEANS AND METHODS OF THE INSTALLING CONTRACTOR. ALL EXISTING IMPROVEMENTS SHALL BE DOCUMENTED WITH PRECONSTRUCTION PHOTOGRAPHS BY THE CONTRACTOR AND RESTORED TO LIKE-NEW CONDITION AND TO THE SATISFACTION OF THE DISTRICT. NOT ALL LOCATIONS ARE SPECIFICALLY IDENTIFIED ON PLANS.
 - SOME SEGMENTS OF THE REPLACEMENT PIPELINE ARE PLACED ON PRIVATE PROPERTY. THE CONTRACTOR SHALL COORDINATE WITH THE DISTRICT PRIOR TO CONSTRUCTION TO VERIFY AGREEMENTS AND EASEMENT LOCATIONS, AND FOR COORDINATION WITH THE PROPERTY OWNERS PRIOR TO ANY CONSTRUCTION ACTIVITY ON PRIVATE PROPERTY.

LINE/CURVE DATA TABLE

NO	BEARING/DELTA	FADIUS	LENGTH	TANGENT	NOTE
1	N54°36'46"E	---	52.81'	---	8" DIP WATER
2	N09°37'18"E	---	99.32'	---	8" DIP WATER
3	N11°21'02"W	---	175.27'	---	8" DIP WATER
4	N46°37'42"W	---	113.08'	---	8" DIP WATER
5	N09°37'18"E	---	20.00'	---	8" DIP WATER
6	N11°07'18"E	---	20.00'	---	8" DIP WATER
7	N12°37'18"E	---	20.00'	---	8" DIP WATER
8	N65°37'42"W	---	20.00'	---	8" DIP WATER
9	N64°07'42"W	---	20.00'	---	8" DIP WATER
10	N62°37'42"W	---	129.36'	---	8" DIP WATER
11	N60°22'42"W	---	40.03'	---	8" DIP WATER
12	N08°55'34"E	---	40.00'	---	8" DIP WATER
13	N09°37'18"E	---	150.13'	---	8" DIP WATER



THE PRIVATE ENGINEER SIGNING THESE PLANS IS RESPONSIBLE FOR ASSURING THE ACCURACY AND ACCEPTABILITY OF THE DESIGN HEREON. IN THE EVENT OF DISCREPANCIES ARISING AFTER BCVWD APPROVAL OR DURING CONSTRUCTION, THE PRIVATE ENGINEER SHALL BE RESPONSIBLE FOR DETERMINING AN ACCEPTABLE SOLUTION AND REVISING THE PLANS FOR APPROVAL BY THE BCVWD.

NOTE:
 WORK CONTAINED WITHIN THESE PLANS SHALL NOT COMMENCE UNTIL AN ENCROACHMENT PERMIT HAS BEEN ISSUED.

DIGALERT
 DIAL TOLL FREE (800) 227-2600
 At Least Two Working Days Before You Dig
 BACKGROUND SERVICE ALERT OF SOUTHERN CALIFORNIA



BASIS OF BEARINGS:
 DESCRIPTION: CALIFORNIA COORDINATE SYSTEM, ZONE VI, NAD83 (EPOCH 2010.00) AS DETERMINED LOCALLY BY A LINE BETWEEN CORNERS P584 AND MLFP BEING N84-41-07.39W AS DERIVED FROM GEODETIC VALUES PUBLISHED BY CSRC AND/OR NGS, RESPECTIVELY.

BENCHMARK: BM NO. C-2-4
 DESCRIPTION: BRASS DISK STAMPED "C-2-4-65" ON NORTHWEST WINGWALL AT THE SOUTHWEST CORNER OF BROOKSIDE AVENUE AND CHERRY AVENUE

DATUM = NGVD 29
 ELEV. = 2758.083'

BY	MARK	DESCRIPTION	APPR.	DATE
ENGINEER		REVISIONS		CITY

Michael Baker INTERNATIONAL
 40810 COUNTY CENTER DR., SUITE 200
 TEMECULA, CA 92591
 PHONE: (951) 676-8042
 MBAKERINTL.COM

DESIGN BY: MJB
 DRAIN BY: JDC, IA
 CHECKED BY: MJB
 SCALE: PER PLAN
 DATE: NOV. 2018
 JOB NUMBER: 164160

DATE: 1/15/2021
 R.C.E. 87843

Approved: *Mark Swanson*
 MARK SWANSON
 District Engineer
 R.C.E. No. 72332

BEAUMONT - CHERRY VALLEY WATER DISTRICT
 Riverside County, California

Approved: *Mark Swanson* Date: 1/23/21

CITY OF BEAUMONT, CALIFORNIA
 WATER PIPELINE REPLACEMENT PROJECTS
 P-3620-0012 AVE ALTEJO BELLA, AVENIDA MIRAVILLA TO END OF CUL-DE-SAC

PIPELINE 1 AVE ALTEJO BELLA
 STA. 69+00.00 TO STA. 78+00.00

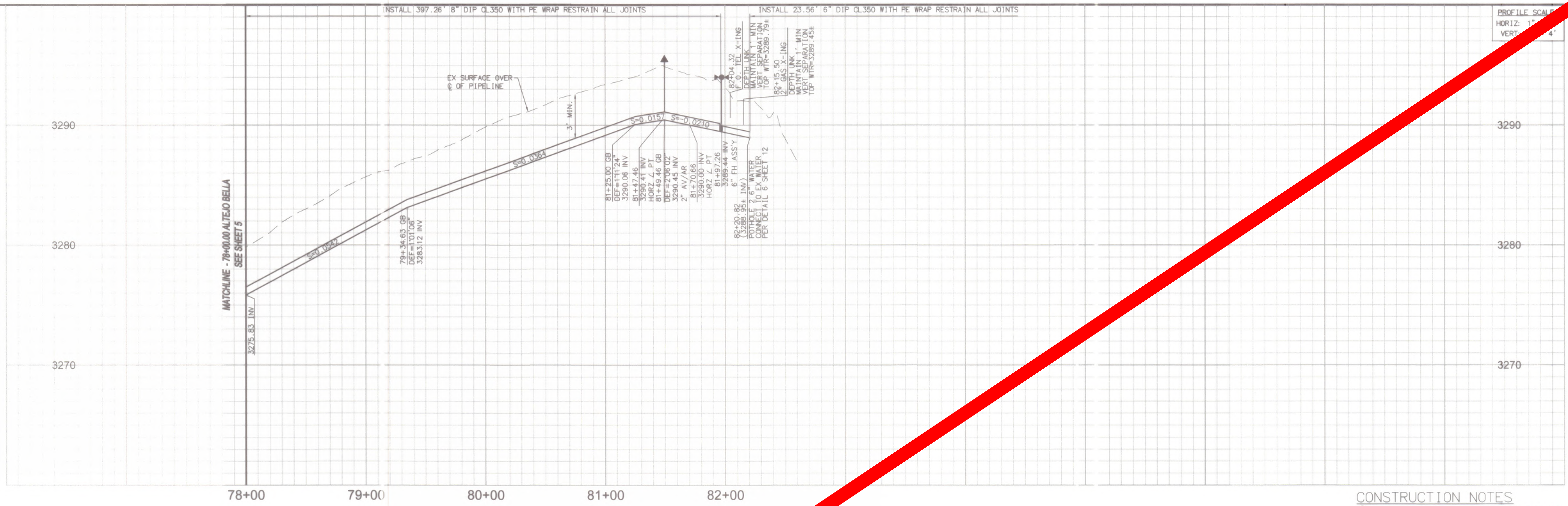
A PORTION OF SECTIONS 22 & 23, T.2 S., R.1 W., S.B.M.

FOR: BCVWD

MS0483 / IP200048
 PZ3620

SHEET
5
 OF 14 SHEETS
 FILE NO.: 969X

PROFILE SCALE
HORIZ: 1" = 4'
VERT: 1" = 4'



NOT A PART

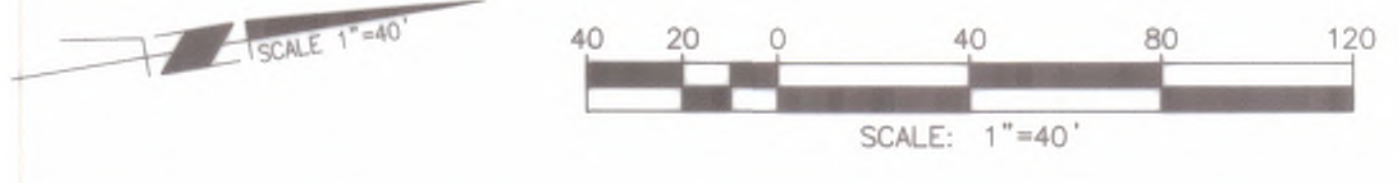


- CONSTRUCTION NOTES**
- ① INSTALL 8" DUCTILE IRON PIPE (CLASS 350) AND BEDDING PER BCVMD PLATE 6-1 (36" MIN COVER)
 - ② INSTALL 2" AIR AND VACUUM ASSEMBLY PER BCVMD PLATE 5-1
 - ③ INSTALL TYPE JONES 3765 WET BARREL FIRE HYDRANT ASSEMBLY INCLUDING VALVE AND FITTINGS PER BCVMD PLATE 1
 - ④ INSTALL 8" 45° BEND, RESTRAINED
 - ⑤ INSTALL 8" 22.5° BEND, RESTRAINED
 - ⑥ INSTALL 8" 11.25° BEND, RESTRAINED
 - ⑦ INSTALL BOLLARD AT LOCATIONS SHOWN ON PLAN PER DETAIL 4 SHEET 13
 - ⑧ INSTALL 8"x6" ECCENTRIC REDUCER
 - ⑨ ASPHALT AND CONCRETE REMOVAL AND REPLACEMENT
 - ⑩ INSTALL 6" FLANGED TEE
 - ⑪ INSTALL 6" DUCTILE IRON PIPE (CLASS 350) AND BEDDING PER BCVMD PLATE 6-1 (36" MIN COVER)

- NOTE:**
1. THE CONTRACTOR WILL BE REQUIRED TO ADJUST THE WATER LINE GRADE TO AVOID CONFLICTS WITH THE EXISTING SEWER SERVICES. ALL COSTS FOR ADJUSTMENTS TO WATER LINE GRADE SHALL BE CONSIDERED TO BE INCLUDED IN THE BASE BID FOR THE WATER LINE INSTALLATION.
 2. THE CONTRACTOR WILL BE REQUIRED TO VERIFY LOCATION OF ALL EXISTING SERVICE LATERALS TO EACH PROPERTY.
 3. THE CONTRACTOR SHALL BE REQUIRED TO REPAIR AND REPLACE ALL DAMAGED FENCE AND LANDSCAPING IN KIND DURING CONSTRUCTION. THE CONTRACTOR SHALL NOTIFY THE DISTRICT IF ANY DAMAGE TO PRIVATE IRRIGATION LINES ARE DAMAGED. THE DISTRICT WILL MAKE REPAIRS AT THE CONTRACTOR'S EXPENSE.
 4. THE REMOVAL OF LANDSCAPING, FENCING, AND OTHER RESIDENTIAL IMPROVEMENTS ARE REQUIRED IN SOME LOCATIONS FOR PROPOSED WATER LINE IMPROVEMENTS. THE EXTENT OF THE REMOVAL SHALL BE DETERMINED BY THE CONTRACTOR BASED ON FIELD CONDITIONS AT THE TIME OF CONSTRUCTION AND THE MEANS AND METHODS OF THE INSTALLING CONTRACTOR. ALL EXISTING IMPROVEMENTS SHALL BE DOCUMENTED WITH PRECONSTRUCTION PHOTOGRAPHS BY THE CONTRACTOR AND RESTORED TO LIKE-NEW CONDITION AND TO THE SATISFACTION OF THE DISTRICT. NOT ALL LOCATIONS ARE SPECIFICALLY IDENTIFIED ON PLANS.
 5. SOME SEGMENTS OF THE REPLACEMENT PIPELINE ARE PLACED ON PRIVATE PROPERTY. THE CONTRACTOR SHALL COORDINATE WITH THE DISTRICT PRIOR TO CONSTRUCTION TO VERIFY AGREEMENTS AND EASEMENT LOCATIONS, AND FOR COORDINATION WITH THE PROPERTY OWNERS PRIOR TO ANY CONSTRUCTION ACTIVITY ON PRIVATE PROPERTY.
 6. EXISTING USA LOCATIONS MARKS IDENTIFIED A POSSIBLE DUCT BANK OVER THE WATER LINE. DUCT BANK WAS NOT ENCOUNTERED DURING POTHOLE EXPLORATION. CONTRACTOR TO VERIFY EXISTING UTILITIES AND PROCEED WITH CAUTION.

LINE/CURVE DATA TABLE

NO	BEARING/DELTA	RADIUS	LENGTH	TANGENT	NOTE
1	N09°37'18"E	---	347.46'	---	8" DIP WATER
2	N57°52'42"W	---	23.20'	---	8" DIP WATER
3	N89°34'15"W	---	50.16'	---	8" DIP WATER



THE PRIVATE ENGINEER SIGNING THESE PLANS IS RESPONSIBLE FOR ASSURING THE ACCURACY AND ACCEPTABILITY OF THE DESIGN HEREON. IN THE EVENT OF DISCREPANCIES ARISING AFTER BCVMD APPROVAL OR DURING CONSTRUCTION, THE PRIVATE ENGINEER SHALL BE RESPONSIBLE FOR DETERMINING AN ACCEPTABLE SOLUTION AND REVISIONS TO THE PLANS FOR APPROVAL BY THE BCVMD.



DIGART
DIAL TOLL FREE
(800) 227-2600
At Least Two Working Days Before You Dig
UNDERGROUND SERVICE ALERT OF SOUTHERN CALIFORNIA

BASIS OF BEARINGS:
DESCRIPTION: CALIFORNIA COORDINATE SYSTEM, ZONE VI, NAD83 (EPOCH 2010.00) AS DETERMINED LOCALLY BY A LINE BETWEEN CORNS P584 AND MLFP BEING NB4+41-07.39W AS DERIVED FROM GEODETIC VALUES PUBLISHED BY CSRC AND/OR NGS, RESPECTIVELY.

BENCHMARK: BM NO. C-2-4
DESCRIPTION: BRASS DISK STAMPED "C-2-4-65" ON NORTHWEST WINGWALL AT THE SOUTHWEST CORNER OF BROOKSIDE AVENUE AND CHERRY AVENUE
DATUM = NGVD 29
ELEV. = 2758.083'

BY	MARK	DESCRIPTION	APPR.	DATE
ENGINEER		REVISIONS		CITY

Michael Baker INTERNATIONAL
40810 COUNTY CENTER DR., SUITE 200
TEMECULA, CA 92591
PHONE: (951) 676-8042
MBAKERINTL.COM
DATE: 1/15/2021
R.C.E. 87843

DESIGN BY: MJB
DRAWN BY: JDC, TA
CHECKED BY: MJB
SCALE: PER PLAN
DATE: NOV. 2018
JOB NUMBER: 164160

Approved By: *Mark Swanson* Date: 4/23/21
MARK SWANSON
District Engineer
R.C.E. No. 72332

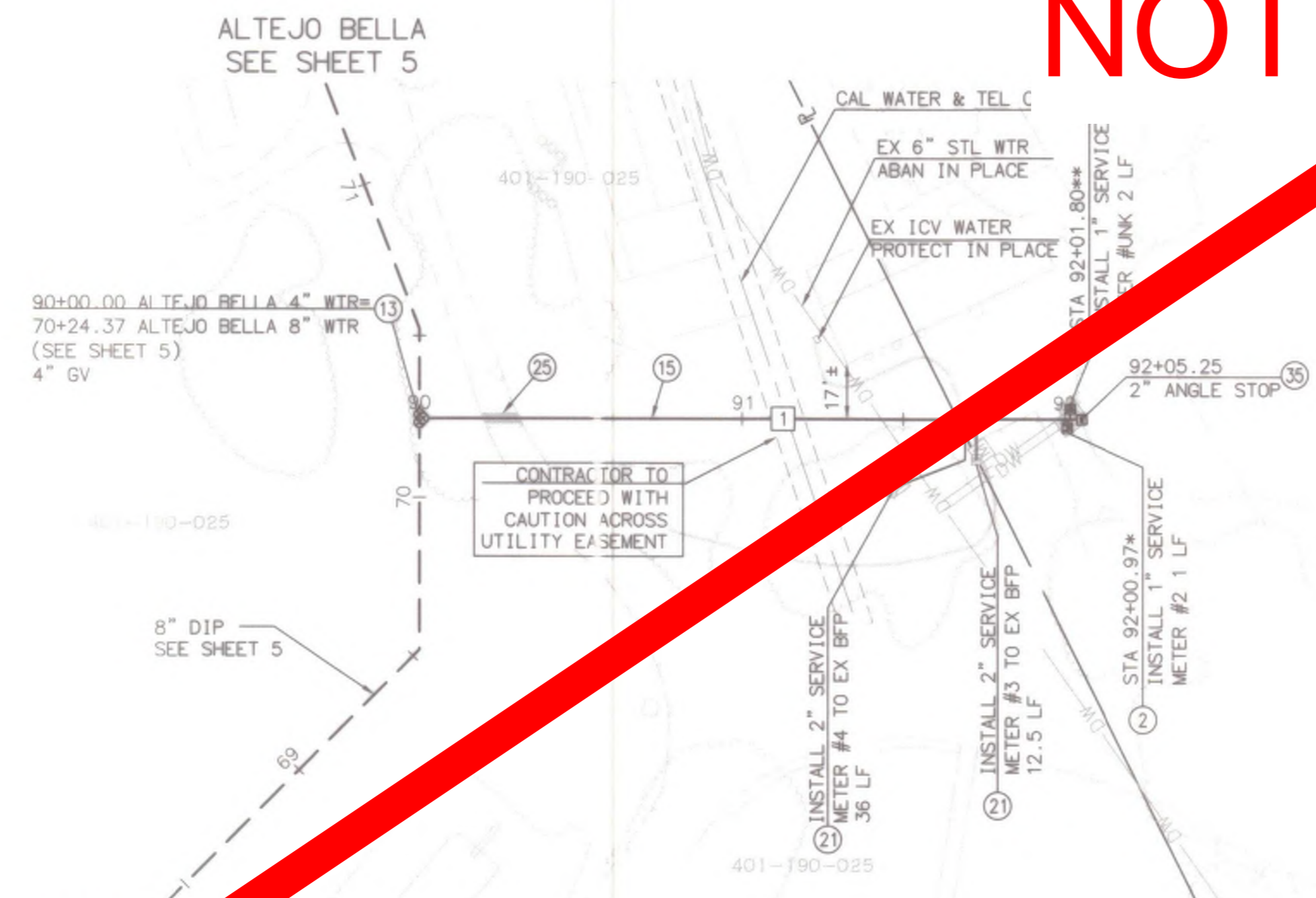
MS0483 / IP200048
CITY OF BEAUMONT, CALIFORNIA
WATER PIPELINE REPLACEMENT PROJECTS
P-3620-0012 ALTEJO BELLA, AVENIDA MIRAVILLA TO END OF CUL-DE-SAC
PIPELINE 1 ALTEJO BELLA
STA. 78+00.00 TO STA. 82+20.82
A PORTION OF SECTIONS 22 & 23, T.2 S., R.1 W., S.B.M.
FOR: BCVWD

SHEET
6
OF 14 SHEETS
FILE NO.:
969X

COUNTY OVERSIGHT ENGINEER
Benjie Cho, P.E.
APPROVED AS TO COMPLIANCE WITH APPLICABLE COUNTY STANDARDS AND STATUTES



NOT A PART



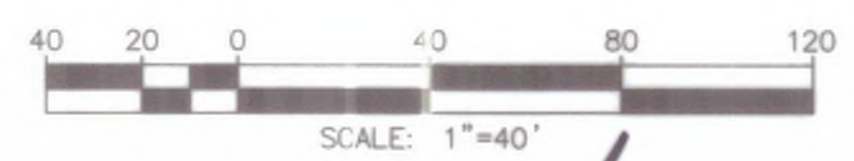
NO	BEARING/DELTA	RADIUS	LENGTH	TANGENT	NOTE
1	N80°22'42\"W	--	205.25'	--	4\" DIP WATER

CONSTRUCTION NOTES

- ② INSTALL 1\" COPPER SERVICE LINE, TYPE K, PER BCVWD PLATE 6-2 AND 6-3
- ⑬ INSTALL 4\" FLANGED GATE VALVE PER BCVWD PLATE 2
- ⑮ INSTALL 4\" DUCTILE IRON PIPE (CLASS 350) AND BEDDING PER BCVWD PLATE 6-1 (36\" MIN COVER)
- ⑰ INSTALL 2\" COPPER SERVICE LINE, PER BCVWD PLATE 6-2, 6-4 AND PLATE 12
- ⑳ ASPHALT AND CONCRETE REMOVAL AND REPLACEMENT
- ㉓ INSTALL 2\" COPPER SERVICE LINE AND METER BOX PER BCVWD PLATE 6-4 AND PLATE 12. INSTALL THREADED CAP ON ANGLE STOP. DO NOT INSTALL METER.

NOTE:

- 1. THE CONTRACTOR WILL BE REQUIRED TO ADJUST THE WATER LINE GRADE TO AVOID CONFLICTS WITH THE EXISTING SEWER SERVICES. ALL COSTS FOR ADJUSTMENTS TO WATER LINE GRADE SHALL BE CONSIDERED TO BE INCLUDED IN THE BASE BID FOR THE WATER LINE INSTALLATION.
- 2. THE CONTRACTOR WILL BE REQUIRED TO VERIFY LOCATION OF ALL EXISTING SERVICE LATERALS TO EACH PROPERTY.
- 3. THE CONTRACTOR SHALL BE REQUIRED TO REPAIR AND REPLACE ALL DAMAGED FENCE AND LANDSCAPING IN KIND DURING CONSTRUCTION. THE CONTRACTOR SHALL NOTIFY THE DISTRICT IF ANY DAMAGE TO PRIVATE IRRIGATION LINES ARE DAMAGED. THE DISTRICT WILL MAKE REPAIRS AT THE CONTRACTORS EXPENSE.
- 4. THE REMOVAL OF LANDSCAPING, FENCING, AND OTHER RESIDENTIAL IMPROVEMENTS ARE REQUIRED IN SOME LOCATIONS FOR PROPOSED WATER LINE IMPROVEMENTS. THE EXTENT OF THE REMOVAL SHALL BE DETERMINED BY THE CONTRACTOR BASED ON FIELD CONDITIONS AT THE TIME OF CONSTRUCTION AND THE MEANS AND METHODS OF THE INSTALLING CONTRACTOR. ALL EXISTING IMPROVEMENTS SHALL BE DOCUMENTED WITH PRECONSTRUCTION PHOTOGRAPHS BY THE CONTRACTOR AND RESTORED TO LIKE-NEW CONDITION AND TO THE SATISFACTION OF THE DISTRICT. NOT ALL LOCATIONS ARE SPECIFICALLY IDENTIFIED ON PLANS.
- 5. SOME SEGMENTS OF THE REPLACEMENT PIPELINE ARE PLACED ON PRIVATE PROPERTY. THE CONTRACTOR SHALL COORDINATE WITH THE DISTRICT PRIOR TO CONSTRUCTION TO VERIFY AGREEMENTS AND EASEMENT LOCATIONS, AND FOR COORDINATION WITH THE PROPERTY OWNERS PRIOR TO ANY CONSTRUCTION ACTIVITY ON PRIVATE PROPERTY.



MS0483 / IP200048

PZ3620

THE PRIVATE ENGINEER SIGNING THESE PLANS IS RESPONSIBLE FOR ASSURING THE ACCURACY AND ACCEPTABILITY OF THE DESIGN HEREON. IN THE EVENT OF DISCREPANCIES ARISING AFTER BCVWD APPROVAL OR DURING CONSTRUCTION, THE PRIVATE ENGINEER SHALL BE RESPONSIBLE FOR DETERMINING AN ACCEPTABLE SOLUTION AND REVISIONS TO THE PLANS FOR APPROVAL BY THE BCVWD.



* PER THE DISTRICT'S DATA, THIS METER IS IN THE PARCEL DISPLAYED IN THE PLAN VIEW (ABOVE). HOWEVER, THE TRUE LOCATION OF THIS METER IS UNKNOWN. CONTRACTOR TO FIELD VERIFY.

** THE METER NUMBER IS UNKNOWN. PER THE SURVEY, A METER WAS IDENTIFIED AS SHOWN IN THE PLAN VIEW (ABOVE). CONTRACTOR TO FIELD VERIFY.

DIGALERT
DIAL TOLL FREE
(800) 227-2600
At Least Two Working Days Before You Dig
UNDERGROUND SERVICE ALERT OF SOUTHERN CALIFORNIA

BASIS OF BEARINGS:
DESCRIPTION: CALIFORNIA COORDINATE SYSTEM, ZONE VI, NAD83 (EPOCH 2010.00) AS DETERMINED LOCALLY BY A LINE BETWEEN CORN P584 AND MLFP BEING N84-41-07.39W AS DERIVED FROM GEODETIC VALUES PUBLISHED BY CSRC AND/OR NGS, RESPECTIVELY.

BENCHMARK: BM NO. C-2-4
DESCRIPTION: BRASS DISK STAMPED "C-2-4-65" ON NORTHWEST WINGWALL AT THE SOUTHWEST CORNER OF BROOKSIDE AVENUE AND CHERRY AVENUE

DATUM = NGVD 29
ELEV. = 2758.083'

BY	MARK	DESCRIPTION	APPR.	DATE
ENGINEER		REVISIONS		CITY

Michael Baker INTERNATIONAL
40810 COUNTY CENTER DR., SUITE 200
TEMECULA, CA 92591
PHONE: (951) 676-8042
MBAKERINTL.COM

DESIGN BY: MJB
DRAWN BY: JOC, IA
CHECKED BY: MJB
SCALE: PER PLAN
DATE: NOV. 2018
JOB NUMBER: 164160

DATE: 1/15/2021
R.C.E. 87843

MILES M. COSTANZA

BEAUMONT - CHERRY VALLEY WATER DISTRICT
Riverside County, California

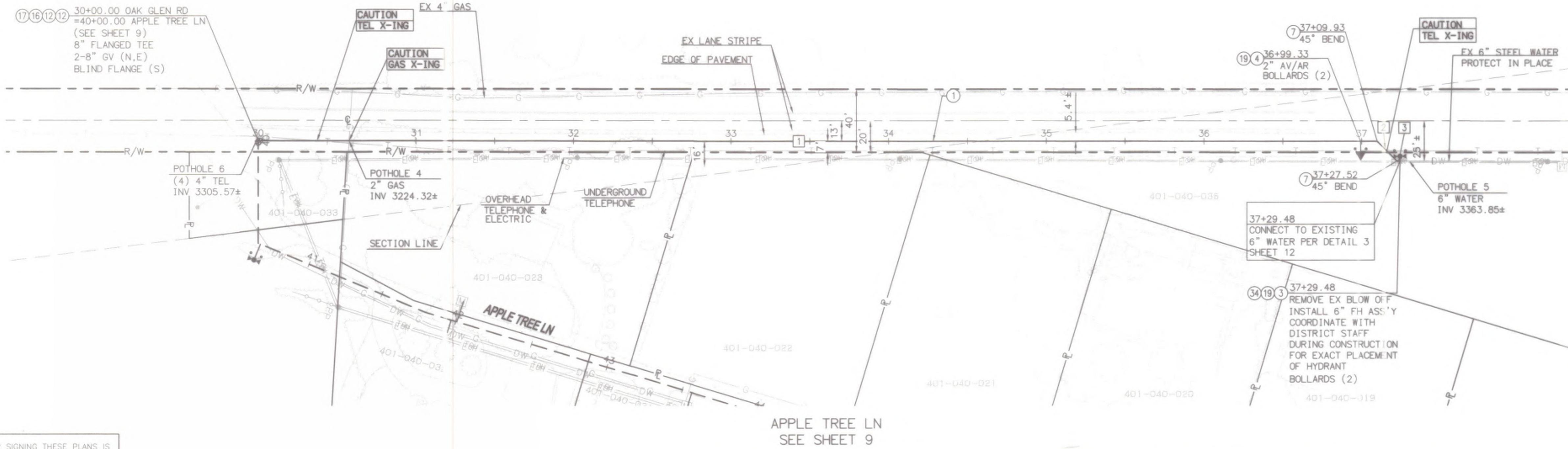
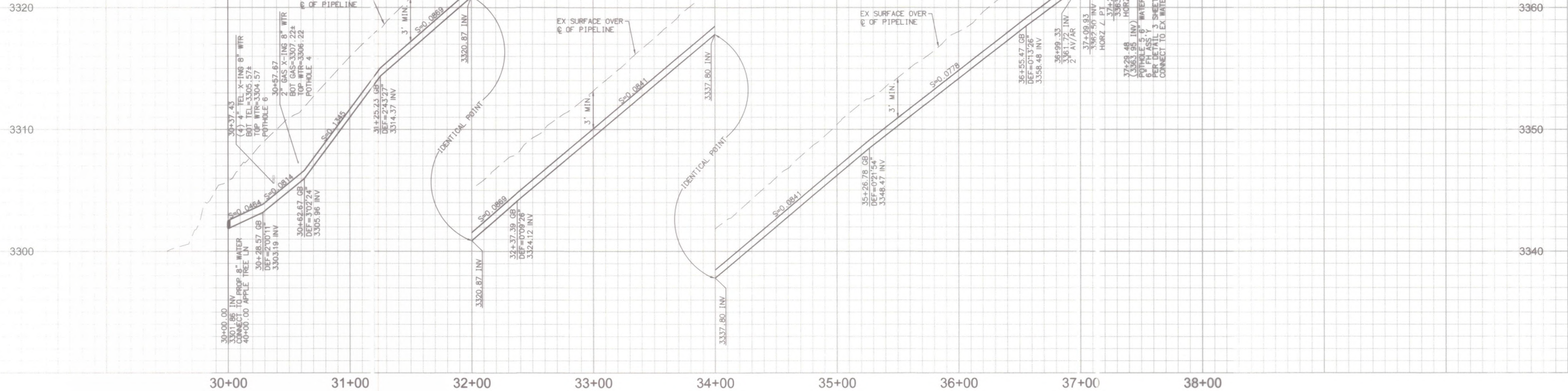
Approved By: *[Signature]* Date: 6/23/21
MARK SWANSON
District Engineer
R.C.E. No. 72332

CITY OF BEAUMONT, CALIFORNIA
WATER PIPELINE REPLACEMENT PROJECTS
P-3620-0012 AVE ALTEJO BELLA
AVENIDA MIRAVILLA TO END OF CUL-DE-SAC
PIPELINE 1 AVE ALTEJO BELLA
STA. 90+00.00 TO STA. 92+05.25
A PORTION OF SECTIONS 22 & 23, T.2 S., R.1 W., S.B.M.

FOR: BCVWD

INSTALL 729.47' 8" DIP CL350 WITH PE WRAP RESTRAIN ALL JOINTS

PROFILE SCALE:
HORIZ: 1" = 40'
VERT: 1" = 4'



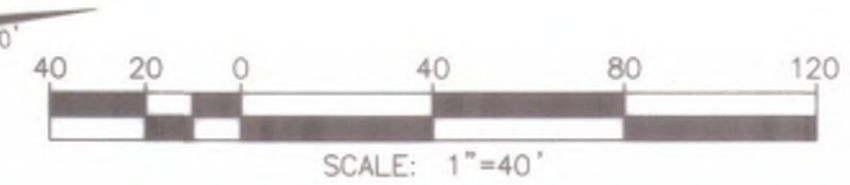
- CONSTRUCTION NOTES**
- INSTALL 8" DUCTILE IRON PIPE (CLASS 350) AND BEDDING PER BCVWD PLATE 6-1 (36" MIN COVER)
 - INSTALL TYPE JONES 3765 WET BARREL FIRE HYDRANT ASSEMBLY INCLUDING VALVE AND FITTINGS PER BCVWD PLATE 1
 - INSTALL 2" AIR AND VACUUM ASSEMBLY PER BCVWD PLATE 5-1
 - INSTALL 8" 45° BEND, RESTRAINED
 - INSTALL 8" FLANGED GATE VALVE PER BCVWD PLATE 2
 - INSTALL 8" FLANGED TEE
 - INSTALL 8" BLIND FLANGE
 - INSTALL BOLLARD AT LOCATIONS SHOWN ON PLAN PER DETAIL 4 SHEET 13
 - REMOVE EXISTING WATER APPURTENANCES AFTER CONSTRUCTION IS COMPLETE AND NEW WATER PIPELINES ARE IN SERVICE
- NOTE:

- THE CONTRACTOR WILL BE REQUIRED TO ADJUST THE WATER LINE GRADE TO AVOID CONFLICTS WITH THE EXISTING SEWER SERVICES. ALL COSTS FOR ADJUSTMENTS TO WATER LINE GRADE SHALL BE CONSIDERED TO BE INCLUDED IN THE BASE BID FOR THE WATER LINE.
- THE CONTRACTOR WILL BE REQUIRED TO VERIFY LOCATION OF ALL EXISTING SERVICE LATERALS TO EACH PROPERTY.
- THE CONTRACTOR SHALL BE REQUIRED TO REPAIR AND REPLACE ALL DAMAGED FENCE AND LANDSCAPING IN KIND DURING CONSTRUCTION. THE CONTRACTOR SHALL NOTIFY THE DISTRICT IF ANY DAMAGE TO PRIVATE IRRIGATION LINES ARE DAMAGED. THE DISTRICT WILL MAKE REPAIRS AT THE CONTRACTORS EXPENSE.
- THE REMOVAL OF LANDSCAPING, FENCING, AND OTHER RESIDENTIAL IMPROVEMENTS ARE REQUIRED IN SOME LOCATIONS FOR PROPOSED WATER LINE IMPROVEMENTS. THE EXTENT OF THE REMOVAL SHALL BE DETERMINED BY THE CONTRACTOR BASED ON FIELD CONDITIONS AT THE TIME OF CONSTRUCTION AND THE MEANS AND METHODS OF THE INSTALLING CONTRACTOR. ALL EXISTING IMPROVEMENTS SHALL BE DOCUMENTED WITH PRECONSTRUCTION PHOTOGRAPHS BY THE CONTRACTOR AND RESTORED TO LIKE-NEW CONDITION AND TO THE SATISFACTION OF THE DISTRICT. NOT ALL LOCATIONS ARE SPECIFICALLY IDENTIFIED ON PLANS.
- SOME SEGMENTS OF THE REPLACEMENT PIPELINE ARE PLACED ON PRIVATE PROPERTY. THE CONTRACTOR SHALL COORDINATE WITH THE DISTRICT PRIOR TO CONSTRUCTION TO VERIFY AGREEMENTS AND EASEMENT LOCATIONS, AND FOR COORDINATION WITH THE PROPERTY OWNERS PRIOR TO ANY CONSTRUCTION ACTIVITY ON PRIVATE PROPERTY.

OAK GLEN ROAD

LINE/CURVE DATA TABLE

NO	BEARING/Delta	RADIUS	LENGTH	TANGENT	NOTE
1	N08°36'29"E	---	709.93'	---	8" DIP WATER
2	N53°36'29"E	---	17.58'	---	8" DIP WATER
3	N08°36'29"E	---	1.96'	---	8" DIP WATER



THE PRIVATE ENGINEER SIGNING THESE PLANS IS RESPONSIBLE FOR ASSURING THE ACCURACY AND ACCEPTABILITY OF THE DESIGN HEREON. IN THE EVENT OF DISCREPANCIES ARISING AFTER BCVWD APPROVAL OR DURING CONSTRUCTION, THE PRIVATE ENGINEER SHALL BE RESPONSIBLE FOR DETERMINING AN ACCEPTABLE SOLUTION AND REVISIONS TO THE PLANS FOR APPROVAL BY THE BCVWD.



NOTE: WORK CONTAINED WITHIN THESE PLANS SHALL NOT COMMENCE UNTIL AN ENCROACHMENT PERMIT HAS BEEN ISSUED.



BASIS OF BEARINGS:
DESCRIPTION: CALIFORNIA COORDINATE SYSTEM, ZONE VI, NAD83 (EPOCH 2010.00) AS DETERMINED LOCALLY BY A LINE BETWEEN CORNERS P584 AND MLFP BEING N84-41-07.39W AS DERIVED FROM GEODETIC VALUES PUBLISHED BY CSRS AND/OR NGS, RESPECTIVELY.

BENCHMARK: BM NO. C-2-4
DESCRIPTION: BRASS DISK STAMPED "C-2-4-65" ON NORTHWEST WINGWALL AT THE SOUTHWEST CORNER OF BROOKSIDE AVENUE AND CHERRY AVENUE.
DATUM = NGVD 29
ELEV. = 2758.083'

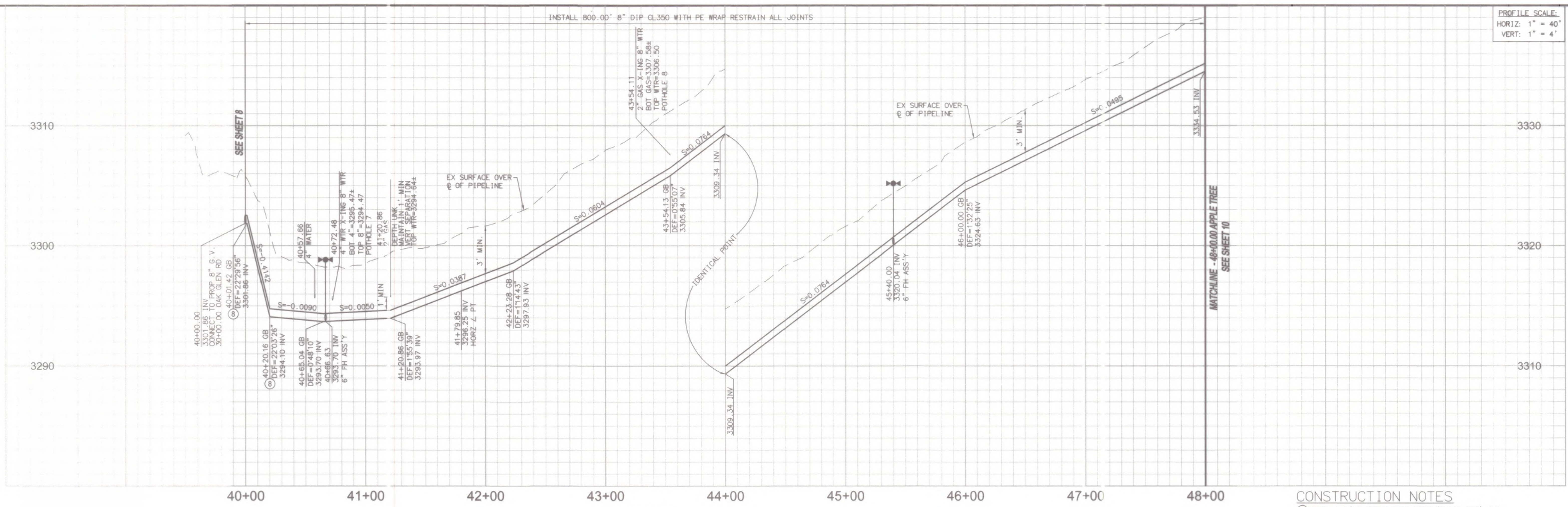
BY	MARK	DESCRIPTION	APPR.	DATE
ENGINEER		REVISIONS		CITY

Michael Baker INTERNATIONAL
40810 COUNTY CENTER DR., SUITE 200, TEMECULA, CA 92591
PHONE: (951) 676-8042
MBAKERINTL.COM
DATE: 1/15/2021
R.C.E. 87843

DESIGN BY: MJB
DRAWN BY: JDC, IA
CHECKED BY: MJB
SCALE: PER PLAN
DATE: NOV. 2018
JOB NUMBER: 164160
BEAUMONT - CHERRY VALLEY WATER DISTRICT
Riverside County, California
Approved By: *[Signature]*
MARK SWANSON
District Engineer
R.C.E. No. 72332

MS0483 / IP200048
CITY OF BEAUMONT, CALIFORNIA
WATER PIPELINE REPLACEMENT PROJECTS
P-3620-0015 APPLE TREE LANE, B LINE TO OAK GLEN ROAD
PIPELINE 2 OAK GLEN RD
STA. 30+00.00 TO STA. 37+29.48 OAK GLEN RD
A PORTION OF SECTIONS 14 & 15, T.2 S., R.1 W., S.B.M.
FOR: BCVWD

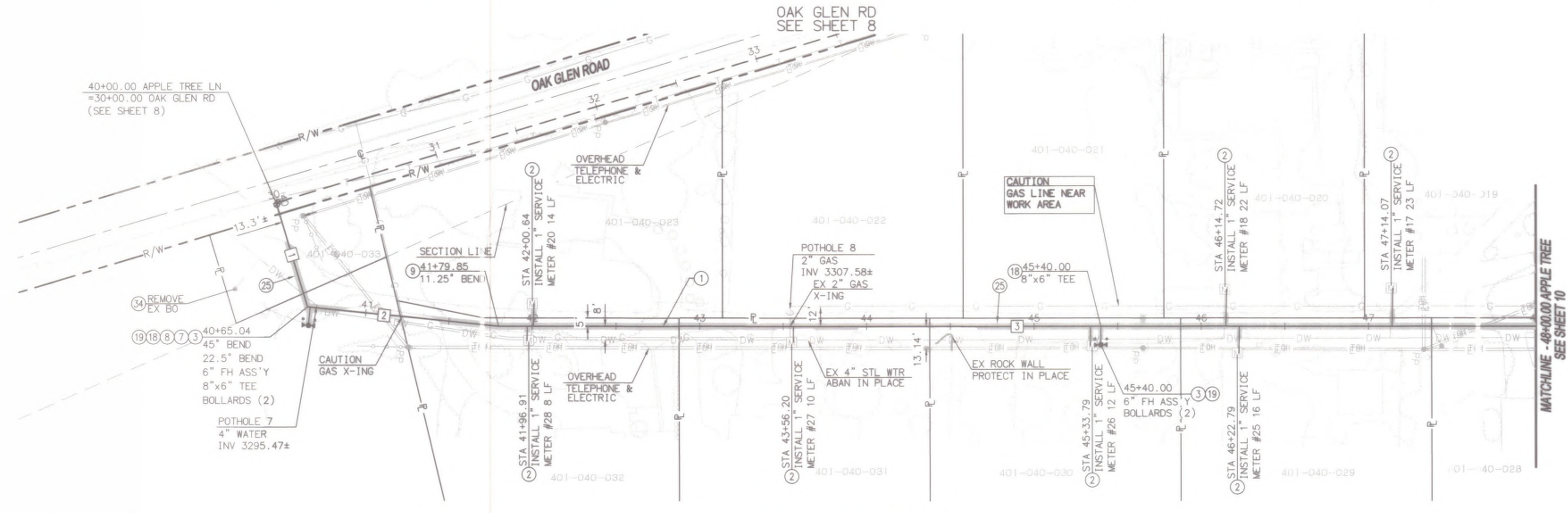
INSTALL 800.00' 8" DIP CL350 WITH PE WRAP RESTRAIN ALL JOINTS



CONSTRUCTION NOTES

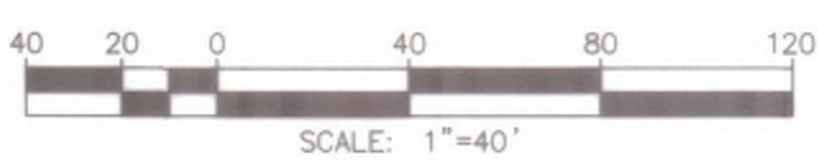
- 1) INSTALL 8" DUCTILE IRON PIPE (CLASS 350) AND BEDDING PER BCWVD PLATE 6-1 (36" MIN COVER)
- 2) INSTALL 1" COPPER SERVICE LINE, TYPE K, PER BCWVD PLATE 6-2 AND 6-3
- 3) INSTALL TYPE JONES 3765 WET BARREL FIRE HYDRANT ASSEMBLY INCLUDING VALVE AND FITTINGS PER BCWVD PLATE 1
- 7) INSTALL 8" 45° BEND, RESTRAINED
- 8) INSTALL 8" 22.5° BEND, RESTRAINED
- 9) INSTALL 8" 11.25° BEND, RESTRAINED
- 18) INSTALL 8"x6" FLANGED TEE
- 19) INSTALL BOLLARD AT LOCATIONS SHOWN ON PLAN PER DETAIL 4 SHEET 13
- 25) ASPHALT AND CONCRETE REMOVAL AND REPLACEMENT
- 34) REMOVE EXISTING WATER APPURTENANCES AFTER COMPLETION OF NEW WATER PIPELINES ARE IN SERVICE

- NOTE:
1. THE CONTRACTOR WILL BE REQUIRED TO ADJUST THE WATER LINE GRADE TO AVOID CONFLICTS WITH THE EXISTING SEWER SERVICES. ALL COSTS FOR ADJUSTMENTS TO WATER LINE GRADE SHALL BE CONSIDERED IN THE BASE BID FOR THE WATER LINE.
 2. THE CONTRACTOR WILL BE REQUIRED TO VERIFY LOCATION OF ALL EXISTING SERVICE LATERALS TO EACH PROPERTY.
 3. THE CONTRACTOR SHALL BE REQUIRED TO REPAIR AND REPLACE ALL DAMAGED FENCE AND LANDSCAPING IN KIND DURING CONSTRUCTION. THE CONTRACTOR SHALL NOTIFY THE DISTRICT IF ANY DAMAGE TO PRIVATE IRRIGATION LINES ARE DAMAGED. THE DISTRICT WILL MAKE REPAIRS AT THE CONTRACTORS EXPENSE.
 4. THE REMOVAL OF LANDSCAPING, FENCING, AND OTHER RESIDENTIAL IMPROVEMENTS ARE REQUIRED IN SOME LOCATIONS FOR PROPOSED WATER LINE IMPROVEMENTS. THE EXTENT OF THE REMOVAL SHALL BE DETERMINED BY THE CONTRACTOR BASED ON FIELD CONDITIONS AT THE TIME OF CONSTRUCTION AND THE MEANS AND METHODS OF THE INSTALLING CONTRACTOR. ALL EXISTING IMPROVEMENTS SHALL BE DOCUMENTED WITH PRECONSTRUCTION PHOTOGRAPHS BY THE CONTRACTOR AND RESTORED TO LIKE-NEW CONDITION AND TO THE SATISFACTION OF THE DISTRICT. NOT ALL LOCATIONS ARE SPECIFICALLY IDENTIFIED ON PLANS.
 5. SOME SEGMENTS OF THE REPLACEMENT PIPELINE ARE PLACED ON PRIVATE PROPERTY. THE CONTRACTOR SHALL COORDINATE WITH THE DISTRICT PRIOR TO CONSTRUCTION TO VERIFY AGREEMENTS AND EASEMENT LOCATIONS, AND FOR COORDINATION WITH THE PROPERTY OWNERS PRIOR TO ANY CONSTRUCTION ACTIVITY ON PRIVATE PROPERTY.
 6. CONTRACTOR TO KEEP EX PIPELINE IN SERVICE DURING CONSTRUCTION OF NEW PIPELINE. ABANDON IN PLACE AFTER COMPLETION OF NEW WATER PIPELINES ARE IN SERVICE.



APPLE TREE LANE

NO	BEARING/Delta	RADIUS	LENGTH	TANGENT	NOTE
1	N81°23'31"W	--	65.14'	--	8" DIP WATER
2	N31°06'29"E	--	114.80'	--	8" DIP WATER
3	N25°20'09"E	--	620.16'	--	8" DIP WATER



THE PRIVATE ENGINEER SIGNING THESE PLANS IS RESPONSIBLE FOR ASSURING THE ACCURACY AND ACCEPTABILITY OF THE DESIGN HEREON. IN THE EVENT OF DISCREPANCIES ARISING AFTER BCWVD APPROVAL OR DURING CONSTRUCTION, THE PRIVATE ENGINEER SHALL BE RESPONSIBLE FOR DETERMINING AN ACCEPTABLE SOLUTION AND REVISIONS TO THE PLANS FOR APPROVAL BY THE BCWVD.



NOTE:
WORK CONTAINED WITHIN THESE PLANS SHALL NOT COMMENCE UNTIL AN ENCROACHMENT PERMIT HAS BEEN ISSUED.

COUNTY OVERSIGHT ENGINEER
Benjie Cho, P.E.
APPROVED AS TO COMPLIANCE WITH APPLICABLE COUNTY STANDARDS AND PRACTICES



BASIS OF BEARINGS:
DESCRIPTION: CALIFORNIA COORDINATE SYSTEM, ZONE VI, NAD83 (EPOCH 2010.00) AS DETERMINED LOCALLY BY A LINE BETWEEN COR'S P584 AND MLFP BEING N84-41-07.33W AS DERIVED FROM GEODETIC VALUES PUBLISHED BY CSRC AND/OR NGS, RESPECTIVELY.

BENCHMARK: BM NO. C-2-4
DESCRIPTION: BRASS DISK STAMPED "C-2-4-65" ON NORTHWEST WINGWALL AT THE SOUTHWEST CORNER OF BROOKSIDE AVENUE AND CHERRY AVENUE

DATUM = NGVD 29
ELEV. = 2758.083'

BY	MARK	DESCRIPTION	APPR.	DATE
ENGINEER		REVISIONS		CITY

Michael Baker INTERNATIONAL
40810 COUNTY CENTER DR., SUITE 200
TEMECULA, CA 92591
PHONE: (951) 676-8042
MBAKERINTL.COM

DESIGN BY: MJB
DRAWN BY: JDC, TA
CHECKED BY: MJB
SCALE: PER PLAN
DATE: NOV. 2018
JOB NUMBER: 164160

DATE: 1/15/2021
R.C.E. 87843

MILES M. COSTANZA

DESIGN BY: MJB
DRAWN BY: JDC, TA
CHECKED BY: MJB
SCALE: PER PLAN
DATE: NOV. 2018
JOB NUMBER: 164160

BEAUMONT - CHERRY VALLEY WATER DISTRICT
Riverside County, California

Approved By: *[Signature]* MARK SWANSON
District Engineer
R.C.E. No. 72332

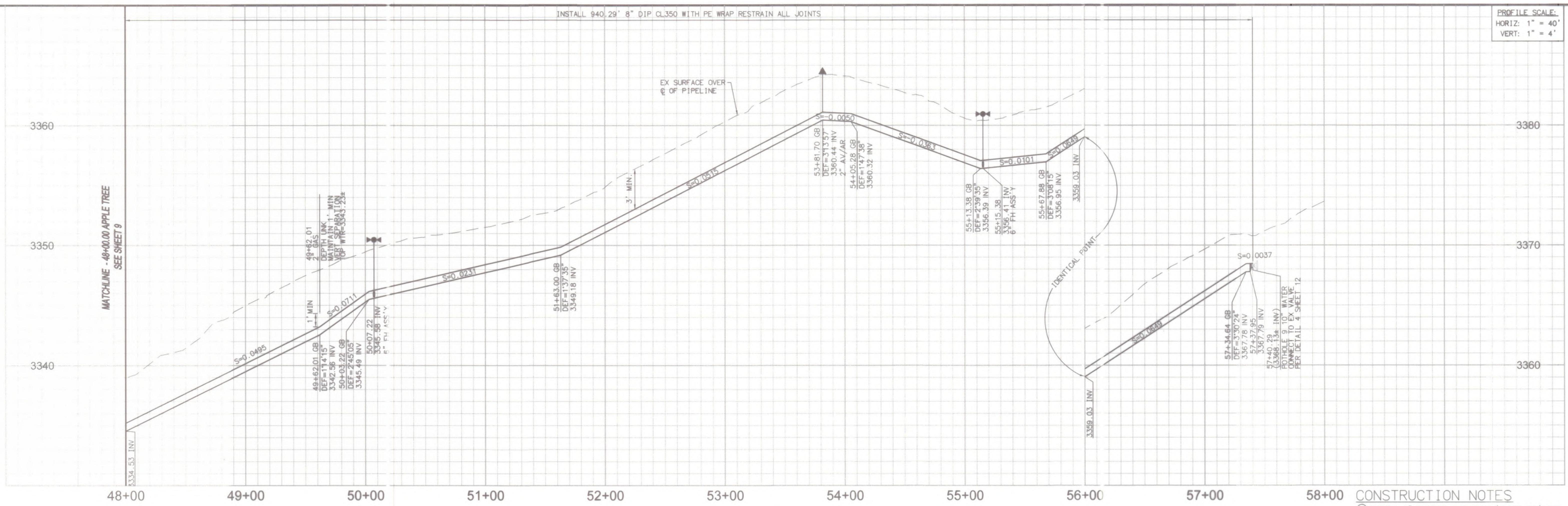
Date: 1/29/21

CITY OF BEAUMONT, CALIFORNIA
WATER PIPELINE REPLACEMENT PROJECTS
P-3620-0015 APPLE TREE LANE,
8 LINE TO OAK GLEN ROAD

PIPELINE 2 APPLE TREE LN
STA. 40+00.00 TO STA. 48+00.00 APPLE TREE LN
A PORTION OF SECTIONS 14 & 15, T.2 S., R.1 W., S.B.M.

FOR: **BCWVD**

PROFILE SCALE:
HORIZ: 1" = 40'
VERT: 1" = 4'



MATCHLINE - 48+00.00 APPLE TREE SEE SHEET 9

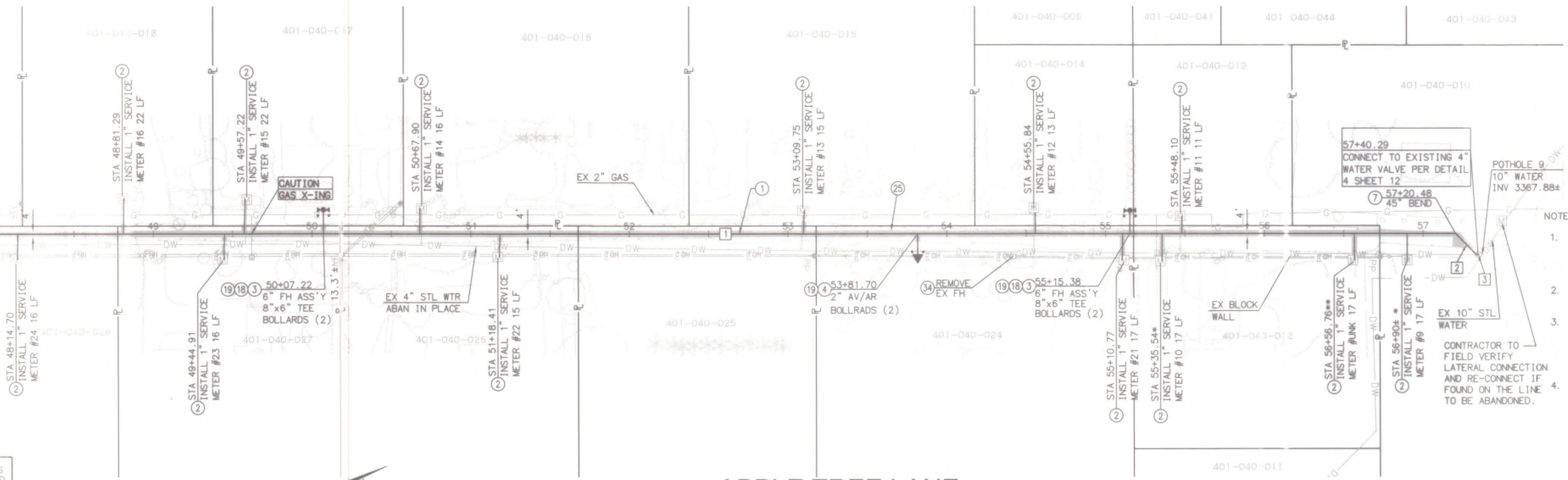
MATCHLINE - 48+00.00 APPLE TREE SEE SHEET 9

CONSTRUCTION NOTES

- 1) INSTALL 8" DUCTILE IRON PIPE (CLASS 350) AND BEDDING PER BCVWD PLATE 6-1 (36" MIN COVER)
- 2) INSTALL 1" COPPER SERVICE LINE, TYPE K, PER BCVWD PLATE 6-2 AND 6-3
- 3) INSTALL TYPE JONES 3785 WET BARREL FIRE HYDRANT ASSEMBLY INCLUDING VALVE AND FITTINGS PER BCVWD PLATE 1
- 4) INSTALL 2" AIR AND VACUUM ASSEMBLY PER BCVWD PLATE 5-1
- 7) INSTALL 8" 45° BEND, RESTRAINED
- 10) INSTALL 8"x4" ECCENTRIC REDUCER
- 13) INSTALL 4" FLANGED GATE VALVE PER BCVWD PLATE 2
- 18) INSTALL 8"x6" FLANGED TEE
- 19) INSTALL BOLLARD AT LOCATIONS SHOWN ON PLAN PER DETAIL 4 SHEET 13
- 25) ASPHALT AND CONCRETE REMOVAL AND REPLACEMENT
- 33) INSTALL 4" 45° BEND, RESTRAINED
- 34) REMOVE EXISTING WATER APPURTENANCES AFTER CONSTRUCTION IS COMPLETE AND NEW WATER PIPELINES ARE IN SERVICE

NOTE:

1. THE CONTRACTOR WILL BE REQUIRED TO ADJUST THE WATER LINE GRADE TO AVOID CONFLICTS WITH THE EXISTING SEWER SERVICES. ALL COSTS FOR ADJUSTMENTS TO WATER LINE GRADE SHALL BE CONSIDERED TO BE INCLUDED IN THE BASE BID FOR THE WATER LINE INSTALLATION.
2. THE CONTRACTOR WILL BE REQUIRED TO VERIFY LOCATION OF ALL EXISTING SERVICE LATERALS TO EACH PROPERTY.
3. THE CONTRACTOR SHALL BE REQUIRED TO REPAIR AND REPLACE ALL DAMAGED FENCE AND LANDSCAPING IN KIND DURING CONSTRUCTION. THE CONTRACTOR SHALL NOTIFY THE DISTRICT IF ANY DAMAGE TO PRIVATE IRRIGATION LINES ARE DAMAGED. THE DISTRICT WILL MAKE REPAIRS AT THE CONTRACTORS EXPENSE.
4. THE REMOVAL OF LANDSCAPING, FENCING, AND OTHER RESIDENTIAL IMPROVEMENTS ARE REQUIRED IN SOME LOCATIONS FOR PROPOSED WATER LINE IMPROVEMENTS. THE EXTENT OF THE REMOVAL SHALL BE DETERMINED BY THE CONTRACTOR BASED ON FIELD CONDITIONS AT THE TIME OF CONSTRUCTION AND THE MEANS AND METHODS OF THE INSTALLING CONTRACTOR. ALL EXISTING IMPROVEMENTS SHALL BE DOCUMENTED WITH PRECONSTRUCTION PHOTOGRAPHS BY THE CONTRACTOR AND RESTORED TO LIKE-NEW CONDITION AND TO THE SATISFACTION OF THE DISTRICT. NOT ALL LOCATIONS ARE SPECIFICALLY IDENTIFIED ON PLANS.
5. SOME SEGMENTS OF THE REPLACEMENT PIPELINE ARE PLACED ON PRIVATE PROPERTY. THE CONTRACTOR SHALL COORDINATE WITH THE DISTRICT PRIOR TO CONSTRUCTION TO VERIFY AGREEMENTS AND EASEMENT LOCATIONS, AND FOR COORDINATION WITH THE PROPERTY OWNERS PRIOR TO ANY CONSTRUCTION ACTIVITY ON PRIVATE PROPERTY.
6. CONTRACTOR TO KEEP EX PIPELINE IN SERVICE DURING CONSTRUCTION OF NEW PIPELINE. ABANDON IN PLACE AFTER COMPLETION OF NEW WATER PIPELINES ARE IN SERVICE. SEE SEQUENCE OF WORK ON SHEET 3.



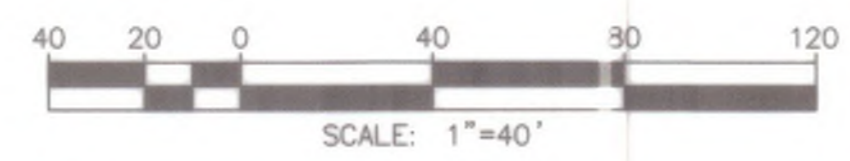
APPLE TREE LANE

LINE/CURVE DATA TABLE

NO	BEARING/Delta	RADIUS	LENGTH	TANGENT	NOTE
1	N25°20'09"E	--	920.48'	--	8" DIP WATER
2	N71°05'03"E	--	18.73'	--	8" DIP WATER
3	N26°05'03"E	--	1.06'	--	8" DIP WATER

* PER THE DISTRICT'S DATA, THIS METER IS IN THE PARCEL DISPLAYED IN THE PLAN VIEW (ABOVE). HOWEVER, THE TRUE LOCATION OF THIS METER IS UNKNOWN. CONTRACTOR TO FIELD VERIFY.

** THE METER NUMBER IS UNKNOWN. PER THE SURVEY, A METER WAS IDENTIFIED AS SHOWN IN THE PLAN VIEW (ABOVE). CONTRACTOR TO FIELD VERIFY.



THE PRIVATE ENGINEER SIGNING THESE PLANS IS RESPONSIBLE FOR ASSURING THE ACCURACY AND ACCEPTABILITY OF THE DESIGN HEREON. IN THE EVENT OF DISCREPANCIES ARISING AFTER BCVWD APPROVAL OR DURING CONSTRUCTION, THE PRIVATE ENGINEER SHALL BE RESPONSIBLE FOR DETERMINING AN ACCEPTABLE SOLUTION AND REVISING THE PLANS FOR APPROVAL BY THE BCVWD.

NOTE:
WORK CONTAINED WITHIN THESE PLANS SHALL NOT COMMENCE UNTIL AN ENCROACHMENT PERMIT HAS BEEN ISSUED.



BASIS OF BEARINGS:
DESCRIPTION:
CALIFORNIA COORDINATE SYSTEM, ZONE 10N, NAD83 (EPOCH 2010.00) AS DETERMINED LOCALLY BY A LINE BETWEEN CORN P584 AND MLFP BEING N84-41-07.39W AS DERIVED FROM GEODETIC VALUES PUBLISHED BY CSRC AND/OR NGS, RESPECTIVELY.

BENCHMARK: BM NO. C-2-4
DESCRIPTION:
BRASS DISK STAMPED "C-2-4-65" ON NORTHWEST WINGWALL AT THE SOUTHWEST CORNER OF BROOKSIDE AVENUE AND CHERRY AVENUE

DATUM = NGVD 29
ELEV. = 2758.083'

BY	MARK	DESCRIPTION	APPR.	DATE
ENGINEER		REVISIONS		CITY

Michael Baker INTERNATIONAL

40810 COUNTY CENTER DR., SUITE 200
TEMECULA, CA 92591
PHONE: (951) 676-8042
MBAKERINTL.COM

DESIGN BY: MJB
DRAWN BY: JDC, IA
CHECKED BY: MJB
SCALE: PER PLAN
DATE: NOV. 2018
JOB NUMBER: 164160

DATE: 1/15/2021
R.C.E. 87843

MILES M. COSTANZA

BEAUMONT - CHERRY VALLEY WATER DISTRICT
Riverside County, California

Approved By: *[Signature]* Date: 6/23/21

MARK SWANSON
District Engineer
R.C.E. No. 72332

MS0483 / IP200048

CITY OF BEAUMONT, CALIFORNIA
WATER PIPELINE REPLACEMENT PROJECTS
P-3620-0015 APPLE TREE LANE,
B LINE TO OAK GLEN ROAD

PIPELINE 2 APPLE TREE LN
STA. 48+00.00 TO STA. 57+40.29

A PORTION OF SECTIONS 14 & 15, T.2 S., R.1 W., S.B.M.

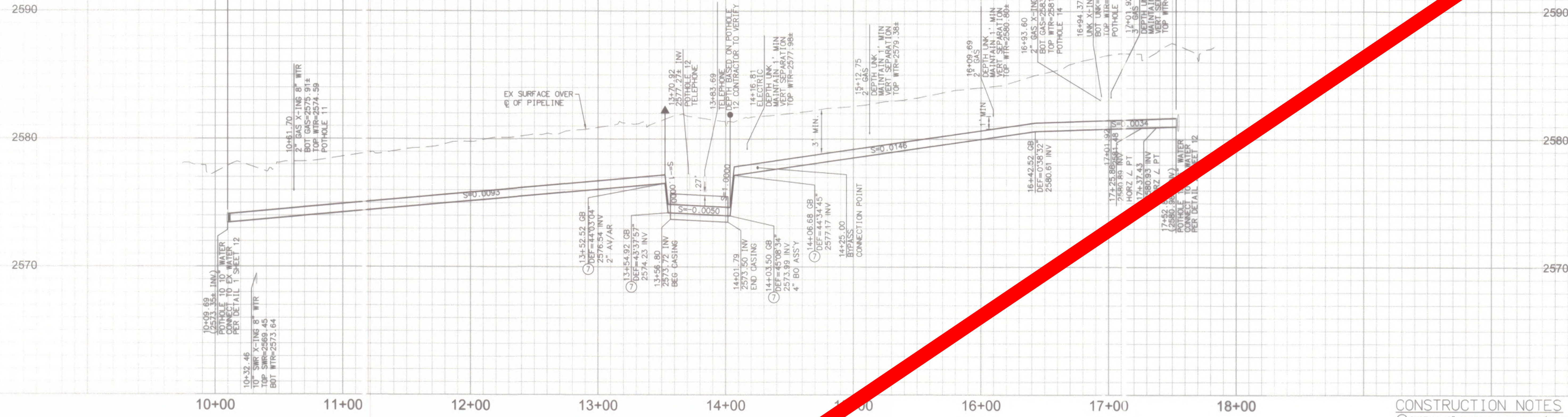
FOR: BCVWD

PZ3620

SHEET
10
OF 14 SHEETS
FILE NO.:
969X

INSTALL 743.17' 8" DIP CL350 WITH PE WRAP RESTRAIN ALL JOINTS

PROFILE SCALE
HORIZ: 1"=40'
VERT: 1"=4'



NOT A PART

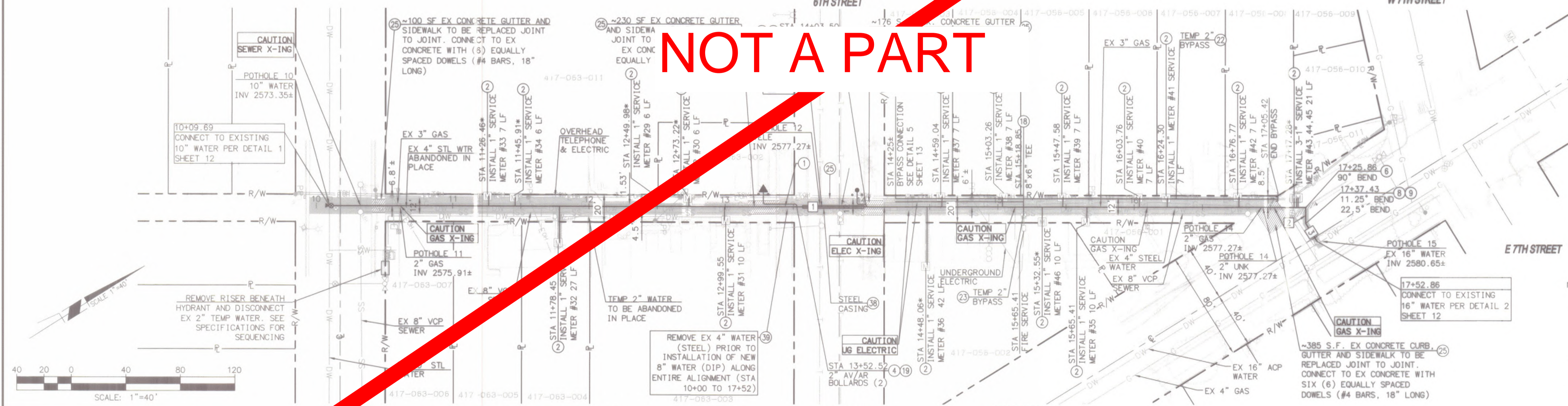
CONSTRUCTION NOTES

- INSTALL 8" DUCTILE IRON PIPE (CLASS 350) AND BEDDING PER BCVWD PLATE 6-1 (36" MIN COVER)
- INSTALL 1" COPPER SERVICE LINE, TYPE K, PER BCVWD PLATE 6-2 AND 6-3
- INSTALL 2" AIR AND VACUUM ASSEMBLY PER BCVWD PLATE 5-1
- INSTALL BLOW OFF ASSEMBLY AT LOCATIONS SHOWN ON PLAN PER DETAIL 6 SHEET 13
- INSTALL 8" 90° BEND, RESTRAINED
- INSTALL 8" 45° BEND, RESTRAINED
- INSTALL 8" 22.5° BEND, RESTRAINED
- INSTALL 8" 11.25° BEND, RESTRAINED
- INSTALL 8"x6" FLANGED TEE
- INSTALL BOLLARD AT LOCATIONS SHOWN ON PLAN PER DETAIL 4 SHEET 13
- INSTALL 2" TEMPORARY BYPASS HIGH-LINE AND PROVIDE TEMPORARY CONNECTIONS TO ALL SERVICES.
- INSTALL 2" TEMPORARY BYPASS HIGH-LINE FOR DEDICATED SERVICE TO THE EXISTING BUILDING FIRE RISER.
- ASPHALT AND CONCRETE REMOVAL AND REPLACEMENT
- INSTALL 24" STEEL CASING PER CVWD IRRIGATION DETAIL 1-40 AND 1-40A, SEE SHEET 14
- REMOVE EX 4" (STEEL) PRIOR TO INSTALLATION OF NEW 8" (DIP)

- NOTE:
- THE CONTRACTOR WILL BE REQUIRED TO ADJUST THE WATER LINE GRADE TO AVOID CONFLICTS WITH THE EXISTING SEWER SERVICES. ALL COSTS FOR ADJUSTMENTS TO WATER LINE GRADE SHALL BE CONSIDERED TO BE INCLUDED IN THE BASE BID FOR THE WATER LINE INSTALLATION.
 - THE CONTRACTOR WILL BE REQUIRED TO VERIFY LOCATION OF ALL EXISTING SERVICE LATERALS TO EACH PROPERTY.
 - ALL SEWER CROSSINGS SHALL HAVE MINIMUM OF 1 FOOT VERTICAL SEPARATION PER BCVWD PLATE D4-1, D4-2 AND D4-3.
 - BYPASS REQUIRED TO MAINTAIN SERVICE DURING CONSTRUCTION. SEE SPECIFICATIONS FOR WORK SEQUENCING FOR THE BYPASS INSTALLATION AND REPLACEMENT PIPELINE.
 - CONTRACTOR TO FIELD VERIFY ELEVATION AND LOCATION OF EXISTING WATERLINES PRIOR TO CONSTRUCTION TIE IN.
 - CONTRACTOR SHALL EXERCISE CAUTION WITH THE CONSTRUCTION OF THE PIPELINES DUE TO THE CLOSE PROXIMITY OF THE EXISTING GAS AND ELECTRICAL LINES.

LINE/CURVE DATA TABLE

NO	BEARING/DELTA	RADIUS	LENGTH	TANGENT	NOTE
1	N32°13'21"E	--	716.17	--	8" DIP WATER
2	N57°46'39"W	--	11.57'	--	8" DIP WATER
3	N90°00'00"E	--	15.43'	--	8" DIP WATER



THE PRIVATE ENGINEER SIGNING THESE PLANS IS RESPONSIBLE FOR ASSURING THE ACCURACY AND ACCEPTABILITY OF THE DESIGN HEREON. IN THE EVENT OF DISCREPANCIES ARISING AFTER BCVWD APPROVAL OR DURING CONSTRUCTION, THE PRIVATE ENGINEER SHALL BE RESPONSIBLE FOR DETERMINING AN ACCEPTABLE SOLUTION AND REVISING THE PLANS FOR APPROVAL BY THE BCVWD.



NOTE:
WORK CONTAINED WITHIN THESE PLANS SHALL NOT COMMENCE UNTIL AN ENCROACHMENT PERMIT HAS BEEN OBTAINED.

* PER THE DISTRICT'S DATA, THIS METER IS IN THE PARCEL DISPLAYED IN THE PLAN VIEW (ABOVE). HOWEVER, THE TRUE LOCATION OF THIS METER IS UNKNOWN. CONTRACTOR TO FIELD VERIFY.

AV/AR AT STA 13+52.52. SHALL BE LOCATED IN THE EXISTING PLANTER KEEPING THE 2" CONNECTION LATERAL TO THE 8" WATERLINE WHERE THE CONCRETE GUTTER, SIDEWALK, AND PAVEMENT REPLACEMENT OCCURS.

BLOW-OFF AT STA 14+03.50. SHALL BE LOCATED IN THE EXISTING PLANTER KEEPING THE 4" CONNECTION LATERAL TO THE 8" WATERLINE WHERE THE CONCRETE GUTTER, SIDEWALK, AND PAVEMENT REPLACEMENT OCCURS.

CONTRACTOR TO COORDINATE WITH DISTRICT ON FINAL LOCATION.

DIGALERT
DIAL TOLL FREE (800) 227-2600
At Least Two Working Days Before You Dig
UNDERGROUND SERVICE ALERT OF SOUTHERN CALIFORNIA

BASIS OF BEARINGS:
DESCRIPTION: CALIFORNIA COORDINATE SYSTEM, ZONE VI, NAD83 (EPOCH 2010.00) AS DETERMINED LOCALLY BY A LINE BETWEEN CORNS P584 AND MUPF BEING N84-41-07.39W AS DERIVED FROM GEODETIC VALUES PUBLISHED BY CSRC AND/OR NGS, RESPECTIVELY.

BENCHMARK: BM NO. C-3
DESCRIPTION: BRASS DISK STAMPED "C-3 1965" IN CONCRETE AT THE SOUTH END OF THE BRIDGE CROSSING OVER HIGHWAY 60, 37 FEET WEST OF THE CENTERLINE OF BEAUMONT AVENUE, 0.21 MILES SOUTH OF THE INTERSECTION WITH 6TH STREET
DATUM = NGVD 29
ELEV = 2606.072'

BY	MARK	DESCRIPTION	APPR.	DATE
ENGINEER		REVISIONS		CITY

Michael Baker INTERNATIONAL
40810 COUNTY CENTER DR., SUITE 200
TEMECULA, CA 92591
PHONE: (951) 676-8042
MBAKERINTL.COM

DESIGN BY: MJB
DRAWN BY: JOC, IA
CHECKED BY: MJB
SCALE: PER PLAN
DATE: NOV. 2018
JOB NUMBER: 164160

DATE: 1/15/2021
R.C.E. 87843

MILES M. COSTANZA

BEAUMONT - CHERRY VALLEY WATER DISTRICT
Riverside County, California

Approved By:
MARK SWANSON
District Engineer
R.C.E. No. 72332

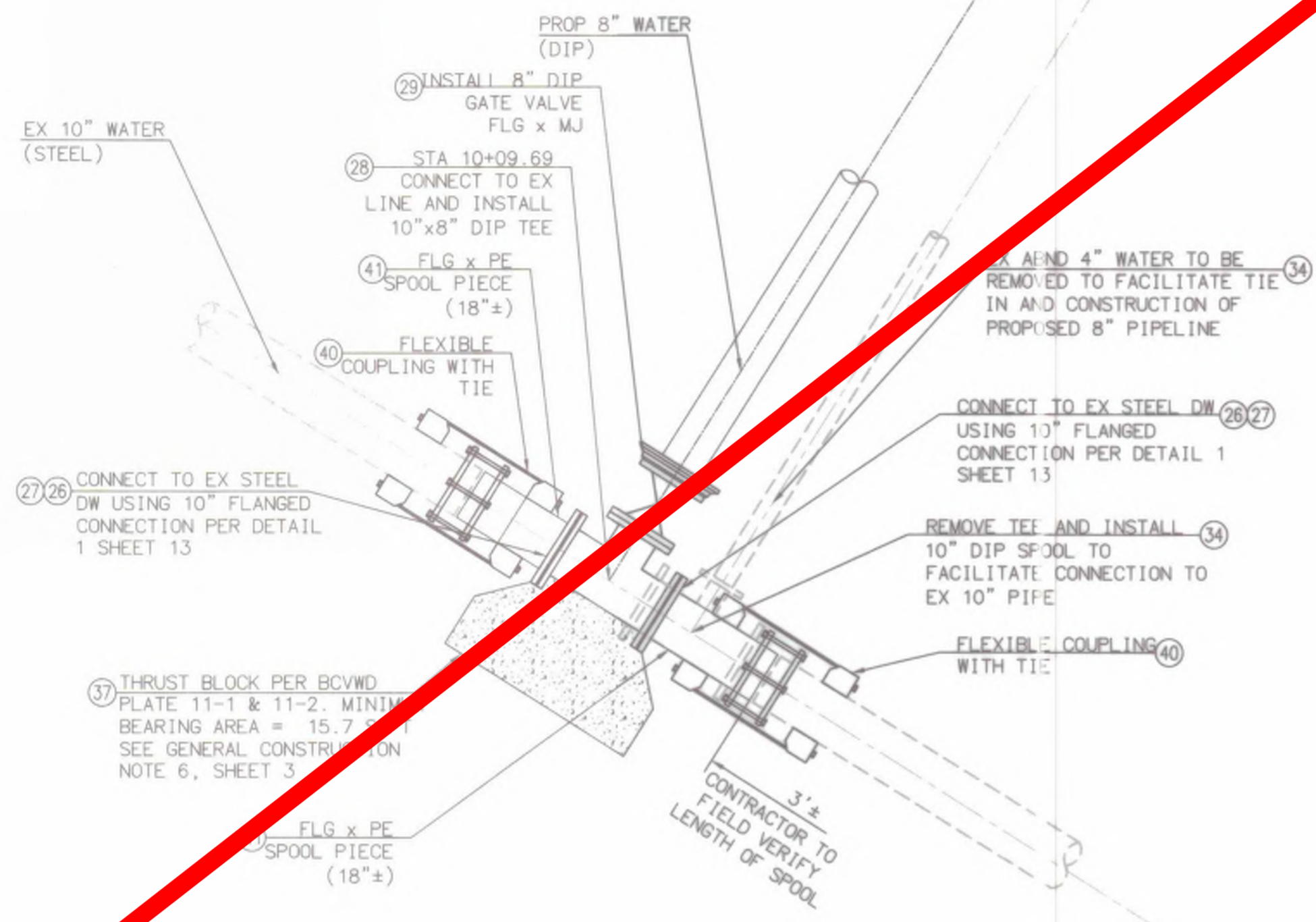
Date: 1/15/21

CITY OF BEAUMONT, CALIFORNIA
WATER PIPELINE REPLACEMENT PROJECTS
P-2750-0069 EGAN AVE,
CALIFORNIA ALLEY FROM 5TH TO 7TH STREETS
PIPELINE 3 EGAN AVE
STA. 10+09.69 TO STA. 17+52.86
A PORTION OF SECTION 9, T.3 S., R.1 W., S.B.M.

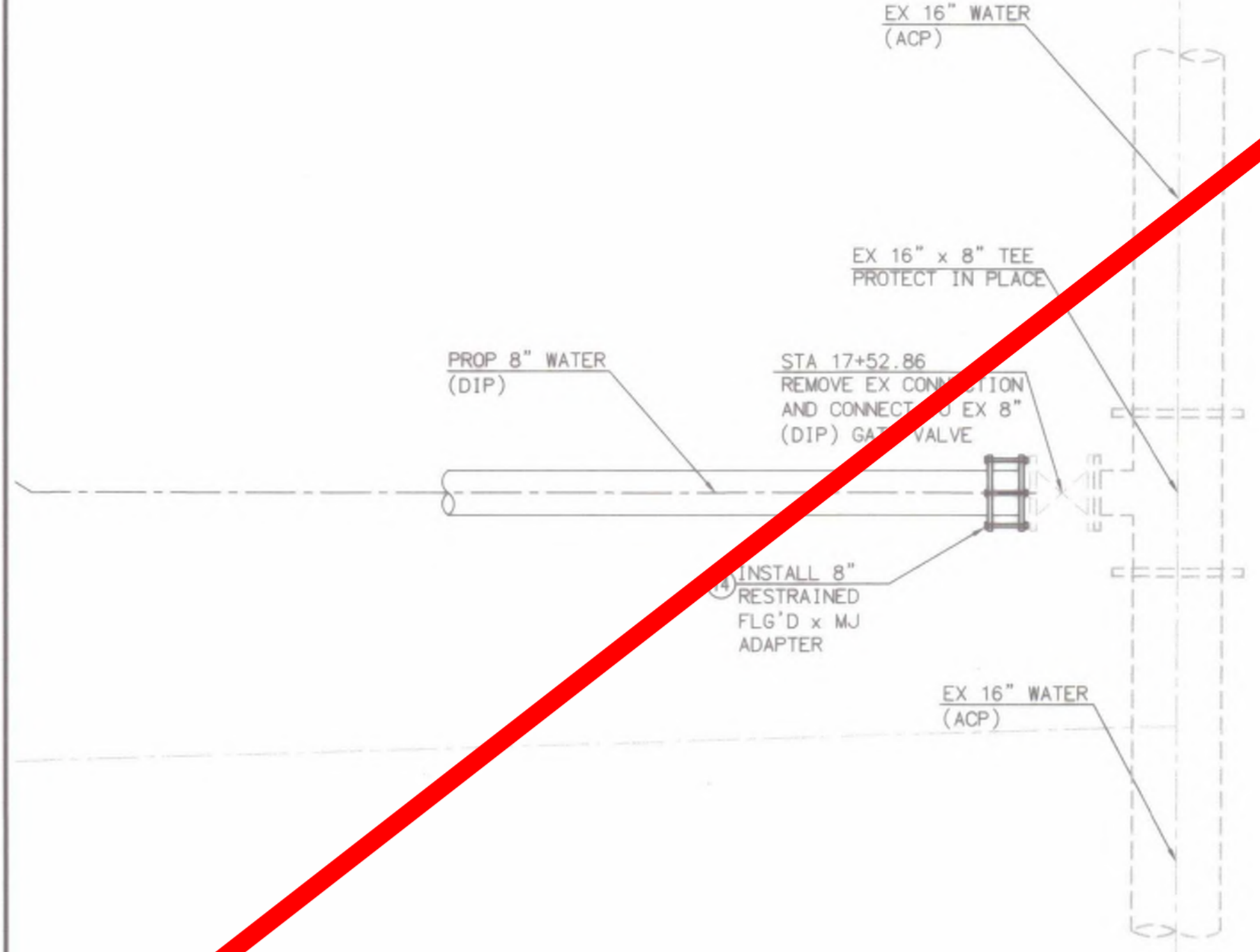
FOR: BCVWD

PZ2750

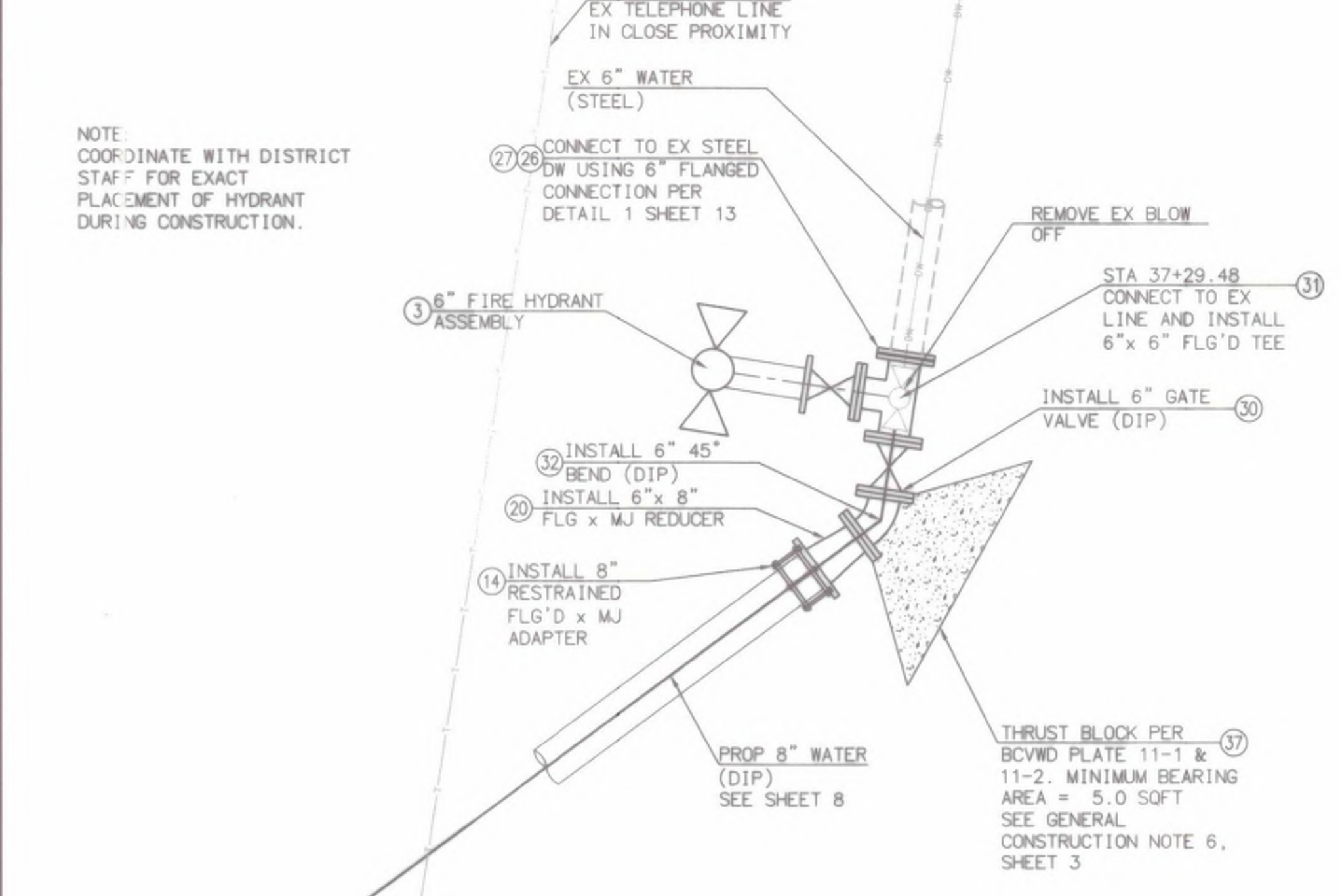
SHEET **11** OF 14 SHEETS
FILE NO.: 969X



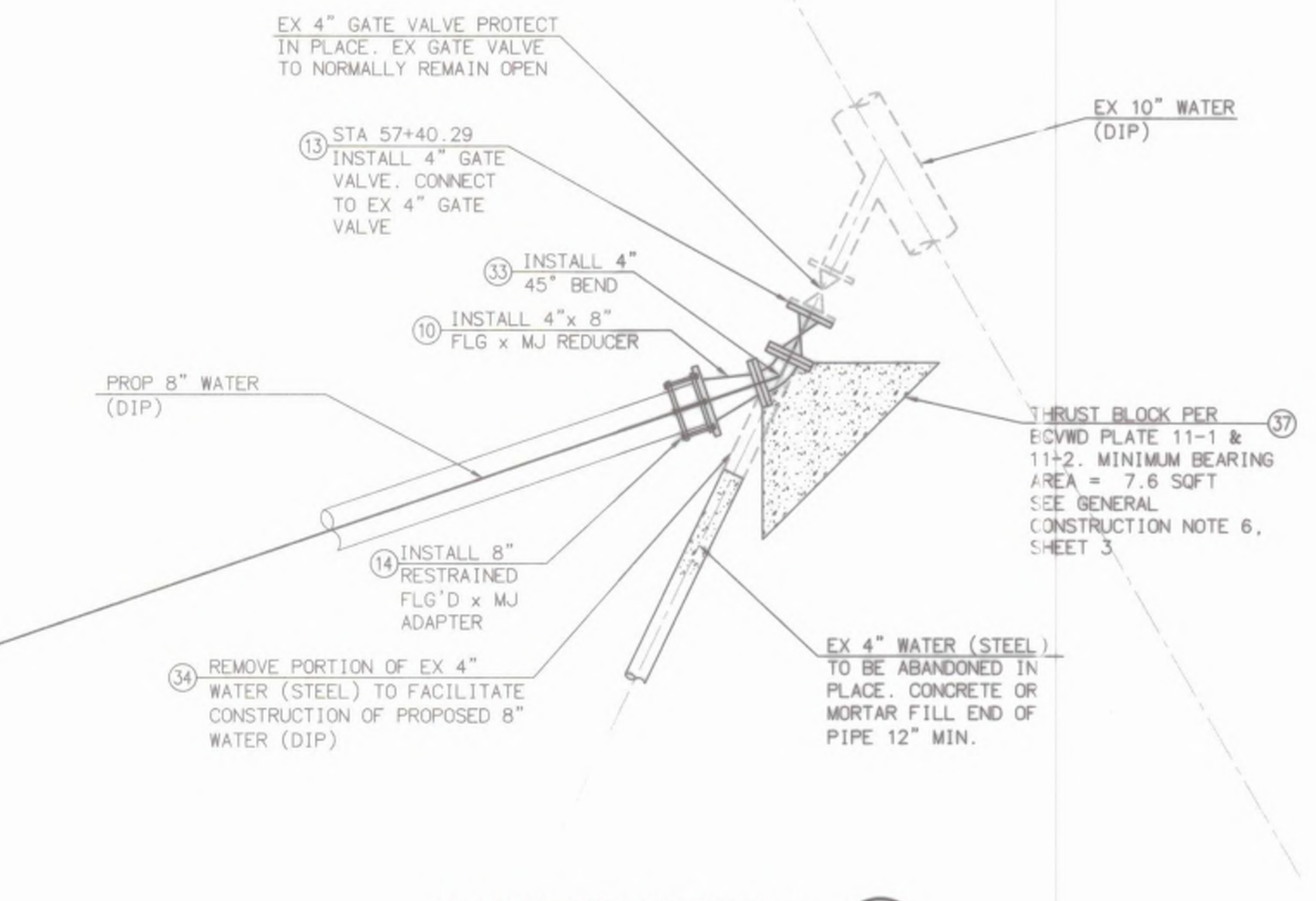
CONNECTION DETAIL 1
N.T.S.
PIPELINE 3 SEE SHEET 11



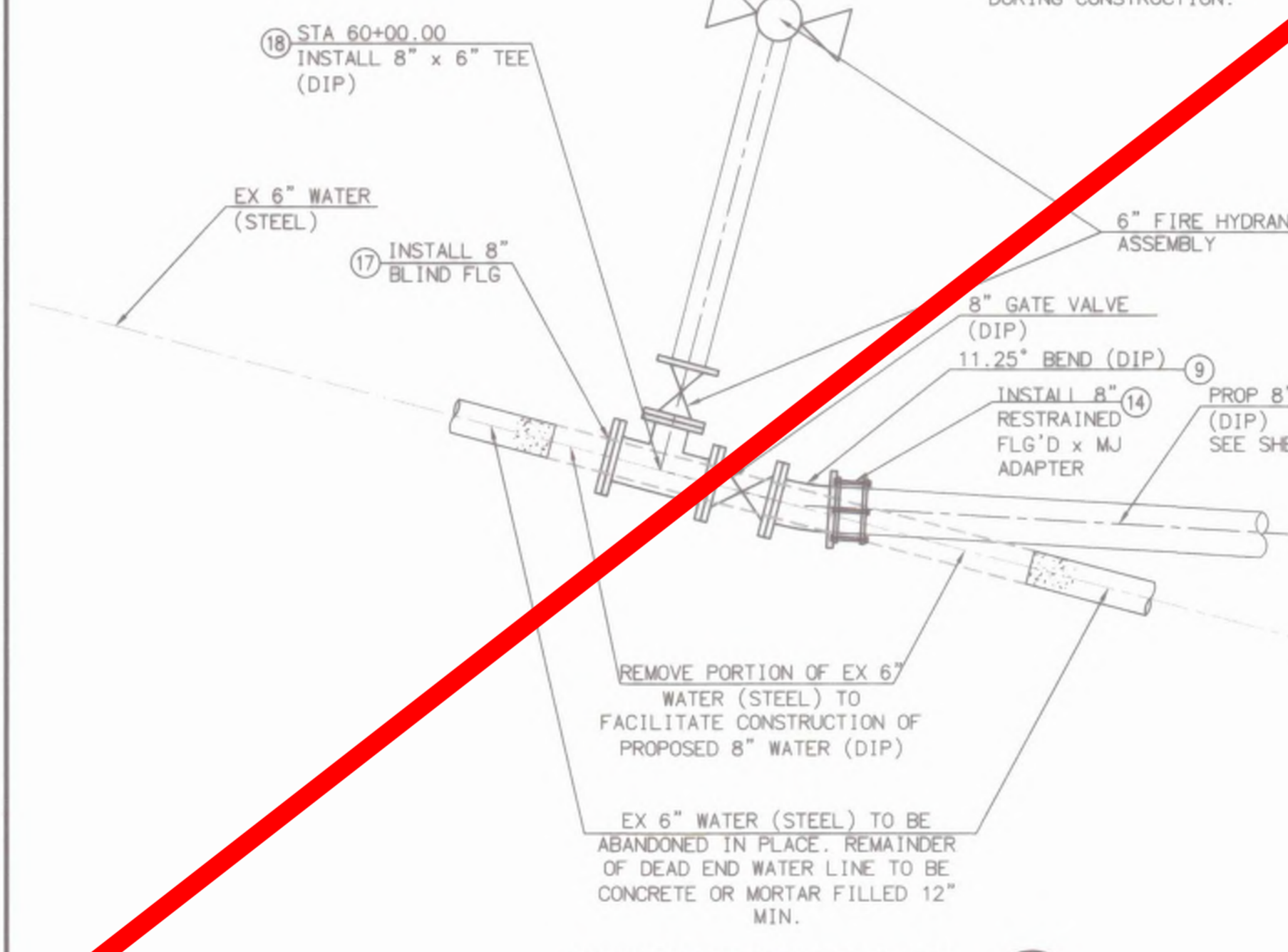
CONNECTION DETAIL 2
N.T.S.
PIPELINE 3 SEE SHEET 11



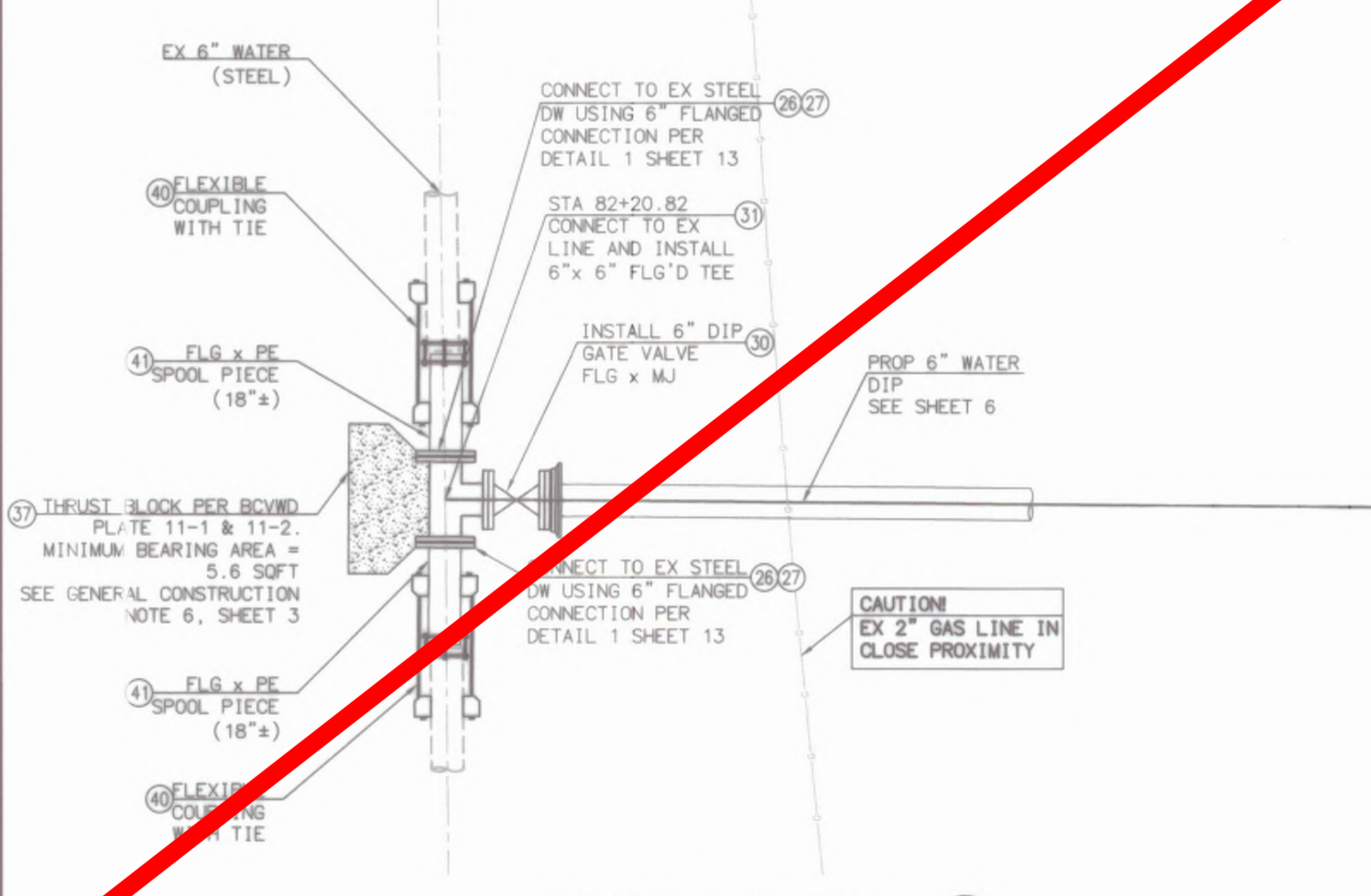
CONNECTION DETAIL 3
N.T.S.
PIPELINE 2 SEE SHEET 8



CONNECTION DETAIL 4
N.T.S.
PIPELINE 2 SEE SHEET 10



CONNECTION DETAIL 5
N.T.S.
PIPELINE 1 SEE SHEET 4



CONNECTION DETAIL 6
N.T.S.
PIPELINE 1 SEE SHEET 6

CONSTRUCTION NOTES

- 3) INSTALL TYPE JOES 3765 WET BARREL FIRE HYDRANT ASSEMBLY INCLUDING VALVE AND FITTINGS PER DETAIL 2 SHEET 1
- 9) INSTALL 8" 11.25" BEND, RESTRAINED
- 10) INSTALL 8"x4" ECCENTRIC REDUCER
- 13) INSTALL 4" FLANGED GATE VALVE PER BCVWD PLATE 2
- 14) INSTALL 8" FLGxMJ ADAPTER, RESTRAINED
- 17) INSTALL 8" BLIND FLANGE
- 18) INSTALL 8"x6" FLANGED TEE
- 20) INSTALL 8"x6" ECCENTRIC REDUCER
- 26) INSTALL SLIP ON FLANGE PER DETAIL 2 SHEET 13
- 27) INSTALL DIELECTRIC INSULATING FLANGE PER DETAIL 3 SHEET 13
- 28) INSTALL 10"x8" FLANGED TEE
- 29) INSTALL 8" FLGxMJ GATE VALVE PER BCVWD PLATE 2
- 30) INSTALL 6" FLANGED GATE VALVE PER BCVWD PLATE 2
- 31) INSTALL 6" FLANGED TEE
- 32) INSTALL 6" 45" BEND, RESTRAINED
- 33) INSTALL 4" 45" BEND, RESTRAINED
- 34) REMOVE EXISTING WATER APPURTENANCES AFTER CONSTRUCTION IS COMPLETE AND NEW WATER PIPELINES ARE IN SERVICE
- 37) INSTALL THRUST BLOCK PER BCVWD PLATE 11-1 AND 11-2, SEE GENERAL NOTE 6
- 40) INSTALL FLEXIBLE COUPLING WITH TIE PER BCVWD PLATE 9
- 41) INSTALL STEEL FLG x PE SPOOL PIECE

NOTE:
1. ALL CONNECTIONS TO EXISTING PIPE, INCLUDING JOINTS, PIPING, AND APPURTENANCES, SHALL BE POLYETHYLENE WRAPPED AND TAPED. RESTRAINT DEVICES SHALL BE WRAPPED IN THEIR ENTIRETY WITH TAPE IN ADDITION TO THE PE WRAP. CARE SHALL BE TAKEN NOT TO PUNCTURE OR TEAR THE WRAP DURING BACKFILL.

THE PRIVATE ENGINEER SIGNING THESE PLANS IS RESPONSIBLE FOR ASSURING THE ACCURACY AND ACCEPTABILITY OF THE DESIGN HEREON. IN THE EVENT OF DISCREPANCIES ARISING AFTER BCVWD APPROVAL OR DURING CONSTRUCTION, THE PRIVATE ENGINEER SHALL BE RESPONSIBLE FOR DETERMINING AN ACCEPTABLE SOLUTION AND REVISING THE PLANS FOR APPROVAL BY THE BCVWD.

NOTE:
WORK CONTAINED WITHIN THESE PLANS SHALL NOT COMMENCE UNTIL AN ENCROACHMENT PERMIT HAS BEEN ISSUED.



DIALERT
DIAL TOLL FREE
(800) 227-2600
At Least Two Working Days Before You Dig
UNDERGROUND SERVICE ALERT OF SOUTHERN CALIFORNIA

BASIS OF BEARINGS:
DESCRIPTION: CALIFORNIA COORDINATE SYSTEM, ZONE VI, NAD83 (EPOCH 2010.00) AS DETERMINED LOCALLY BY A LINE BETWEEN COR'S P584 AND MLFP BEING N84-41-07.39W AS DERIVED FROM GEODETIC VALUES PUBLISHED BY CSRC AND/OR NGS, RESPECTIVELY.

BENCHMARK:
DESCRIPTION: PER PLAN

BY	MARK	DESCRIPTION	APPR.	DATE
ENGINEER		REVISIONS		CITY

Michael Baker INTERNATIONAL
40810 COUNTY CENTER DR., SUITE 200
TEMECULA, CA 92591
PHONE: (951) 676-8042
MBAKERINTL.COM

DESIGN BY: MJB
DRAWN BY: JDC, IA
CHECKED BY: MJB
SCALE: PER PLAN
DATE: NOV. 2018
JOB NUMBER: 164160

DATE: 1/15/2021
R.C.E. 87843

MILES M. COSTANZA

BEAUMONT - CHERRY VALLEY WATER DISTRICT
Riverside County, California

Approved By: *[Signature]* Date: 6/23/21

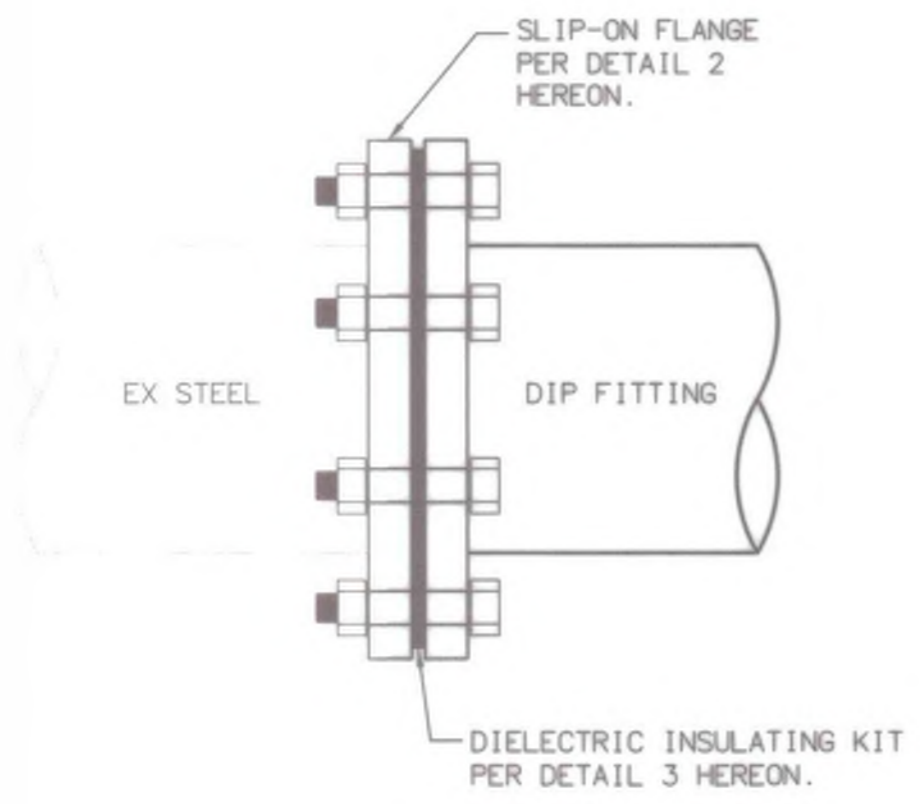
MARK SWANSON
District Engineer
R.C.E. No. 72332

MS0483 / IP200048

CITY OF BEAUMONT, CALIFORNIA
WATER PIPELINE REPLACEMENT PROJECTS

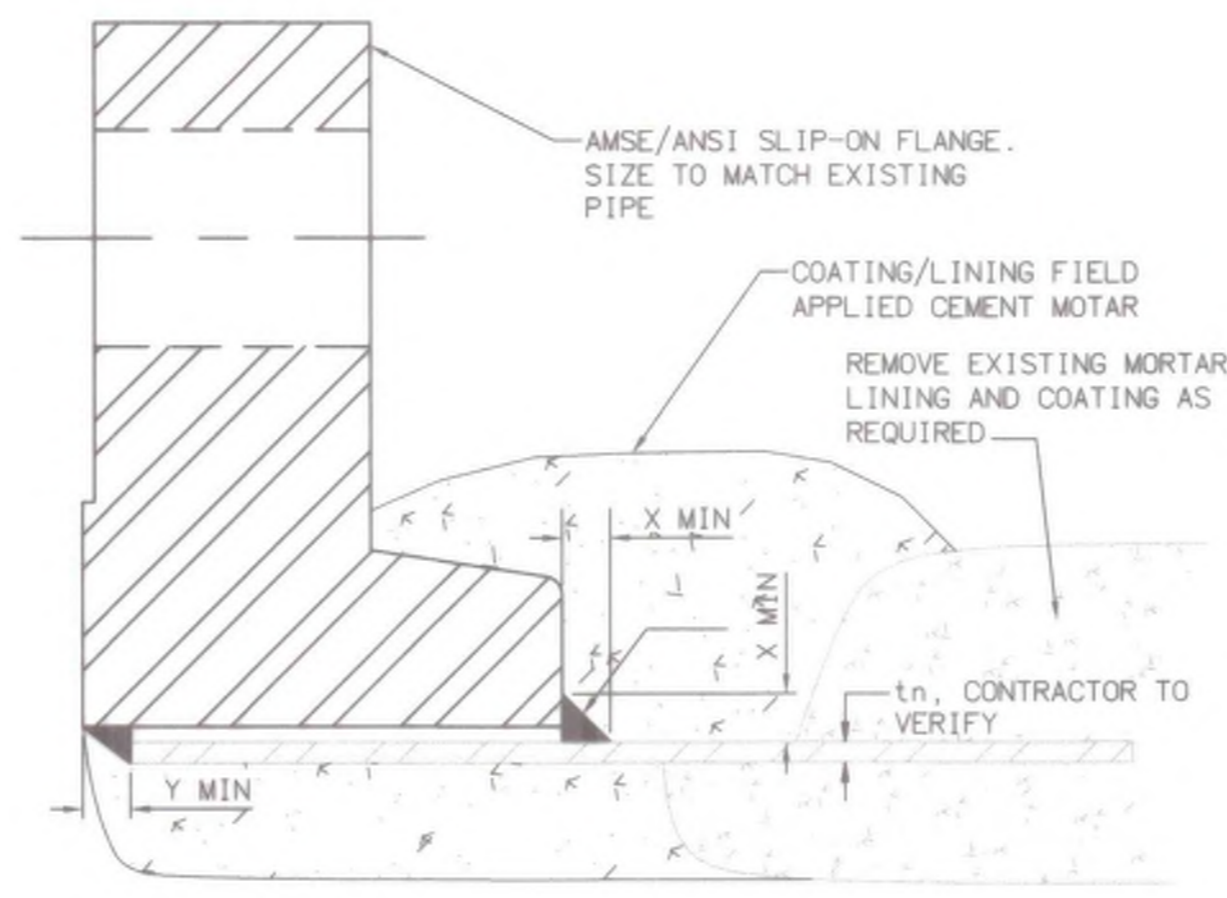
CONNECTION DETAILS

FOR: BCVWD



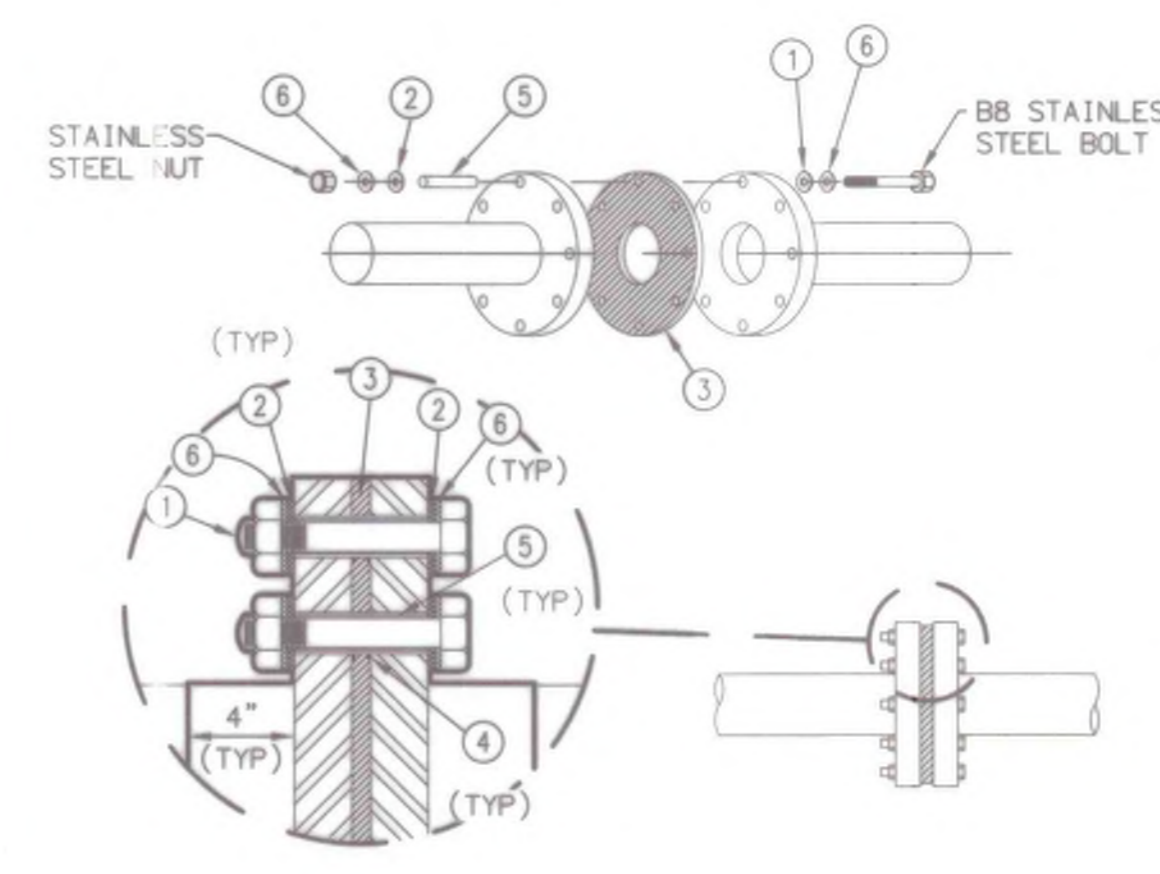
NOTES:
 1. STEEL PIPE CONNECTIONS SHALL BE PERFORMED AS SHOWN ON BCVDW PLATE 9. THIS DETAIL SHALL BE USED TO CONNECT EX STEEL PIPE TO PROP DIP FLANGE FITTINGS.

STEEL-DIP FITTING CONNECTION (1)
 N.T.S.



X MIN = THE LESSER OF $1.4 * t_n$ OR THE THICKNESS OF THE HUB
 Y MIN = THE LESSER OF t_n OR $1/4"$
 1. SLIP ON FLANGES SHALL COMPLY WITH THE REQUIREMENTS OF ASME B16.5

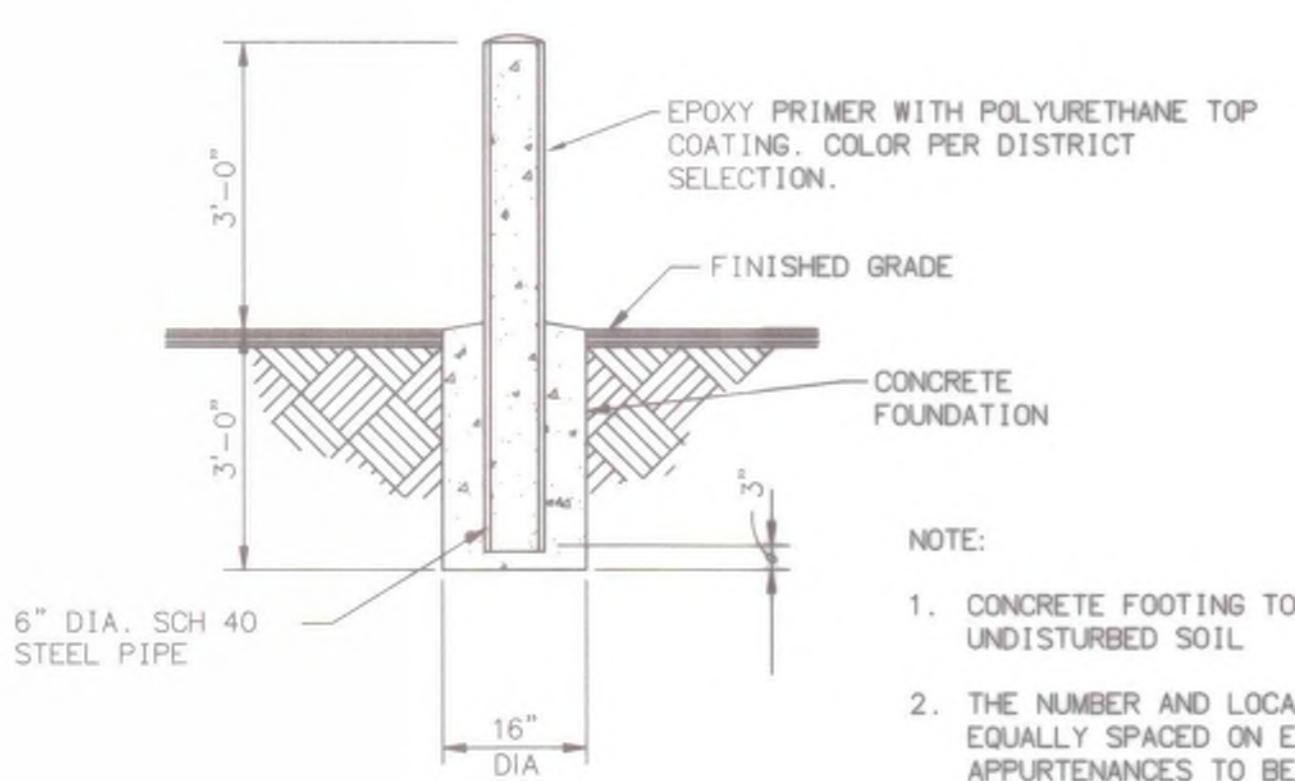
SLIP-ON FLANGE (2)
 N.T.S.



MATERIALS
 ① PROTECTIVE COATING: MICROCRYSTALLINE WAX AND PETROLATUM TAPE OR APPROVED EQUAL.
 ② WASHER: INSULATING EPOXY GLASS
 ③ GASKET: INSULATING G-10 GASKET
 ④ NEOPRENE SEAL OR EQUAL
 ⑤ SLEEVE: INSULATING EPOXY GLASS 1/32" THICK. ID = BOLT DIAMETER + 1/64"
 ⑥ WASHER: STAINLESS STEEL 1/8" THICK

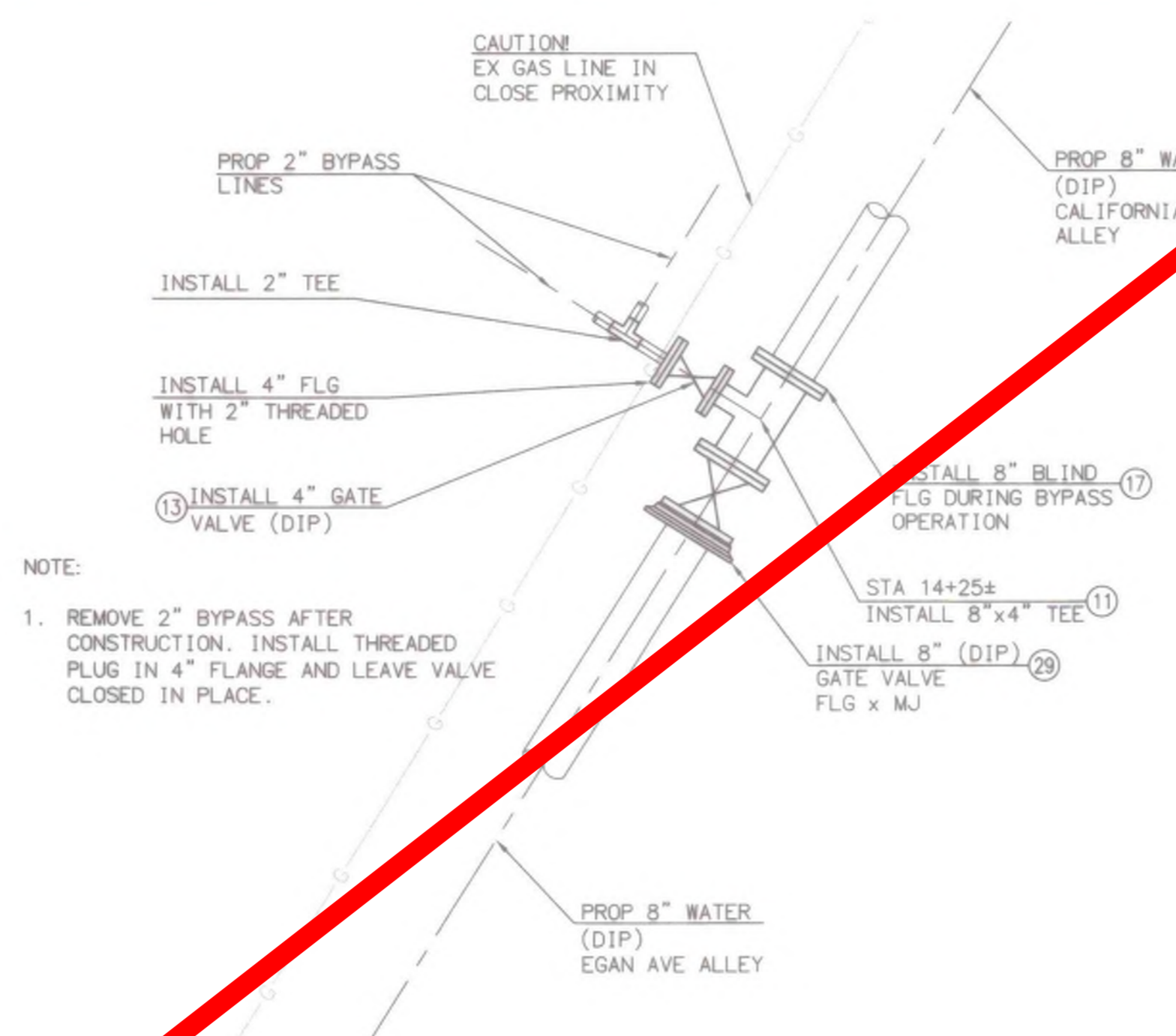
NOTES:
 1. WHEREVER POSSIBLE, INSULATING FLANGE ASSEMBLIES SHOULD BE ASSEMBLED PRIOR TO INSTALLATION & TESTED ELECTRICALLY TO ENSURE THAT INSULATING IS EFFECTIVE.
 2. INSULATING MATERIALS SHOULD BE ORDERED AS A SET BY FLANGE SIZE & FLANGE RATING. ONE SET OF INSULATING MATERIALS INCLUDES G-10 INSULATING GASKET, SLEEVES & WASHERS AND STEEL BACK-UP WASHERS. GASKET SHALL BE SELF CENTERING.
 3. INSULATING FLANGE SHALL BE TESTED PER NACE SP0286 PRIOR TO BACKFILL.

DIELECTRIC INSULATING FLANGE (3)
 N.T.S.



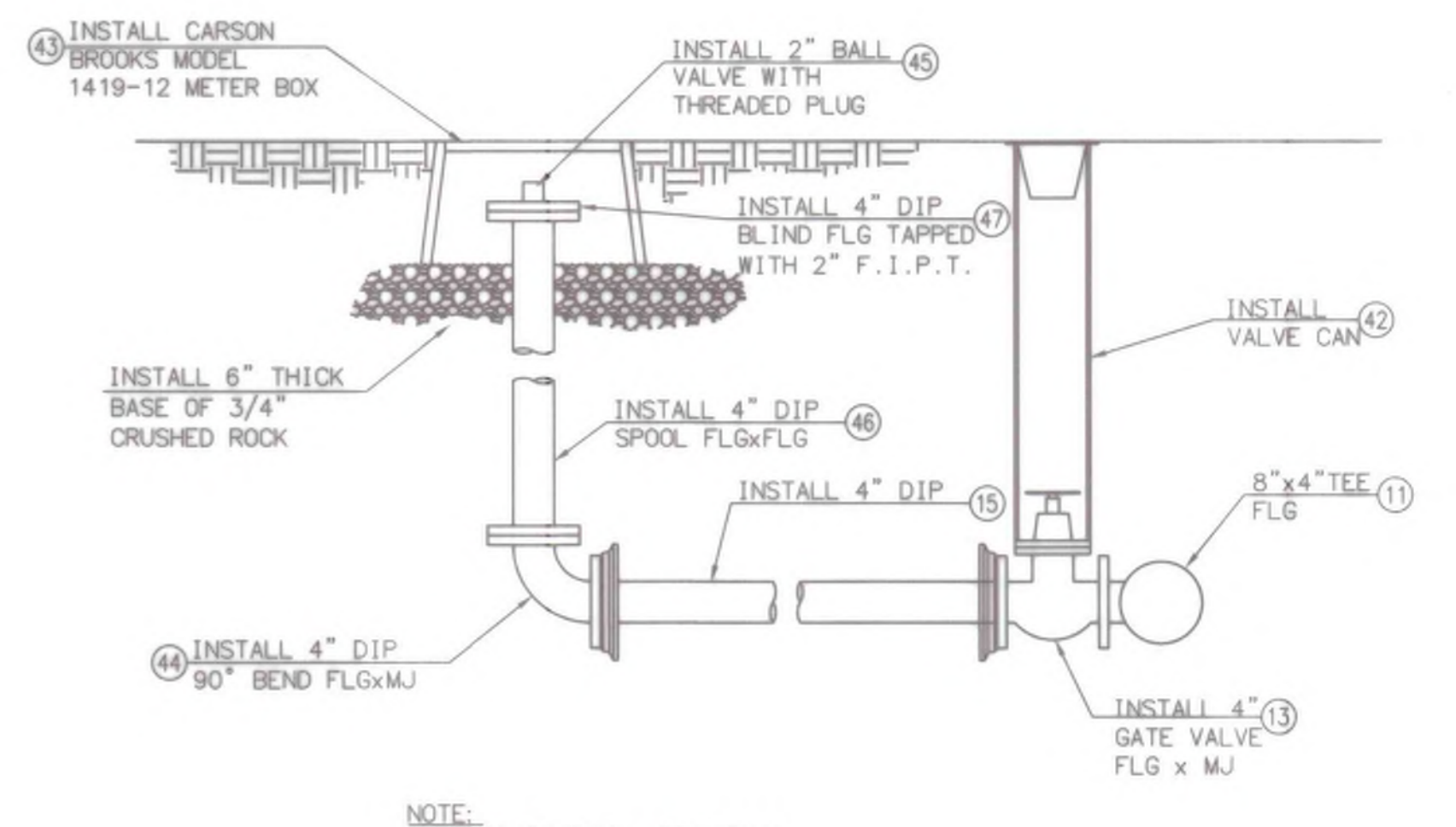
NOTE:
 1. CONCRETE FOOTING TO BE POURED AGAINST UNDISTURBED SOIL.
 2. THE NUMBER AND LOCATION OF POSTS ARE TO BE EQUALLY SPACED ON EACH SIDE OF APPURTENANCES TO BE PROTECTED WITH A MINIMUM OF 3' FROM FIRE HYDRANTS AND 2' FROM AV/AR OR AS SHOWN ON PLANS OR AS DIRECTED BY THE DISTRICT.

BOLLARD DETAIL (4)
 N.T.S.



NOTE:
 1. REMOVE 2" BYPASS AFTER CONSTRUCTION. INSTALL THREADED PLUG IN 4" FLANGE AND LEAVE VALVE CLOSED IN PLACE.

HIGH-LINE CONNECTION DETAIL (5)
 N.T.S.
 SEE SHEET 11



NOTE:
 ALL JOINTS SHALL BE FULLY RESTRAINED.

BLOW OFF ASSEMBLY (6)
 N.T.S.

CONSTRUCTION NOTES

- ⑩ INSTALL 8"x4" FLANGED TEE
- ⑬ INSTALL 4" FLANGED GATE VALVE PER BCVDW PLATE 2
- ⑮ INSTALL 4" DUCTILE IRON PIPE (CLASS 350) AND BEDDING PER BCVDW PLATE 6-1 (36" MIN COVER)
- ⑰ INSTALL 8" BLIND FLANGE
- ⑲ INSTALL 8" FLGxMJ GATE VALVE PER BCVDW PLATE 2
- ⑳ INSTALL VALVE CAN PER BCVDW PLATE 2
- ④③ INSTALL CARSON BROOKS MODEL 1419-12 METER BOX
- ④④ INSTALL 4" DIP 90° BEND FLGxMJ
- ④⑤ INSTALL 2" BALL VALVE WITH THREADED PLUG
- ④⑥ INSTALL 4" DIP SPOOL FLGxFLG
- ④⑦ INSTALL 4" DIP BLIND FLANGE TAPPED WITH 2" F.I.P.T.

NOTE:
 1. ALL CONNECTIONS TO EXISTING PIPE, INCLUDING JOINTS, PIPING, AND APPURTENANCES, SHALL BE POLYETHYLENE WRAPPED AND TAPED. RESTRAINT DEVICES SHALL BE WRAPPED IN THEIR ENTIRETY WITH TAPE IN ADDITION TO THE PE WRAP. CARE SHALL BE TAKEN NOT TO PUNCTURE OR TEAR THE WRAP DURING BACKFILL.

THE PRIVATE ENGINEER SIGNING THESE PLANS IS RESPONSIBLE FOR ASSURING THE ACCURACY AND ACCEPTABILITY OF THE DESIGN HEREON. IN THE EVENT OF DISCREPANCIES ARISING AFTER BCVDW APPROVAL OR DURING CONSTRUCTION, THE PRIVATE ENGINEER SHALL BE RESPONSIBLE FOR DETERMINING AN ACCEPTABLE SOLUTION AND REVISIONS TO THE PLANS FOR APPROVAL BY THE BCVDW.



NOTE:
 WORK CONTAINED WITHIN THESE PLANS SHALL NOT COMMENCE UNTIL AN ENCROACHMENT PERMIT HAS BEEN ISSUED.

1/15/2021



BASIS OF BEARINGS:
 DESCRIPTION: CALIFORNIA COORDINATE SYSTEM, ZONE VI, NAD83 (EPOCH 2010.00) AS DETERMINED LOCALLY BY A LINE BETWEEN COR'S P-584 AND MLFP BEING N84-41-07.39W AS DERIVED FROM GEODETIC VALUES PUBLISHED BY CSRC AND/OR NGS, RESPECTIVELY.

BENCHMARK:
 DESCRIPTION: PER PLAN

BY	MARK	DESCRIPTION	APPR.	DATE
ENGINEER		REVISIONS		CITY

Michael Baker INTERNATIONAL
 40810 COUNTY CENTER DR., SUITE 200
 TEMECULA, CA 92591
 PHONE: (951) 676-8042
 MBAKERINTL.COM

DATE: 1/15/2021
 R.C.E. 87843

MILES M. COSTANZA

DESIGN BY: MJB
 DRAWN BY: JDC, IA
 CHECKED BY: MJB
 SCALE: PER PLAN
 DATE: NOV. 2018
 JOB NUMBER: 164160

BEAUMONT - CHERRY VALLEY WATER DISTRICT
 Riverside County, California

Approved:
 MARK SWANSON
 District Engineer
 R.C.E. No. 72332

Date: 1/23/21

CITY OF BEAUMONT, CALIFORNIA
 WATER PIPELINE REPLACEMENT PROJECTS

DETAILS

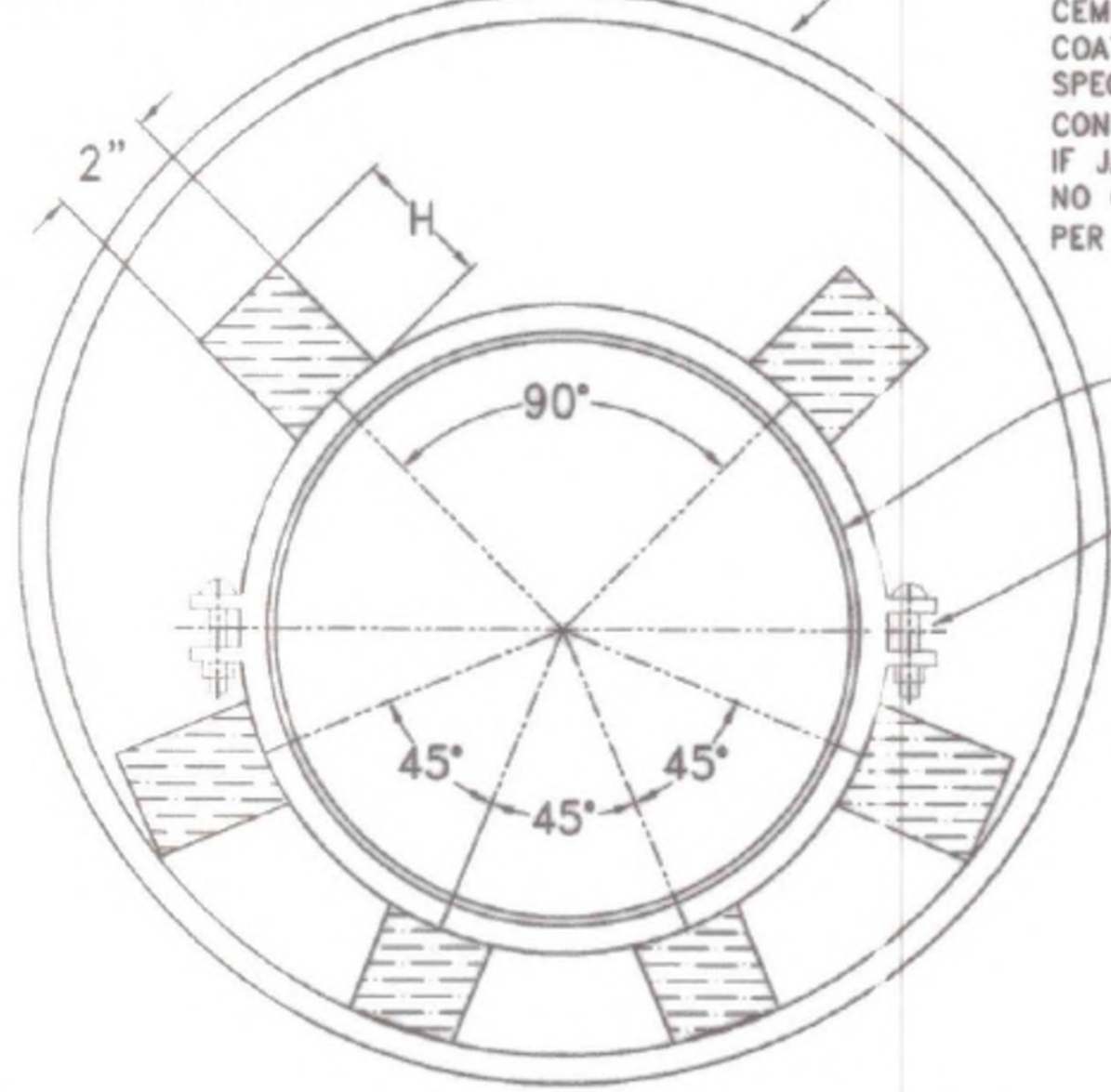
FOR: BCVDW

SHEET
13
 OF 14 SHEETS
 FILE NO.: 969X

MS0483 / IP200048

COUNTY OVERSIGHT ENGINEER
Benjie Cho, P.E.
 APPROVED AS TO COMPLIANCE WITH APPLICABLE COUNTY STANDARDS AND PRACTICES

STAINLESS STEEL CASING INSULATOR
MODEL M SERIES SPACERS



STEEL CASING SHALL BE ASPHALT COATED & WRAPPED PER SECTION 207-10.4.5, CEMENT MORTAR LINING AND ASPHALT COATING AND WRAPPING OF THE STANDARD SPECIFICATION FOR PUBLIC WORKS CONSTRUCTION (EXTERIOR SURFACE ONLY) IF JACKING IS UTILIZED FOR CASING INSTALLATION. NO COATING SHALL BE APPLIED. PER SECTION 306-2.1/203 (SSPW)

IRRIGATION PIPELINE
BOLTING FLANGES

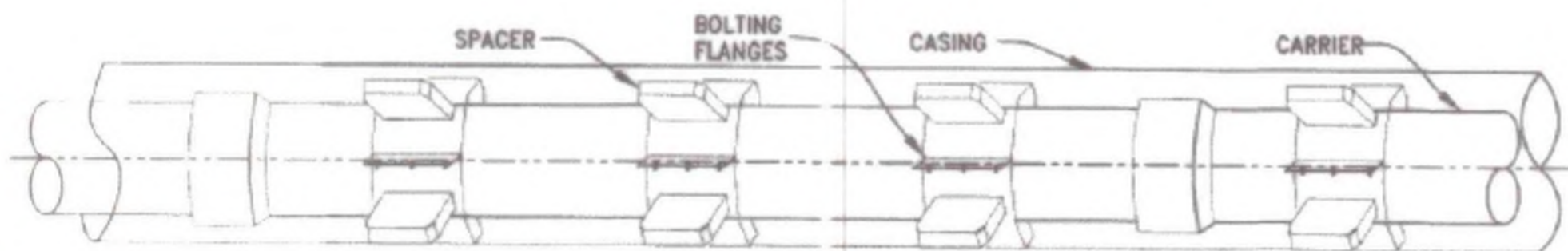
*SEE NOTE 1

NOTES: CALPICO INC. MODEL M SERIES SPACERS

1. STAINLESS STEEL
2. NON-CENTERING CONFIGURATION
3. 2.00 INCH WIDE RUNNERS
4. H SHALL PROVIDE FOR A MINIMUM OF 1" CLEARANCE ABOVE THE MECHANICAL PIPE JOINT RESTRAINT SYSTEM.

STEEL CASING:

1. NO SPIRAL WELD CASING ALLOWED
2. ALL JOINTS WITHIN CASING SHALL BE FULLY RESTRAINED.
3. EXTERIOR SURFACE OF CASING SHALL BE ASPHALT COATED AND WRAPPED PER APPLICABLE PROVISION OF SECTION 207-10.4.5, CEMENT MORTAR LINING AND ASPHALT COATING AND WRAPPING, OF THE STANDARD SPECIFICATION FOR PUBLIC WORKS CONSTRUCTION.
4. IF JACKING IS UTILIZED NO COATING TO BE APPLIED TO CASING.



NOMINAL PIPE DIAMETER	CASING DIAMETER	CASING WALL THICKNESS (AS PER LISTED) (MIN 1997)	CASING WALL THICKNESS (AS PER LISTED) (MIN 1997)
12"	24"	.375	.250
18"	36"	.500	.375
24"	42"	.750	.500
30"	54"	.750	.500
36"	66"	.750	.750
42"	72"	.750	.750

1.*NOTE: CASING ENDS SHALL BE SEALED WITH CALPICO INC. MODEL W, END SEAL PER CVWD DETAIL I-40A.

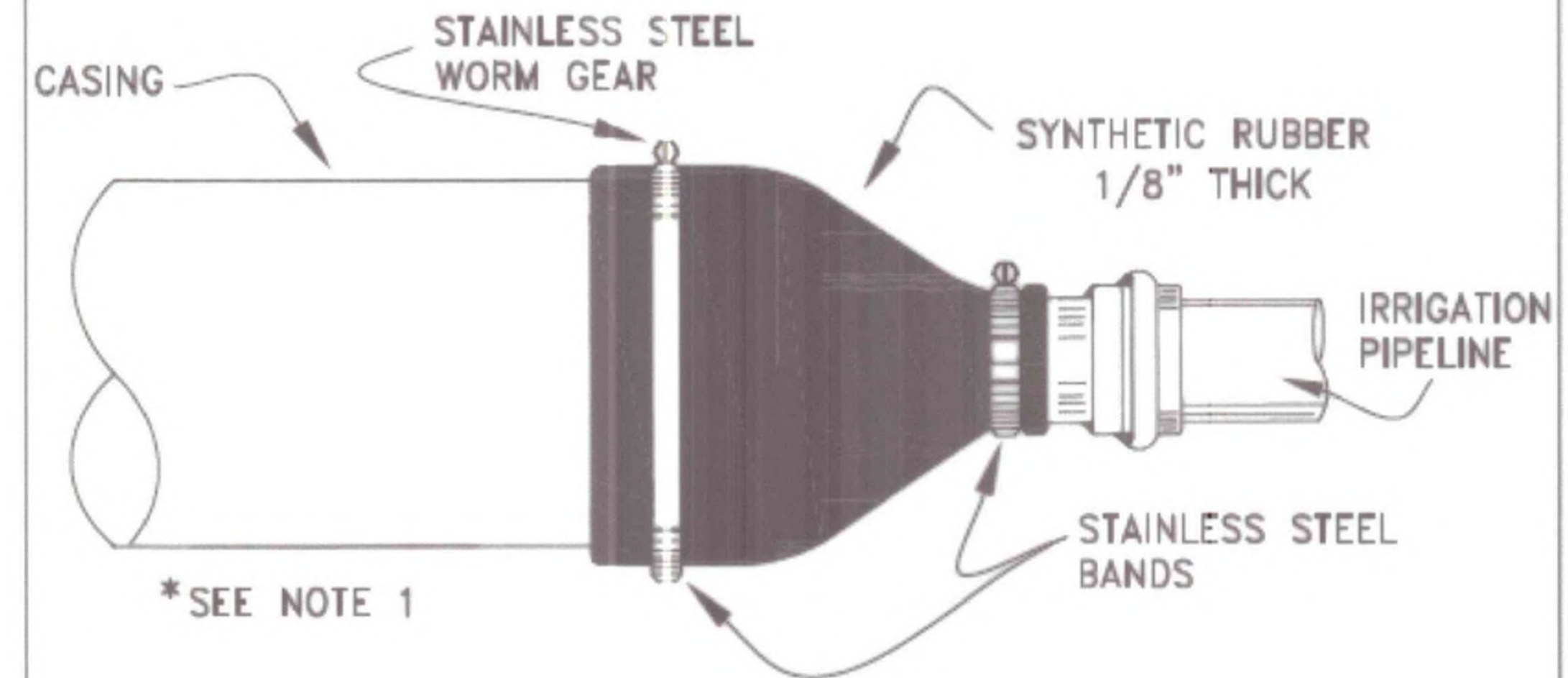
COACHELLA VALLEY WATER DISTRICT

STANDARD CASING FOR IRRIGATION PIPELINE

APPROVAL DATE: JAN. 2007 I-40



MODEL W WRAP- AROUND, SPLIT STYLE



*SEE NOTE 1

CALPICO INC. MODEL W END SEALS OR APPROVED EQUAL

THICKNESS	70 MIL	ELONGATION		ULTIMATE	
PERMEANCE	0.002	PUNCTURE RESISTANCE		225 LBS. AVERAGE	
PLIABILITY	PASSES				

1.*NOTE: FOR CASING DETAIL REFER TO CVWD I-40



COACHELLA VALLEY WATER DISTRICT

IRRIGATION STANDARD END SEALS FOR CASING IRRIGATION PIPELINE

APPROVAL DATE: MARCH 2007 I-40A

THE PRIVATE ENGINEER SIGNING THESE PLANS IS RESPONSIBLE FOR ASSURING THE ACCURACY AND ACCEPTABILITY OF THE DESIGN HEREON. IN THE EVENT OF DISCREPANCIES ARISING AFTER BCWD APPROVAL OR DURING CONSTRUCTION, THE PRIVATE ENGINEER SHALL BE RESPONSIBLE FOR DETERMINING AN ACCEPTABLE SOLUTION AND REVISIONS TO THE PLANS FOR APPROVAL BY THE BCWD.



NOTE:
WORK CONTAINED WITHIN THESE PLANS SHALL NOT COMMENCE UNTIL AN ENCROACHMENT PERMIT HAS BEEN ISSUED.

1/15/2021



BASIS OF BEARINGS:
DESCRIPTION: CALIFORNIA COORDINATE SYSTEM, ZONE VI, NAD83 (EPOCH 2010.00) AS DETERMINED LOCALLY BY A LINE BETWEEN CORNS P-584 AND MLFP BEING N84-41-07.39W AS DERIVED FROM GEODETIC VALUES PUBLISHED BY CSRC AND/OR NGS, RESPECTIVELY.

BENCHMARK:
DESCRIPTION: PER PLAN

BY	MARK	DESCRIPTION	APPR.	DATE
ENGINEER		REVISIONS		CITY

Michael Baker INTERNATIONAL

40810 COUNTY CENTER DR., SUITE 200
TEMECULA, CA 92591
PHONE: (951) 676-8042
MBAKERINTL.COM

MILES M. COSTANZA
DATE: 1/15/2021
R.C.E. 87843

DESIGN BY: MJB
DRAWN BY: JDC, IA
CHECKED BY: MJB
SCALE: PER PLAN
DATE: NOV. 2018
JOB NUMBER: 164160

BEAUMONT - CHERRY VALLEY WATER DISTRICT
Riverside County, California

Approved By: MARK SWANSON
District Engineer
R.C.E. No. 72332

Date: 4/23/21

MS0483 / IP200048

CITY OF BEAUMONT, CALIFORNIA
WATER PIPELINE REPLACEMENT PROJECTS

CASING DETAILS

FOR: BCVWD

SHEET

14

OF 14 SHEETS

FILE NO.:

969X

COUNTY OVERSIGHT ENGINEER
Benjie Cho, P.E.
APPROVED AS TO COMPLIANCE WITH APPLICABLE COUNTY STANDARDS AND PRACTICES

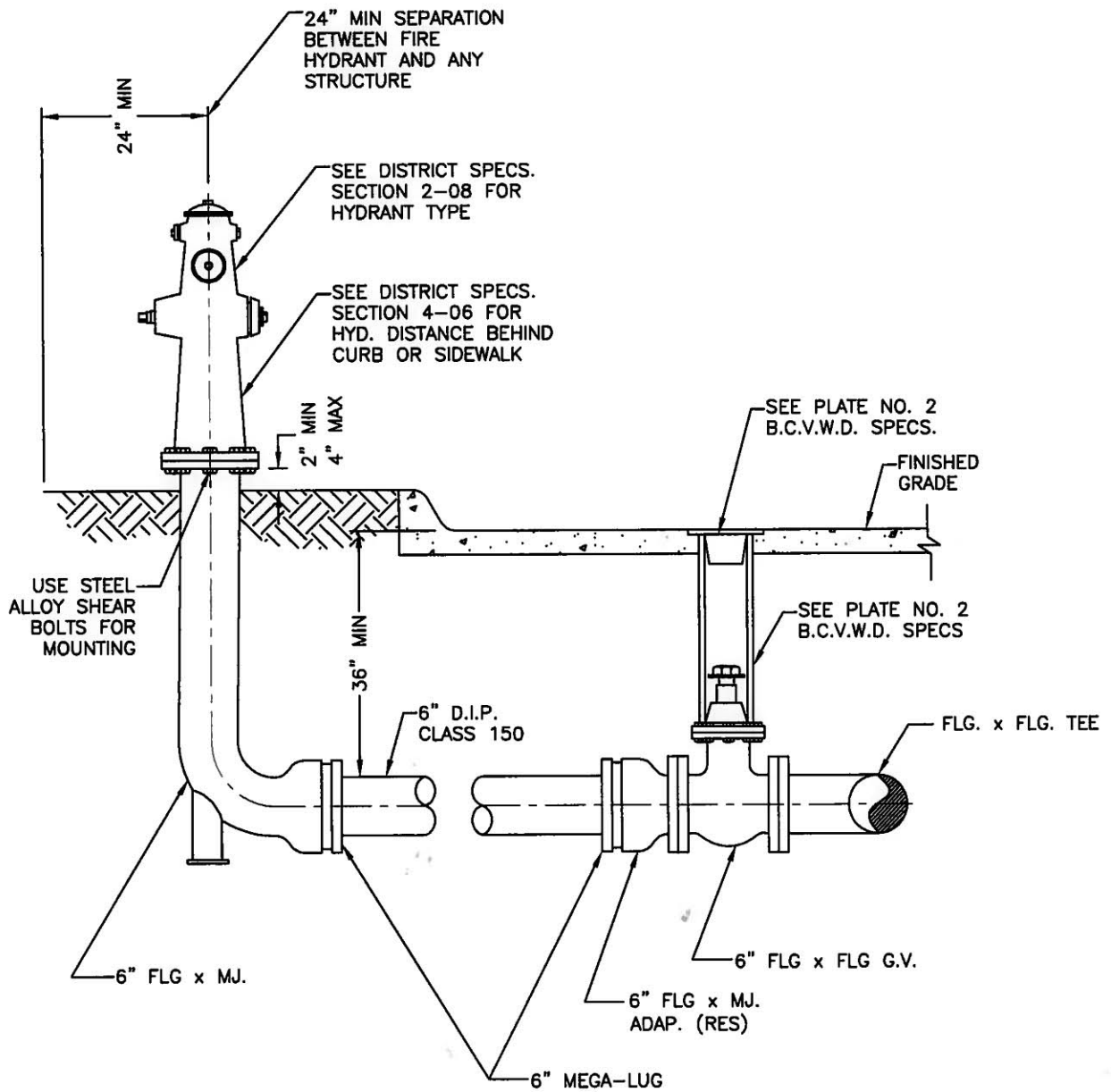
BEAUMONT-CHERRY VALLEY WATER DISTRICT

2017 WATER PIPELINE REPLACEMENT PROJECT

PIPELINE 2 – P-3620-0015

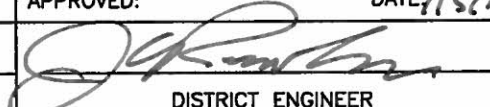
APPENDIX B

STANDARD DRAWINGS

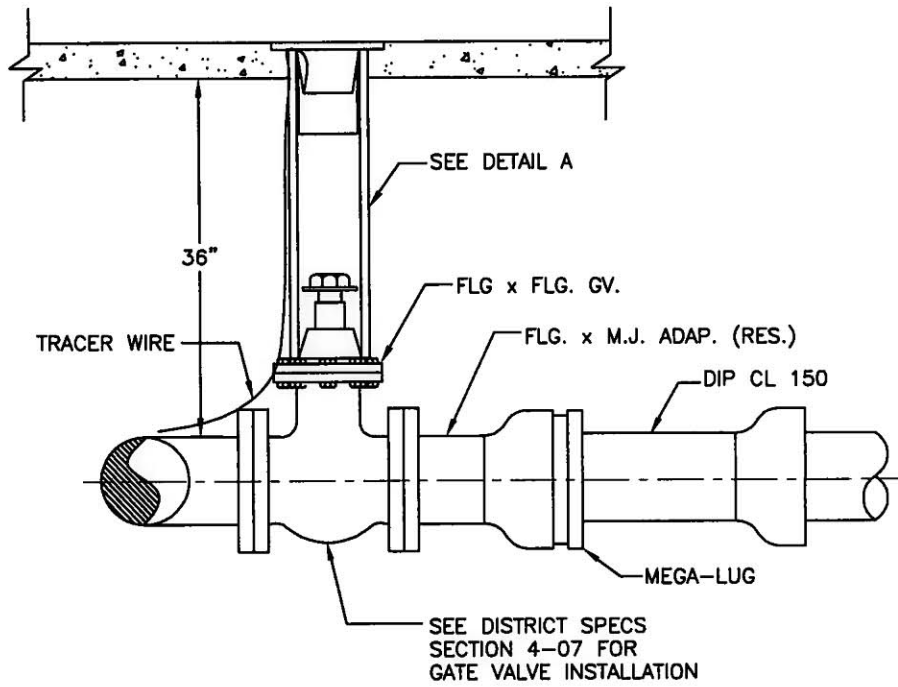


NOTE:
SHEAR BOLTS SHALL BE USED EVEN IF BREAK AWAY SPOOLS
ARE USED ON TOP OF BURY.

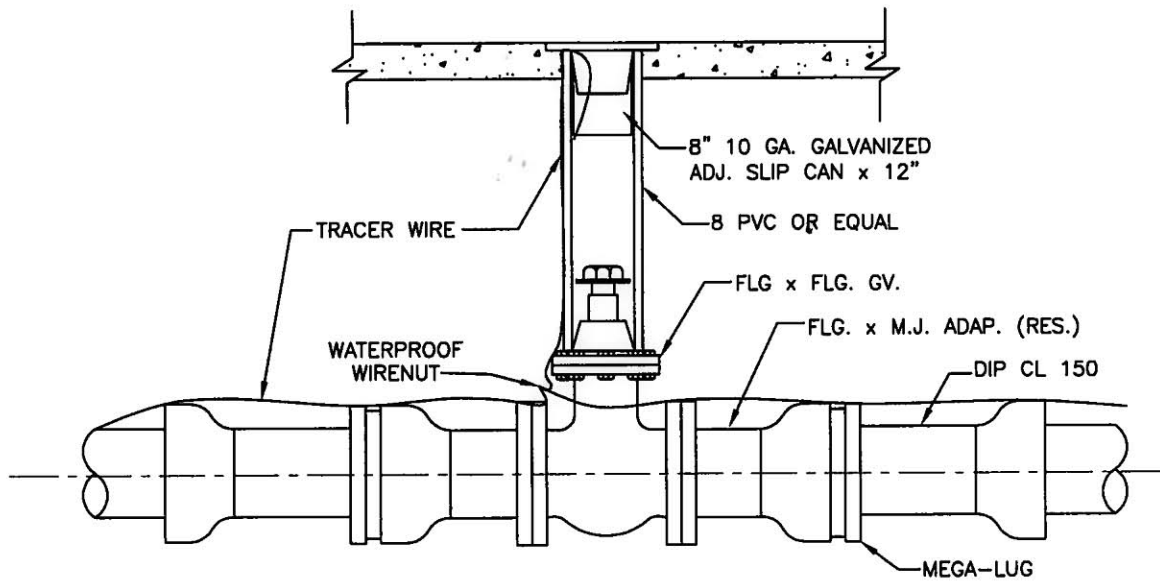
NOT TO SCALE

REVISED	PREPARED BY: PARSONS	DATE: 08/06	BEAUMONT CHERRY VALLEY WATER DISTRICT	
12/10	APPROVED:	DATE: 1/12/11		
	 DISTRICT ENGINEER		STANDARD FIRE HYDRANT	PLATE 1

FILE: X:\BCWD_Projects\District_Projects\Standards\Plates

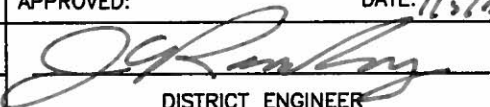


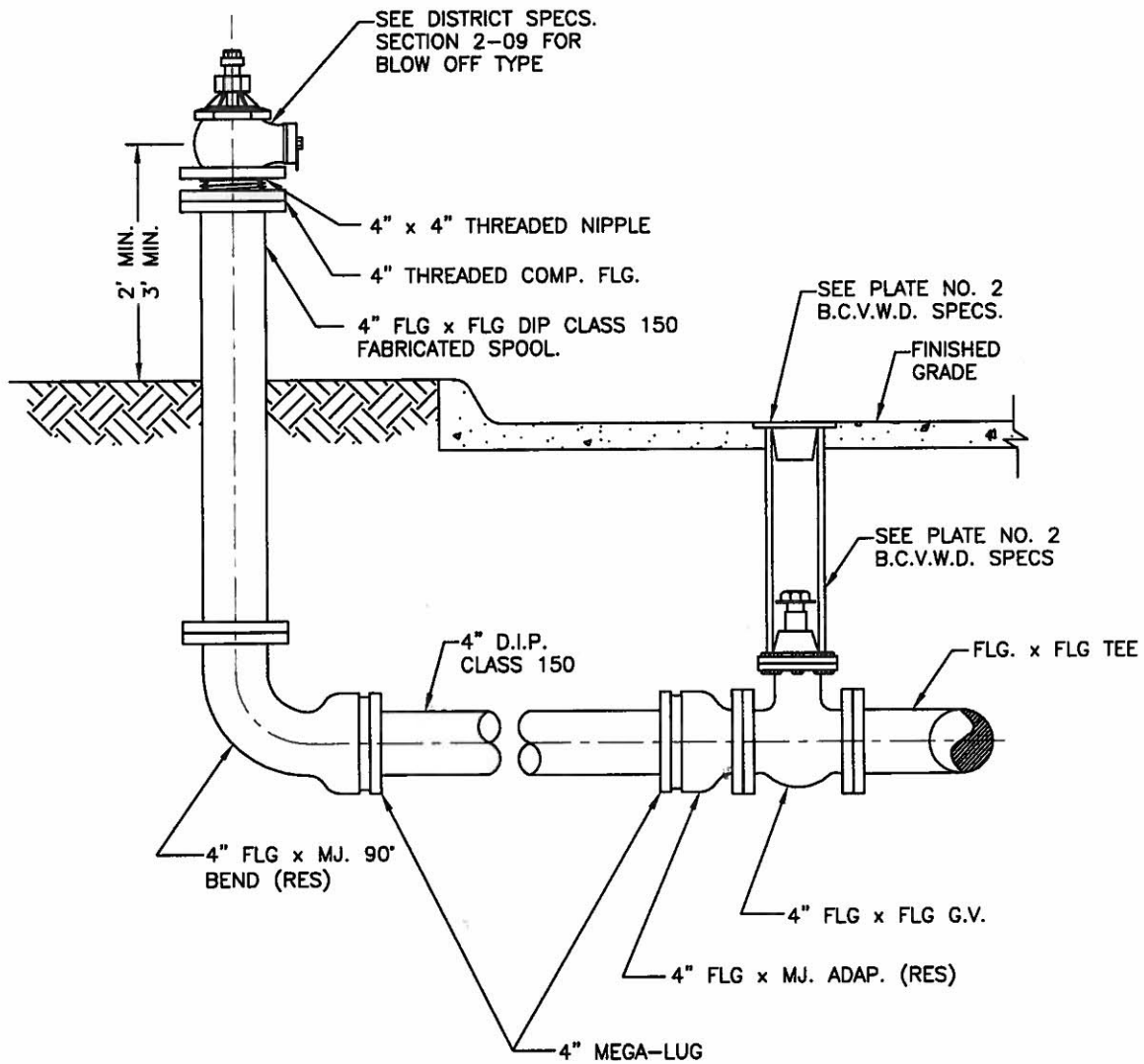
DETAIL B--(LATERAL VALVE)



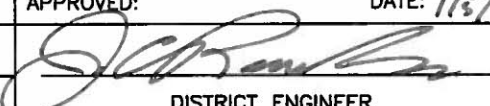
DETAIL-A (IN LINE VALVE)

NOT TO SCALE

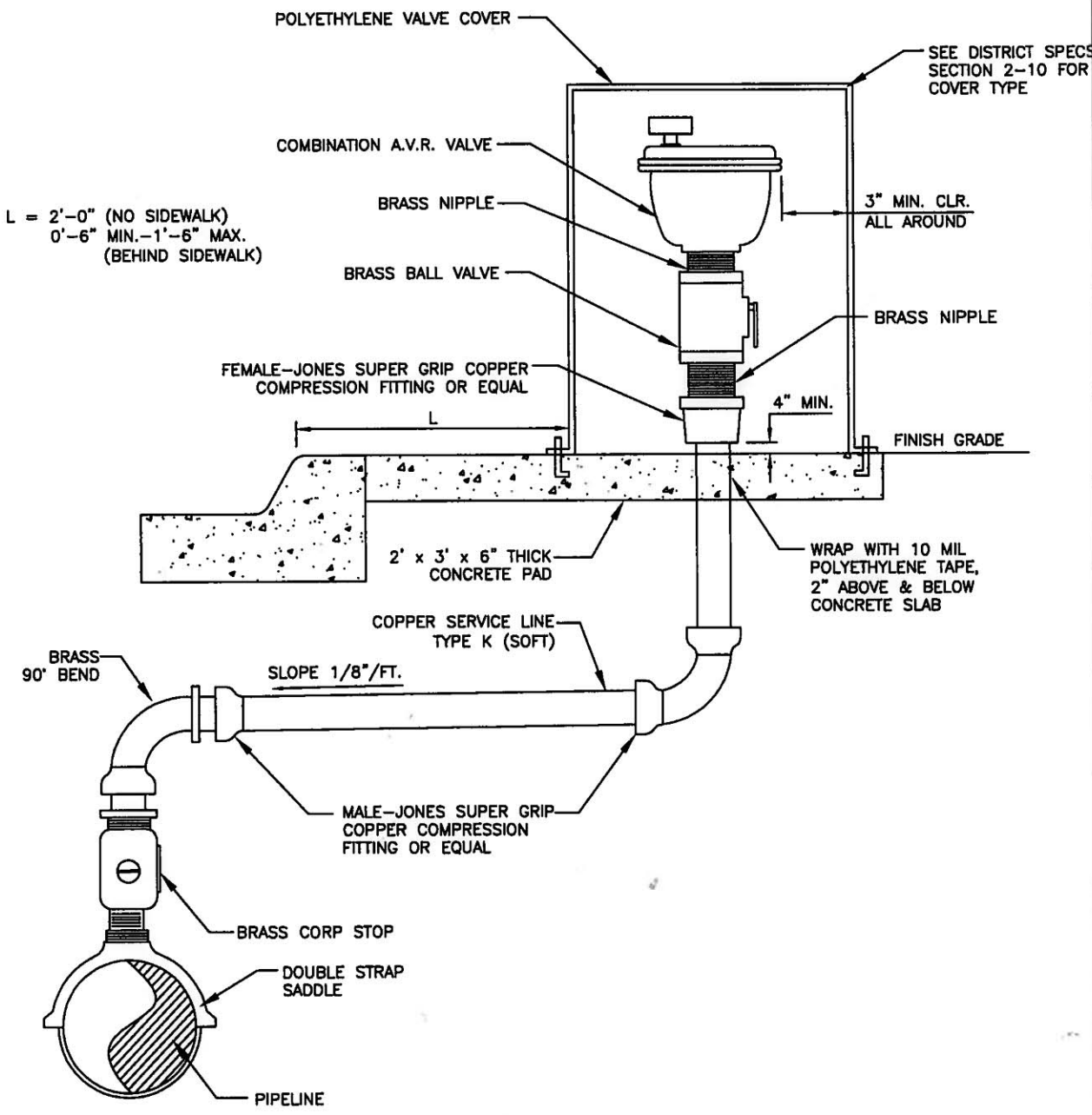
REVISED	PREPARED BY: PARSONS	DATE: 08/06	BEAUMONT CHERRY VALLEY WATER DISTRICT	
12/10	APPROVED:	DATE: 11/5/10		
	 DISTRICT ENGINEER		GATE VALVE/VALVE CAN INSTALLATION	PLATE 2



NOT TO SCALE

REVISED	PREPARED BY: PARSONS	DATE: 08/06	BEAUMONT CHERRY VALLEY WATER DISTRICT	
12/10	APPROVED:	DATE: 11/5/10		
	 DISTRICT ENGINEER		4-INCH BLOWOFF DETAIL	PLATE 3-1

FILE: X:\BCVWD_Projects\District_Projects\Standards\Plates



L = 2'-0" (NO SIDEWALK)
 0'-6" MIN.-1'-6" MAX.
 (BEHIND SIDEWALK)

SEE DISTRICT SPECS
 SECTION 2-10 FOR
 COVER TYPE

3" MIN. CLR.
 ALL AROUND

4" MIN.

FINISH GRADE

2' x 3' x 6" THICK
 CONCRETE PAD

WRAP WITH 10 MIL
 POLYETHYLENE TAPE,
 2" ABOVE & BELOW
 CONCRETE SLAB

COPPER SERVICE LINE
 TYPE K (SOFT)

SLOPE 1/8"/FT.

BRASS
 90° BEND

MALE-JONES SUPER GRIP
 COPPER COMPRESSION
 FITTING OR EQUAL

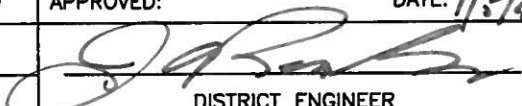
BRASS CORP STOP

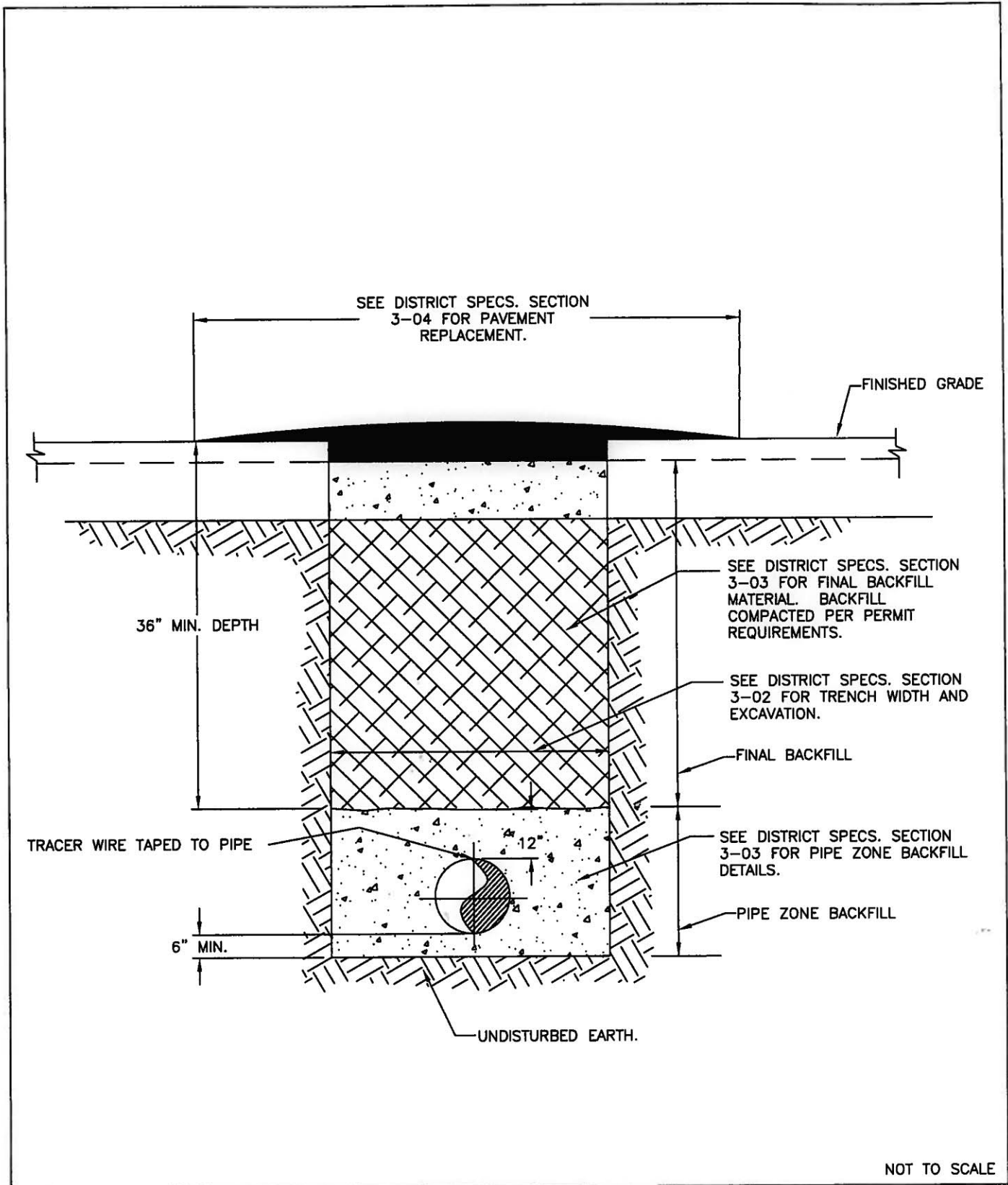
DOUBLE STRAP
 SADDLE

PIPELINE

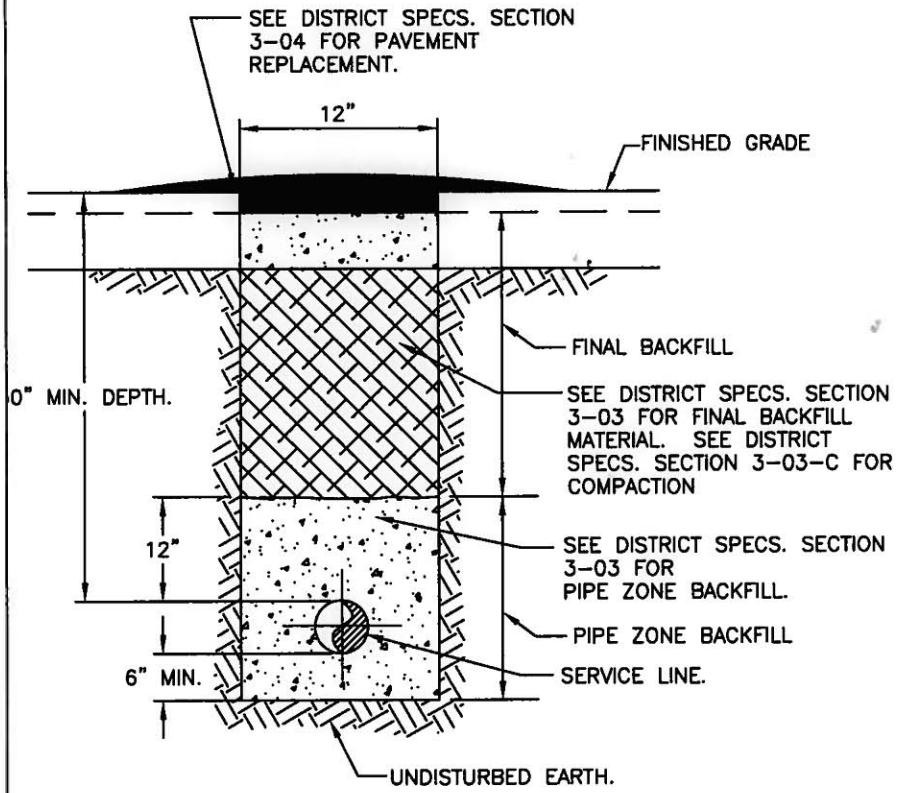
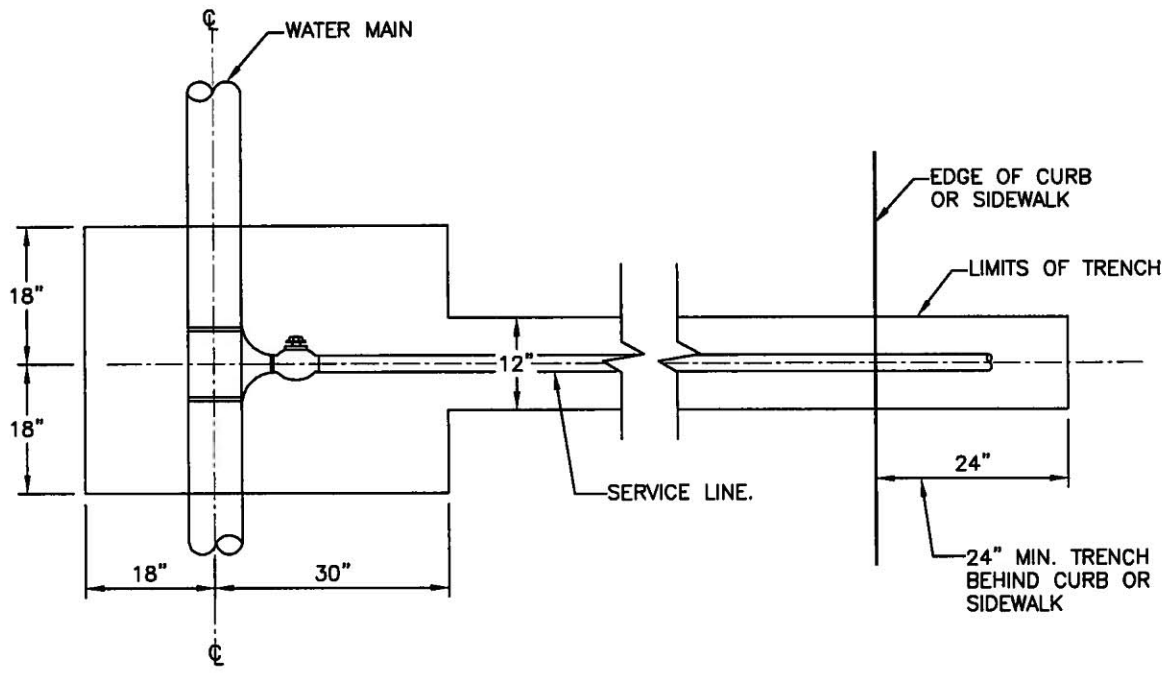
NOTE:
 COLOR SHALL BE DETERMINED BY THE DISTRICT.

NOT TO SCALE

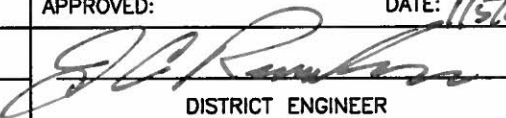
REVISED	PREPARED BY: PARSONS	DATE: 08/06	BEAUMONT CHERRY VALLEY WATER DISTRICT	
12/10	APPROVED:	DATE: 11/5/14		
 DISTRICT ENGINEER			2" COMBINATION AIR-VAC ASSEMBLY DETAIL	PLATE 5-1



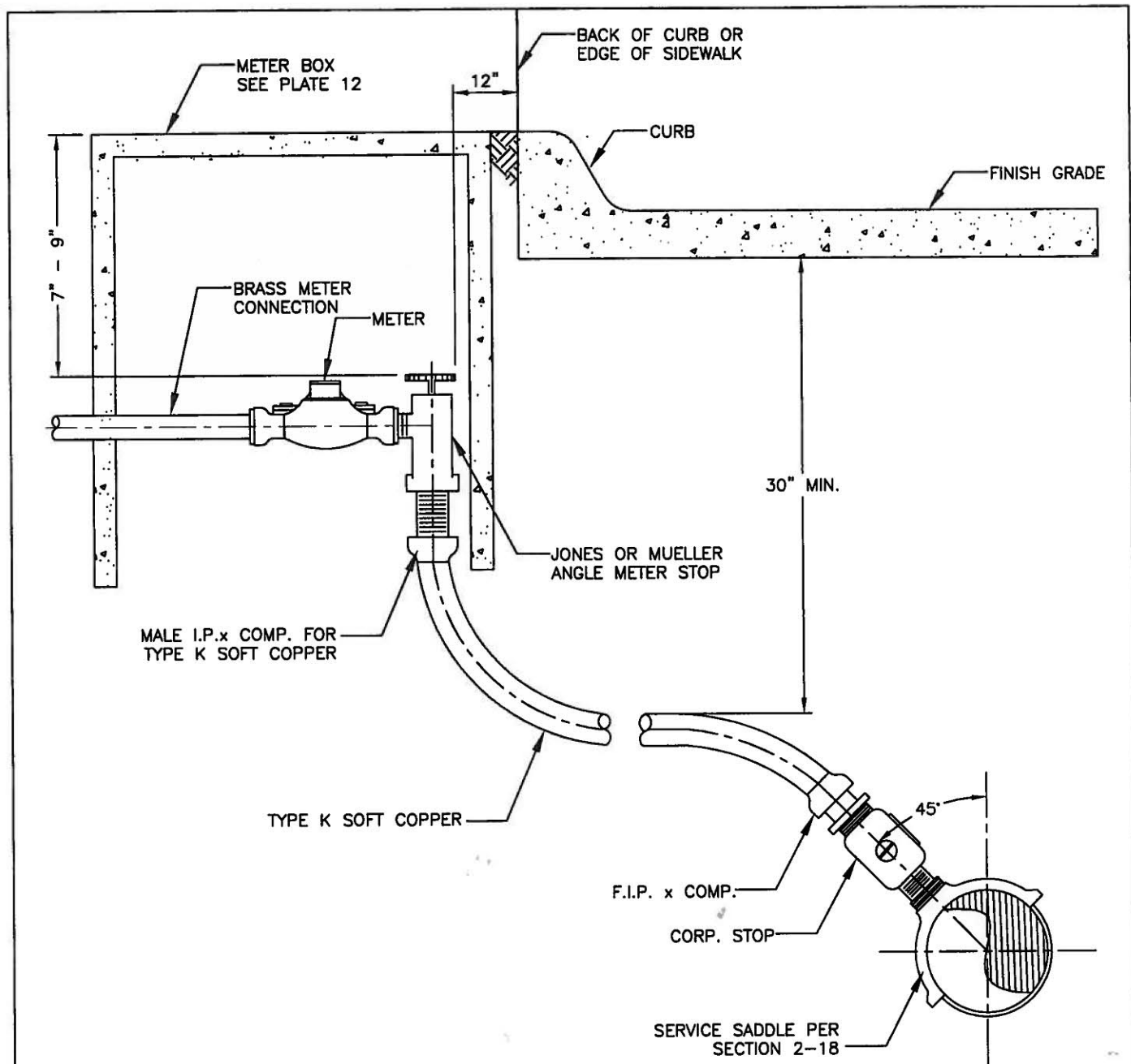
REVISED	PREPARED BY: PARSONS	DATE: 08/06	BEAUMONT CHERRY VALLEY WATER DISTRICT	
12/10	APPROVED:	DATE: 1/5/11		
			TRENCH DETAIL	PLATE 6-1
	DISTRICT ENGINEER			



NOT TO SCALE

REVISED	PREPARED BY: PARSONS	DATE: 08/06	BEAUMONT CHERRY VALLEY WATER DISTRICT	
12/10	APPROVED:	DATE: 11/5/11		
 DISTRICT ENGINEER			SERVICE TRENCH DETAIL	PLATE 6-2

FILE: X:\BCVWD_Projects\District_Projects\Standards\Plates



NOTES:

NO INTERMEDIATE COUPLINGS ARE ALLOWED BETWEEN CORPORATION STOP AND ANGLE METER STOP.

MINIMUM SPACING BETWEEN ANY 2 ADJACENT SADDLES ON THE MAIN LINE SHALL BE 18".

SERVICE LINE SHALL BE FREE OF KINKS AND COUPLINGS. ALL SERVICES WITH KINKS OR COUPLINGS SHALL BE REMOVED FROM CORPORATION STOP AT THE MAIN.

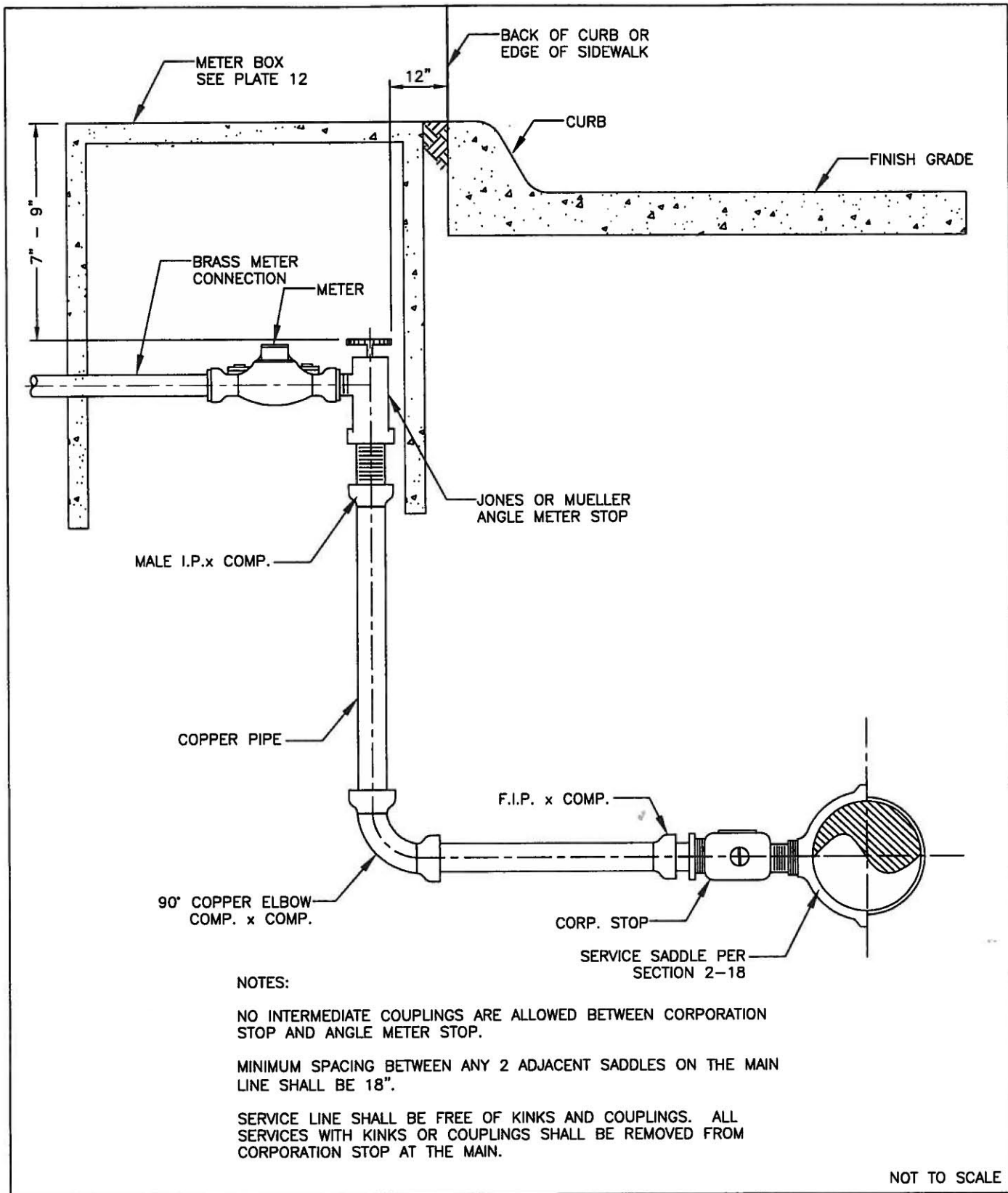
NOT TO SCALE

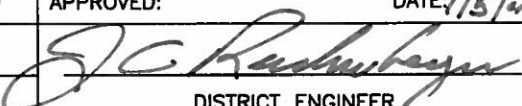
REVISED	PREPARED BY: PARSONS	DATE: 08/06
12/10	APPROVED:	DATE: 1/5/11
	<i>[Signature]</i>	
	DISTRICT ENGINEER	

BEAUMONT CHERRY VALLEY
WATER DISTRICT

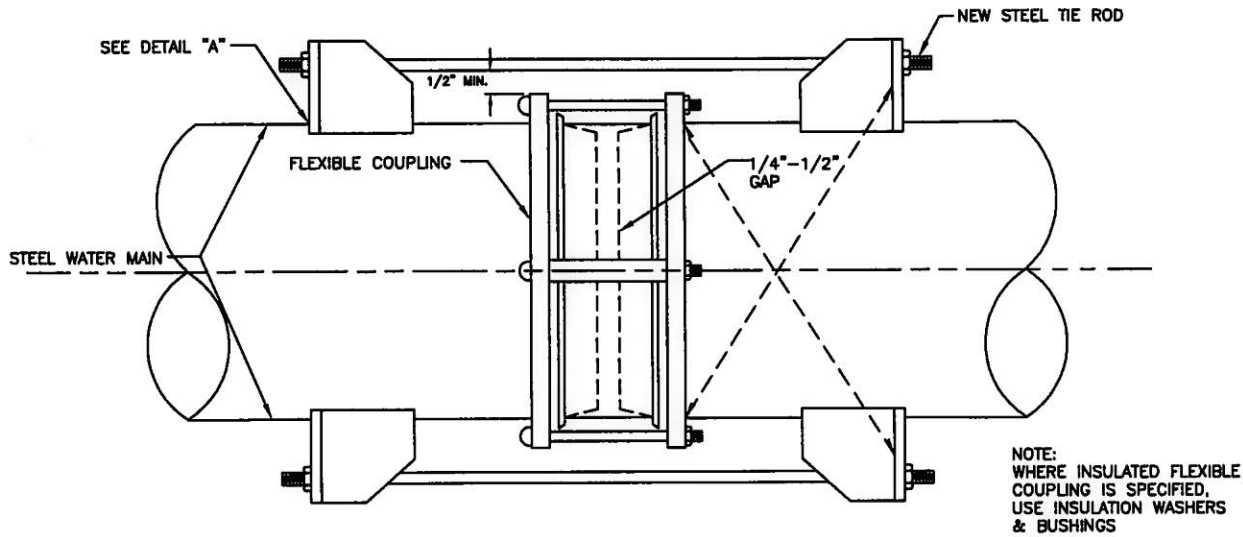
1" SERVICE LINE DETAIL

PLATE
6-3

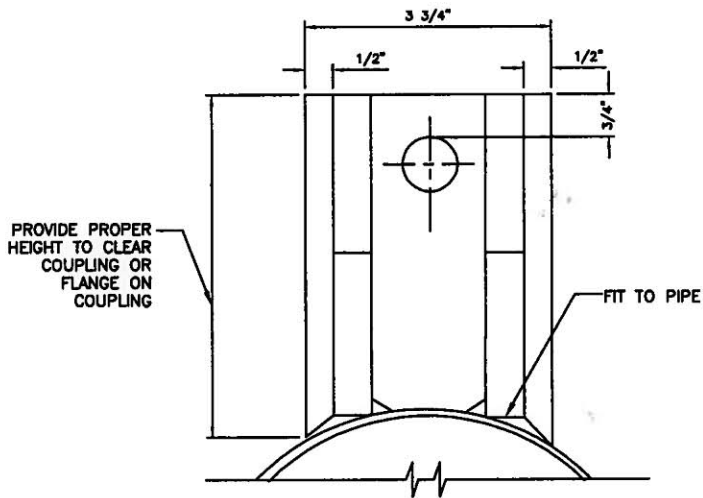


REVISED	PREPARED BY: PARSONS	DATE: 08/06
12/10	APPROVED:	DATE: 1/5/11
 DISTRICT ENGINEER		

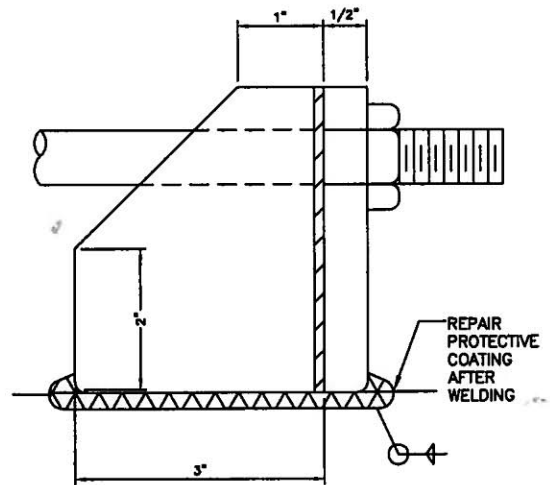
BEAUMONT CHERRY VALLEY WATER DISTRICT	
2" SERVICE LINE DETAIL	PLATE 6-4



PLAN VIEW

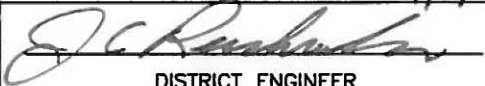


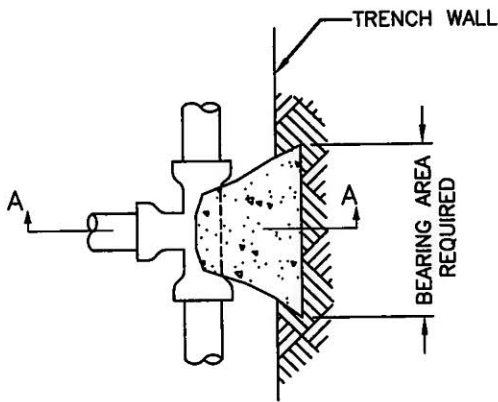
DETAIL "A"



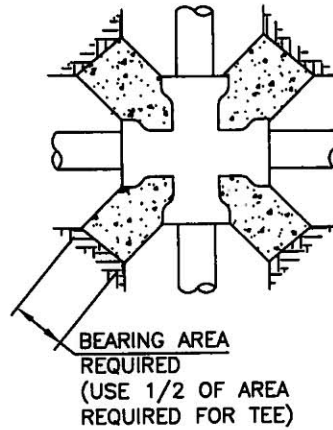
- NOTE:
1. INSTALL TIES ALONG THE HORIZONTAL AXIS OF PIPELINE.
 2. CONTRACTOR TO FURNISH COAL TAR ENAMEL AND PAINT ALL EXPOSED SURFACES.
 3. HARNESS LUG DESIGN SHALL BE PER AWWA M-11.

NOT TO SCALE

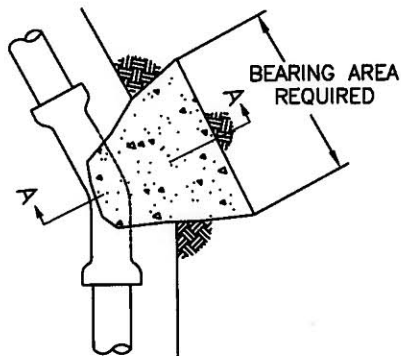
REVISED	PREPARED BY: PARSONS	DATE: 08/06	BEAUMONT CHERRY VALLEY WATER DISTRICT	
12/10	APPROVED:	DATE: 11/5/11		
	 DISTRICT ENGINEER		FLEXIBLE COUPLING TIE DETAILS	PLATE 9



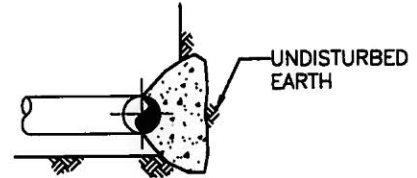
TEE



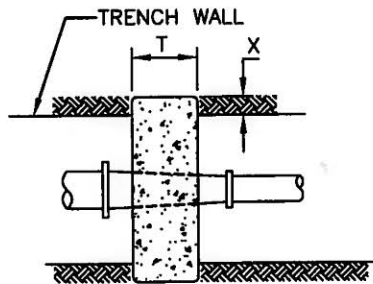
CROSS



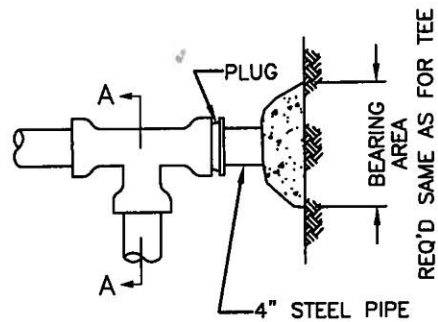
HORIZONTAL ELBOW



SECTION A



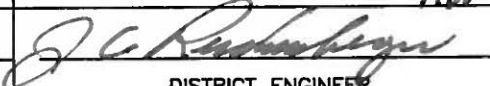
REDUCER



TEE WITH PLUG

NOTE:
FOR THRUST BLOCK SIZES SEE PLATE NO. 11-2.

NOT TO SCALE

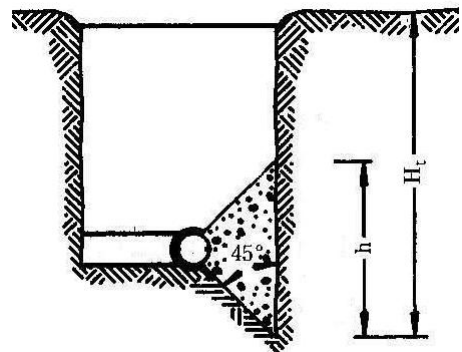
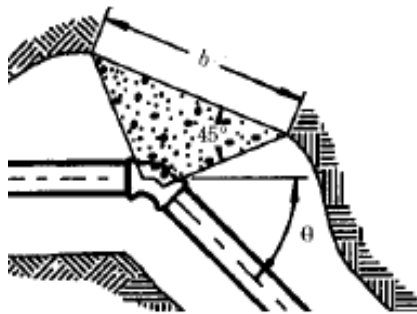
REVISED	PREPARED BY: PARSONS	DATE: 08/06	BEAUMONT CHERRY VALLEY WATER DISTRICT	
12/10	APPROVED:	DATE: 1/13/11		
 DISTRICT ENGINEER			THRUST BLOCK DETAILS	PLATE 11-1

**Beaumont Cherry Valley Water District
THRUST BLOCK SIZE FOR
HORIZONTAL PRESSURES
(BASED ON 2500 LB/SQ.FT. BEARING PRESSURE)**

PIPE DIA	PIPE CLASS	PRES psi	Area in Square Feet				
			Tee	90° Bend	45° Bend	22½° Bend	11¼° Bend
6	150	150	3.4	4.8	2.6	1.3	0.7
		225	5.0	7.1	3.9	2.0	1.0
8	150	150	5.8	8.2	4.4	2.3	1.1
		225	7.7	10.9	5.9	3.0	1.5
10	150	150	8.7	12.3	6.7	3.4	1.7
		225	13.1	18.5	10.0	5.1	2.6
12	150	150	12.3	17.4	9.4	4.8	2.4
		225	18.5	26.1	14.1	7.2	3.6
14	150	150	16.5	23.4	12.7	6.5	3.2
		225	24.8	35.1	19.0	9.7	4.9

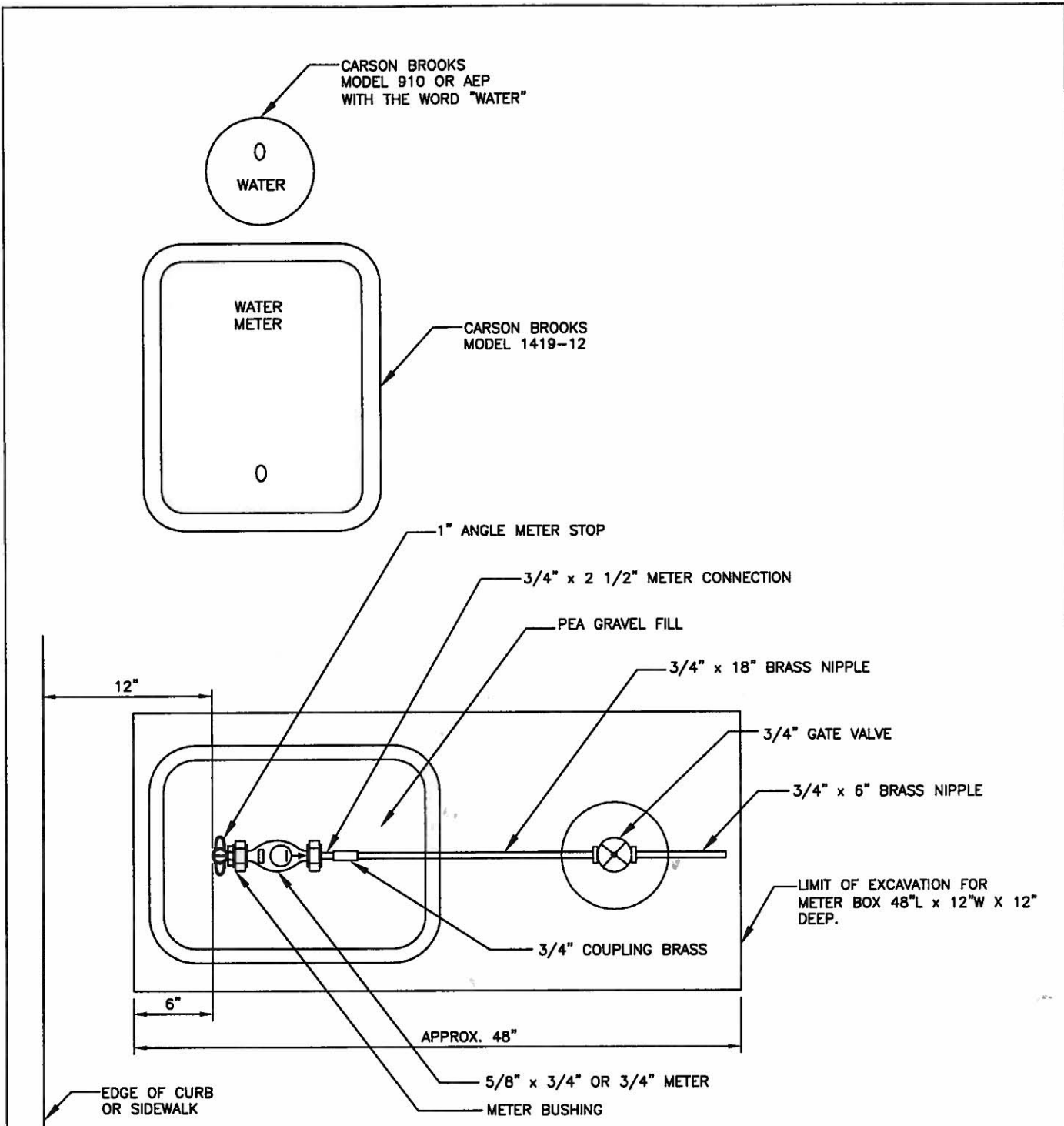
REDUCERS

Reducer Size	Pipe Class	Pressure (psi)	Dimensions		
			b	h	t
8 X 6	150	150	14"	2' - 2"	12"
		225	18"	2' - 6"	12"
10 X 8	150	150	16"	2' - 4"	12"
		225	20"	2' - 10"	12"
12 X 10	150	150	18"	2 - 6"	12"
		225	20"	3' - 4"	12"
14 X 12	150	150	18"	2 - 10"	12"
		225	22"	3' - 6"	12"



General criteria for bearing block design:

1. Bearing surface should, where possible, be placed against undisturbed soil. Where it is not possible, the fill between the bearing surface and undisturbed soil must be compacted to at least 90% Standard Proctor density.
2. Block height (h) should be equal to or less than one-half the total depth to the bottom of the block, (H_T), but not less than the pipe diameter (D).
3. Block height (h) should be chosen such that the calculated block width (b) varies between one and two times the height.
4. For bearing capacities less than 2500 LB/SQ.FT. a proportional increase in bearing area will be required. Provide supporting geotechnical report.



NOTE:
 5/8" x 3/4" & 3/4" METER INSTALLATIONS FOR THIS SIZE BOX ONLY.
 LARGER METERS 1" 1220-12, 1 1/2" & 2" 1730-12 BOXES.

NOT TO SCALE

REVISD	PREPARED BY: PARSONS	DATE: 08/06	BEAUMONT CHERRY VALLEY WATER DISTRICT	
12/10	APPROVED:	DATE: 1/5/11		
	<i>J.C. R...</i>		METER BOX INSTALLATION	PLATE 12
	DISTRICT ENGINEER			

BEAUMONT-CHERRY VALLEY WATER DISTRICT

2017 WATER PIPELINE REPLACEMENT PROJECT

PIPELINE 1 – P-3620-0015

APPENDIX C

PROJECT COST ESTIMATE SUMMARY

ITEM No.	ITEM OF WORK	ESTIMATED QUANTITY	UNIT	UNIT COST	TOTAL COST
1	Mobilization of construction equipment and posting of OSHA required notices, submittal of preliminary construction schedule, and complying with all applicable permits and notifications including CEQA and monitoring inspections (limited to 4.0 percent of the total contract price).	1	LS	\$ 22,000.00	\$ 22,000.00
2	Furnish and install 8-inch DIP, including, but not limited to, trenching, backfill, compaction, hydrostatic testing, tracer wire, fittings, warning tape, restrained joints, per plans and specifications. Complete in place.	2470	LF	\$ 90.00	\$ 222,300.00
3	Furnish and install 6-inch DIP, including, but not limited to, trenching, backfill, compaction, hydrostatic testing, tracer wire, fittings, warning tape, restrained joints, per plans and specifications. Complete in place.	0	LF	\$ 90.00	\$ -
4	Furnish and install 4-inch DIP, including, but not limited to, trenching, backfill, compaction, hydrostatic testing, tracer wire, fittings, warning tape, restrained joints, per plans and specifications. Complete in place.	0	LF	\$ 75.00	\$ -
5	Furnish and install ductile iron fittings (tee, elbow, slip-on flanges, dielectric kits, etc.) per plans and specifications. Complete in place.	23	EA	\$ 350.00	\$ 8,050.00
6	Furnish and install 8-inch gate valve, box, and cover per plans and specifications. Complete in place.	2	EA	\$ 3,400.00	\$ 6,800.00
7	Furnish and install 6-inch gate valve, box, and cover per plans and specifications. Complete in place.	1	EA	\$ 2,200.00	\$ 2,200.00
8	Furnish and install 4-inch gate valve, box, and cover per plans and specifications. Complete in place.	1	EA	\$ 2,000.00	\$ 2,000.00
9	Furnish and install wet barrel Fire Hydrant, including, but not limited to, trenching, hydrostatic testing, isolation valve, fittings, restrained joints, per plans and specifications. Complete in place.	5	EA	\$ 16,000.00	\$ 80,000.00
10	Furnish and install 2-inch Air/Vac per plans and specifications. Complete in place.	2	EA	\$ 5,300.00	\$ 10,600.00
11	Furnish and install 4-inch Blow-off assembly per plans and specifications. Complete in place.	0	EA	\$ 8,500.00	\$ -
12	Furnish and install 1" service connection with 1" copper line connection per plans and specifications. Complete in place.	20	EA	\$ 400.00	\$ 8,000.00
13	Furnish and install 1" copper service line per plans and specifications. Complete in place.	341	LF	\$ 50.00	\$ 17,100.00
14	Furnish and install 2" service connection with 2" copper line connection per plans and specifications. Complete in place.	0	EA	\$ 500.00	\$ -
15	Furnish and install 2" copper service line per plans and specifications. Complete in place.	0	LF	\$ 60.00	\$ -
16	Perform all required cleaning, disinfection, and testing of new or modified water line and system appurtenances. Complete in place.	1	LS	\$ 6,000.00	\$ 6,000.00
17	Furnish all material and labor required to perform system shut downs, provide water line connections and tie-ins to connect the proposed water line and disconnect the existing water line to be abandoned complete with thrust blocks, pipeline removal and disposal and other work per plans and specifications. Complete in place.	2	EA	\$ 10,000.00	\$ 20,000.00
18	Sawcut, remove and replace existing AC pavement and base per plans and specifications. Complete in place.	6788	SF	\$ 10.00	\$ 67,900.00
19	Furnish and install Bollards per plans and specifications. Complete in place.	14	EA	\$ 600.00	\$ 8,400.00
20	Furnish, Install, and operate bypass high-lines and maintain water service to all connections during construction per plans and specifications. Complete in place.	0	LS	\$ 8,000.00	\$ -
21	Traffic control (plan and setup) to be approved by the District and County of Riverside. Plan, submit, and execute required traffic control measures.	1	LS	\$ 25,000.00	\$ 25,000.00
22	Prepare plans and implement Erosion control (BMP). Complete in place.	1	LS	\$ 5,000.00	\$ 5,000.00
23	Prepare pre- and post-construction videos and photo surveys of the pipeline alignment, including, but not limited to, sidewalks, driveways, curb and gutter, walls, decorative paving and existing landscaping.	1	LS	\$ 1,500.00	\$ 1,500.00
				Subtotal	\$ 512,850.00
				Contingency (10%)	\$ 51,285.00
				Const. Allocation (Rounded)	\$ 565,000.00

The estimated construction cost presented herein is for budgetary purposes only. This estimate was prepared from information obtained from discussions with suppliers and contractors and from actual costs of past projects. No guarantee of its accuracy is expressed or implied. Easements and private agreement costs are excluded

BEAUMONT-CHERRY VALLEY WATER DISTRICT

2017 WATER PIPELINE REPLACEMENT PROJECT

PIPELINE 2 – P-3620-0015

GENERAL CONDITIONS

SECTION 01000
GENERAL REQUIREMENTS

1. Definitions

Whenever the terms herein defined occur in these Specifications or other related documents, they shall have the meanings here given.

- a. "District" or "Owner" shall mean the BEAUMONT-CHERRY VALLEY WATER DISTRICT 560 Magnolia Avenue, Beaumont, CA 92223, its Manager, and any other person or persons designated by the Owner to act on its behalf.
- b. "Manager" shall mean the person designated by the Board of Directors of the BEAUMONT-CHERRY VALLEY WATER DISTRICT to have charge, supervision, and administration of said Owner.
- c. "Contractor" shall mean the person, firm, or corporation responsible for the construction of facilities and improvements or any portions thereof to be integrated into Owner's facilities, either on behalf of the Owner or on behalf of a Developer.

Contractor shall at all times be represented on the Work in person or by a duly designated agent or superintendent. Contractor shall hold a valid Contractor's License in accordance with the provisions of Division 3, Chapter 9 of the Business and Professions Code of the State of California, and any amendments thereto.

- d. "Work" shall mean all Work to be performed by Contractor and shall be as specified by these Specifications and the Construction Drawings, Special Requirements, and Specific Directions for any particular project.

The Owner may at any time during Work, by written order, make such changes as found necessary in the character, quality, or quantity of the Work to be furnished.

- e. "Construction Drawings" shall mean those drawings approved by the Owner showing dimensions, details, features, and requirements of the Work. Said Construction Drawings shall be used in conjunction with Special Requirements or Specific Directions and shall be augmented by these Specifications and the Standard Drawings.
- f. "Special Requirements" shall mean those requirements describing Work not specified by Construction Drawings or Specific Directions, clarifying Work as shown by Construction Drawings or as described by Specific Directions, or supplementing or modifying these Specifications. Said requirements may be written or verbal.
- g. "Specific Directions" shall mean those instructions of the Owner supplementing or modifying the Construction Drawings, Special Requirements, and Specifications and shall include all Work not specified by Construction Drawings or Special Requirements. Said instructions may be written or verbal.
- h. "Specifications", also "Construction Specifications", shall mean the requirements contained herein and shall apply to all Work, where applicable, unless specified otherwise, in the Construction Drawings, Special Requirements, or Specific Directions. Said Specifications shall augment Construction Drawings, Special Requirements, or Specific Directions and shall pertain to all methods and materials of construction.
- i. "Standard Drawings" shall mean all drawings referenced as such and bound with the Specifications. Said Standard Drawings shall be considered an integral part of the Specifications.

- j. "Standard Specifications" shall mean the Standard Specifications for Public Works Construction, latest edition, as published by Building News, Inc, Los Angeles, California. The Standard Specifications shall augment, not supersede, the "Construction Specifications". As used herein, the Standard Specifications shall not apply to measurement, payment, schedule, delays, or extra work.

2. **Abbreviations**

Whenever used in these Specifications, the following abbreviations shall refer to the agency shown:

a.	AASHTO	American Association of State Highway and Transportation Officials
b.	ACI	American Concrete Institute
c.	AISC	American Institute of Steel Construction
d.	AISI	American Iron and Steel Institute
e.	ANSI	American National Standards Institute
f.	API	American Petroleum Institute
g.	ASTM	American Society for Testing Materials
h.	AWWA	American Water Works Association
i.	AWS	American Welding Society
j.	CRSI	Concrete Reinforcement and Steel Institute
k.	DIPRA	Ductile Iron Pipe Research Institute
l.	EIA	Electronic Industries Association
m.	IEEE	Institute of Electrical and Electronic Engineers
n.	IPCEA	Insulated Power Cable Engineers' Association
o.	NBFU	National Board of Fire Underwriters
p.	NEC	National Electrical Code
q.	NEMA	National Electrical Manufacturing Association
r.	REA	Rural Electrification Administration
s.	SSPC	Steel Structures Painting Council
t.	UL	Underwriters' Laboratories

All references to Specifications of any of the above agencies shall mean the latest editions thereof.

3. **Permits, Certificates, Laws, and Ordinances**

Unless specified otherwise, Contractor shall at no cost to the Owner obtain all necessary permits, certificates, and licenses from such Federal, State, and local agencies as required to perform the Work. Contractor shall comply with all laws, ordinances, or rules and regulations of said agencies in performance of the Work.

4. **Contractor's Liability**

Contractor shall be responsible, and the Owner shall not be answerable or accountable in any manner, for any loss or damage that may happen to the Work performed by Contractor, subcontractors, or those associated with or working under Contractor, or for any of materials or equipment used or employed in performing the Work, or for injury to any person or persons, including employees, the public, or others, or for damage to property from any cause which might have been prevented by Contractor, subcontractors, or those associated with or working under Contractor. Contractor having control over such Work must properly guard and does indemnify and hold the Owner harmless, and will defend the Owner therefrom at Contractor's own expense, against all injuries or damages to persons and property.

Contractor shall indemnify, defend, and hold the Owner harmless from any and all claims, demands, fines, and penalties imposed or levied by any Federal, State, or local agency associated with or related to the taking (as defined by the United States Fish and Wildlife Service and, or the California Department of Fish and Game) of any protected animal or plant species or habitat by Contractor, subcontractors, or those associated with or working under Contractor.

5. Interferences

Any and all crossings of public utility facilities such as water mains, sewer lines, gas lines, electrical or control cables and/or conduits, telephone and/or telegraph cables and/or conduits shall be made by Contractor in accordance with requirements and Specifications of appropriate agencies. Contractor shall obtain any necessary permits, licenses, and/or agreements required by said agencies.

Whenever facilities are encountered by Contractor, he shall ascertain the ownership thereof and shall make all necessary arrangements with the owners for the protection, removal, relocation, and/or replacement thereof. Contractor shall give the owners due notice of his requirements and shall give them convenient access and cooperate with them in every way while any work of removal and/or replacement is being performed.

6. Sanitation

All parts of the Work shall be maintained in a neat, clean, sanitary condition. A portable toilet, inaccessible to insects, shall be provided by the Contractor wherever needed for use by the Contractor's employees and said toilet's use shall be strictly enforced. All waste and refuse from sanitary facilities shall be disposed of by the Contractor. All waste and refuse from any source related to Contractor's operations shall be disposed of in a sanitary manner satisfactory to the Owner and in accordance with laws and regulations pertaining thereto. Contractor shall rigorously prohibit and prevent committing of nuisance within the Work area or upon the Owner's right-of-way or adjacent private property.

7. Accident Prevention and First Aid

Contractor shall provide a safe working environment for all persons working on or affected by the Work. Contractor shall take precautions for the protection of persons and property at all times during the course of the Work. Contractor shall exercise and observe the safety provisions of applicable laws and building and construction codes. Contractor shall maintain in good and safe operating condition all equipment and facilities required for proper execution and inspection of the Work.

Contractor shall guard machinery, equipment, and hazards in accordance with safety provisions of the Manual of Accident Prevention in Construction, published by the Associated General Contractors of America, the Construction Safety Orders and Trench Construction Safety Orders as issued by the Division of Industrial Safety of the Department of Industrial relations of the State of California, and Chapter 8 ("Traffic Control and Protection of Workmen") of the Manual of Instruction for the Maintenance Department of the State of California Department of Transportation, to the extent that such provisions are not inconsistent with applicable laws or regulations.

All warning signs, lights, barricades, and other measures designed to protect the traveling public shall be erected and maintained in good order by Contractor in accordance with applicable provisions of Chapter 21 ("Maintenance Signs, Barricades, and Traffic Control") of the Manual of Instruction for the Maintenance Department of the State of California Department of Transportation and of the applicable ordinances of the public agency having jurisdiction over the maintenance and policing of highways, thoroughfares, and streets. Special regard shall be given to the rights and convenience of the traveling public and the property owners and residents in the area of Work. Cross-over boards or steel plates approved by the Owner shall be placed and other precautions taken whenever necessary to provide for at least one-way traffic along all traveled streets and to provide access to driveways and residences, unless specified otherwise.

8. First Aid Facilities

Contractor shall keep first aid facilities and supplies on the jobsite. Contractor shall provide instruction in first aid as required by State regulations. Contractor shall provide emergency first aid treatment and supplies for his employees sufficient to comply with all applicable laws.

9. Heat Illness Prevention Plan

In hot environments, Contractor shall comply with the California Code of Regulations Title 8, Section 3396, Heat Illness Prevention and shall refer to BCVWD Heat Illness Prevention Program and implement proper procedures to protect Contractors employees and Sub-Contractor employees from over exposure.

10. Materials

The District will furnish all pipeline materials and appurtenances in order to meet the required time schedule,

Contractor shall provide imported select pipe zone backfill and Class II Base backfill material (above the pipe zone to the road bed sub grade for the pipeline replacement project.

If required by the Contract Documents, Contractor shall furnish only approved materials as listed in the Owner's "District Standards for furnishing of Materials and Construction of Water and Recycled Water Facilities and Preparation of Water System Plans". All materials to be furnished by Contractor shall be new and of the best quality for their intended use. All like materials shall be of one manufacture for any particular project.

If required, the Contractor shall submit 3 copies of all material lists to the Owner for approval thereof. Said material lists shall include manufacturer's name, designation, description, and related information of all materials to be furnished and installed or otherwise used by Contractor in the performance of the Work. Said material lists shall be submitted at or prior to project preconstruction meeting and said lists shall be approved by the Owner prior to beginning construction.

11. Construction

Contractor alone shall be responsible for the safety, efficiency, and adequacy of his plant, equipment, appliances, and methods and for any damage which may result from their failure or their improper construction, maintenance, or operation.

Contractor shall be responsible for examining all Construction Drawings, Specifications, Standard Drawings, Work site, delivery routes, and local conditions which may affect the Work.

Before proceeding with the Work, Contractor shall furnish the Owner any information required of him by the Construction Drawings, Specifications, Standard Drawings, Special Requirements, and Directions of the Owner.

Contractor shall keep at jobsite a complete set of Construction Drawings, Specifications, Standard Drawings, permits, certificates and licenses for the Work, and all other data required by the Owner. Contractor shall be responsible for checking all dimensions and quantities on said drawings or schedules and shall notify the Owner of any errors and omissions found.

Until acceptance of the Work by the Owner, Contractor shall bear the risk of injury or damage to any part of the Work by action of the elements or from any other cause and Contractor shall rebuild, repair, restore, and make good any injuries or damages to the Work.

Contractor shall cooperate with other contractors who are working in the project area on behalf of other public entities and the County of Riverside as the Owner may specify and he shall comply with all orders of

the Owner. Contractor shall employ only competent and skillful persons to perform the Work. Said persons shall be qualified or certified to perform the Work in accordance with requirements of said person's trade.

Contractor shall submit to the Owner for approval a construction schedule covering all Work based on normal work periods. Contractor shall not deviate from approved schedule without prior permission from the Owner. Whenever Contractor arranges to work at night or at any time other than normal work periods or to vary the period during which Work is to be carried on each day, he shall obtain special permission from the Owner to do so and he shall keep the Owner properly informed of his activities. Construction schedule shall show the order in which Contractor proposes to carry out Work, dates of anticipated commencement and completion of Work and salient components thereof, and estimated percentage of Work to be completed at any time during the construction period.

12. Records of Construction

Contractor shall maintain at least one complete set of Construction Drawings on the jobsite during the course of construction upon which he shall note any changes in the Work as they occur. Contractor shall maintain said Drawings so that the Owner may at any time during the course of construction ascertain the changes that have occurred. Said Construction Drawings shall be the basis of the two sets of record drawings that Contractor shall provide the Owner upon completion of the Work.

13. Inspection

All materials and equipment furnished and all Work performed shall be subject to rigid inspection by the Owner. Contractor may be required to remove and replace under proper inspection any Work performed in the absence of prescribed inspection, with the entire cost being borne by Contractor irrespective of whether such Work is found to be defective. Work covered up without authority of the Owner shall, upon order of the Owner, be uncovered to the extent required to permit inspection, repair, or replacement and thereafter be recovered, and Contractor shall bear entire cost.

14. Examination of Work

Contractor shall furnish the Owner every reasonable facility for ascertaining whether Work is being accomplished in accordance with the requirements and intention of the Construction Drawings, Specifications, Standard Drawings, Special Requirements, and Directions of the Owner.

15. Right to Occupy Work

The Owner may wish to occupy or place in service portions of the Work before its final completion and shall be at liberty to do so. Such occupancy or placing in service of any portion of the Work shall not relieve Contractor of his responsibility of protection and care of all Work until final completion and acceptance provided, however, that expense directly attributable to operation and placing portions of Work in service shall not be chargeable to Contractor.

16. Maintenance and Guarantee

Contractor shall guarantee that all Work performed by him meets all requirements specified as to character, quality, and quantity of materials and workmanship. Contractor shall replace all materials and pay all installation costs made necessary by defects of workmanship supplied by him that become evident within one year after acceptance of the facilities or the date of final payment, whichever occurs later.

Contractor shall replace all defective materials if said materials are related to defects in the Contractor's workmanship promptly upon receipt of written notice from the Owner. If Contractor fails to replace all defective materials promptly, the Owner may secure the service of others to perform the Work and Contractor shall be liable to the Owner for any costs including removal and replacement thereof.

17. Construction Power

Contractor shall provide all necessary power required for his operations, and shall provide and maintain in good order such modern power equipment and installation as shall be adequate, in the opinion of the Owner, to perform the required Work in a safe and satisfactory manner.

18. Construction Water

Unless specified otherwise, the Owner will provide construction water to Contractor from its existing system at established rates. Contractor shall furnish and install all necessary piping and appurtenances necessary to convey water from the Owner's metered service connection to place of use.

19. Welding

Welding shall be done by the electric arc method using a process which excludes the atmosphere from the molten metal, except where otherwise approved by the Owner. Welding electrodes used for manual welding shall be an approved type. Except as modified herein, welding process qualification and operator qualification shall comply with the applicable requirements of the "Code for Arc and Gas Welding in Building Construction" of the AWS.

Each weld shall be uniform in width and size throughout its entire length. Each layer shall be smooth, free from slag, cracks, pinholes, and undercut and shall be completely fused to adjacent weld beads and base metal. Cover pass shall be completely free of course ripples, irregular surfaces, non-uniform bead pattern, high crown, deep ridges, or valleys between beads, and shall blend smoothly and gradually into surface of base metal. Butt welds shall be slightly convex, of uniform height, and shall have full penetration. Fillet welds shall be of size indicated, with full throat, and with each leg of equal length. Repair, chipping, or grinding of welds shall not gouge, groove, or reduce base metal thickness.

20. Environmental Factors

Contractor shall take all reasonable precautions to protect the environment.

a. Air Pollution

Contractor shall use only machinery and equipment which is equipped with suitable air pollution control devices so that undue quantities of pollutants are not added to the atmosphere in the vicinity of the Work site. Contractor's equipment shall meet all Federal, State, and local requirements for air quality emissions and Contractor shall comply with all applicable Federal, State, and local air pollution control regulations.

Contractor shall also take all necessary precautions to control dust created by construction operations. Contractor shall be especially diligent in implementing his dust control program and he shall be prepared to respond immediately and positively to any instructions for corrective action given by the Owner. Contractor shall use dust palliatives if necessary to satisfactorily control dust; however, Contractor shall secure the Owner's approval for use of dust palliatives other than water.

b. Explosives

Contractor shall handle, transport, store, and use explosives in accordance with applicable Federal, State, and local laws and regulations. Contractor shall be responsible for and make good any damage caused by his use of explosives.

c. Fires

Contractor shall exercise all precautions necessary to prevent unauthorized fires within or adjacent to the limits of the Work. Contractor shall be responsible for all damage resulting from fire due directly or indirectly to his or his employees' activities or the activities of his subcontractors or their employees.

d. Drainage and Flooding

Contractor shall manage excavation and spoil banks such that existing drainage conditions are not impaired. Contractor shall provide drainage in all cases where the existing drainage conditions are being unavoidably altered or disturbed by his operations. Temporary diversions, ditches, checks, swales, or other drainage structures or features necessary to ensure proper drainage and flood control shall be provided by Contractor at no extra cost to the Owner.

e. Historical and Archaeological Sites

If Contractor should encounter any evidence of historical or archaeological significance, he shall immediately cease construction, notify the Owner, and refrain from any activity until the Owner orders Work to resume. The Owner will assume full responsibility for any delays caused by historical or archaeological investigations.

f. Noise Pollution

Contractor shall equip all machinery and equipment used for construction with noise control devices such as mufflers for internal combustion engines or other suitable noise suppressors. Noise produced by construction operations shall be kept to a minimum and shall be consistent with reasonable human health requirements considering time of day and location of Work site. Contractor shall comply with all applicable Federal, State, and local noise pollution control regulations.

Unless specified otherwise, noise levels in connection with the Work shall not exceed 75 dB(A) at a distance of one hundred (100) feet for relatively continuous exposure and they shall not exceed 90 dB(A) at that same distance for relatively infrequent intermittent exposure. Contractor shall be prepared to respond immediately and positively to any instructions for corrective action given by the Owner particularly with respect to complaints from the public.

g. Public Relations

Contractor shall give due consideration to the comfort and convenience of the public and he shall instruct his employees to be polite and respectful in their dealings with the public at the Work site and in traveling to and from the Work site.

h. Traffic

Contractor shall adequately protect the public using any roads which are involved in Contractor's operations and he shall maintain safe traffic flow in the vicinity of the Work. Contractor shall use signs, barricades, delineators, flashers, and flagmen, all in strict compliance with Federal, State, and local rules and regulations regarding traffic control. Public roadways shall not be barricaded or blockaded except in accordance with requirements of public agencies having jurisdiction over same. Contractor shall provide access to all walkways, sidewalks, driveways, and streets at all times. Contractor shall furnish and implement traffic control plan for the Work, and Contractor shall modify said traffic control plan (as approved by the City of Beaumont), if required to provide a safe work space.

i. Vegetation and Wildlife

Contractor shall not destroy or disturb any vegetation or habitat unless absolutely necessary for the performance of the Work. Contractor shall take all steps necessary to ensure that his employees do not destroy or disturb any vegetation or wildlife in the prosecution of the Work or incidental thereto, including travel to and from the Work site.

j. Water Pollution

Contractor shall discard materials which might adversely affect ground or surface water at approved dump sites only. Chemicals and other water pollutants shall not be discharged into natural watercourses or on land tributary to said watercourses. Contractor shall comply with all applicable Federal, State, and local water pollution control regulations.

k. Cleanup

Contractor shall keep the premises occupied by him in a neat, clean condition free from unsightly accumulation of rubbish. Contractor shall maintain all Work areas within or without the project limits free from dust which would cause a hazard to the Work, operations of other contractors, or other persons or property. Upon completion of the Work, Contractor shall at his own expense satisfactorily dispose of or remove from the vicinity of the Work all plants, building, rubbish, unused materials, concrete forms, and other equipment and materials belonging to him or used under his direction during construction and, if he fails to do so, the same may be removed and disposed of by the Owner at Contractor's expense.

BEAUMONT-CHERRY VALLEY WATER DISTRICT

2017 WATER PIPELINE REPLACEMENT PROJECT

PIPELINE 2 – P-3620-0015

SPECIAL REQUIREMENTS

**BEAUMONT-CHERRY VALLEY WATER DISTRICT
2017 WATER PIPELINE REPLACEMENT PROJECT
PIPELINE 2 – P-3620-0015**

SPECIAL REQUIREMENTS

These Special Requirements set forth requirements for work related to the replacement of Beaumont-Cherry Valley Water District water facilities (i.e. pipelines and appurtenances).

SR-01 Contract Documents, Specifications, and Drawings The Contractor shall recognize and acknowledge the condition that Bid Schedule I shall include all work activities necessary to install the new pipeline, water services, fire hydrants, and appurtenances identified on the Contract Plans (Construction drawings) and abandon existing pipelines, blow offs, and associated water services being replaced and that there will be no additional compensation from the Owner for the completion of said work.

SR-02 District Standard Specifications Work shall be completed in accordance with the Beaumont-Cherry Valley Water District “District Standards for the Furnishing of Materials and Construction of Water and Recycled Water Facilities and Preparation of Water System Plans.” Copies of said standards are available at the District website: www.bcvwd.org and specific referenced Standard Drawings are included at the back of this specification.

SR-03 Construction Drawings

The following Beaumont-Cherry Valley Water District Drawings are made a part of these Contract Documents:

Beaumont-Cherry Valley Water District Construction Drawings (24" x 36")

Titled:

WATER PIPELINE REPLACEMENT PROJECTS

PIPELINE 1: P-3620-0012 AVE ELTEJO BELLA, AVENIDA MIRAVILLA TO END OF CUL-DE-SAC

PIPELINE 2: P-3620-0015 APPLETREE LANE, B LINE TO OAK GLEN ROAD

PIPELINE 3: P-2750-0069 EGAN AVE, CALIFORNIA ALLEY FROM 5TH TO 7TH STREETS

<u>Title</u>	<u>Sheet No.</u>
Title Sheet * Vicinity Map	1 of 14
Index Maps * Sheet Index	2 of 14
General Notes * Quantities	3 of 14
Pipeline 2 Oak Glen Rd Sta. 30+00.00 to Sta. 37+29.48	8 of 14
Pipeline 2 Apple Tree Ln Sta. 40+00.00 to Sta. 48+00.00 Apple Tree Ln	9 of 14
Pipeline 2 Apple Tree Ln Sta. 48+00.00 to Sta. 57+40.29	10 of 14
Connection Details	12 of 14
Details	13 of 14
Casing Details	14 of 14

***Sheets 4 – 7, 11 omitted, work pertaining to Pipeline 1 and Pipeline 3 not a part of this Bid Package**

Beaumont-Cherry Valley Water District Standard Drawings (8-1/2" x 11")
(Bound at the Back of these Special Requirements)

<u>Title</u>	<u>Plate No.</u>
Water Sewer Separation Requirements	Plate D4-1, D4-2, D4-3, and D4-4
Standard Fire Hydrant	Plate 1
Gate Valve/Valve Can Installation	Plate 2
4-inch Blowoff Detail	Plate 3-1
2" Combination Air-Vac Assembly Detail	Plate 5-1
Trench Detail	Plate 6-1
Service Trench Detail	Plate 6-2
1" Service Line Detail	Plate 6-3
2" Service Line Detail	Plate 6-4
Flexible Coupling Tie Details	Plate 9
Thrust Block Details	Plate 11-1 to 11-2
Meter Box Installation	Plate 12

SR-04 Special Work Requirements At the end of every workday, the Contractor shall completely backfill and compact all open pipeline and water service trenches. No trench shall be left open after work hours without special approval of the District and the County of Riverside.

SR-05 Scope of Work Under these Specifications the Contractor shall furnish all labor and equipment to complete Construction of the 2017 Water Pipeline Replacement Project (Pipeline 2 – P-3620-0015) in accordance with the Contract Documents (plans and specifications). Work generally consists of installing District furnished materials and appurtenances necessary to construct new pipeline, new cut in tee assemblies, valves, and appurtenances (as shown on the Drawings), service saddles, corporation stops, and service lateral runs to existing water meter locations installed behind existing curb and gutter, and test and disinfect said pipeline and service installations. Work shall include installation of new District furnished water meters and connection of those meters to customer service lines (from the back of meter to each residence). Said pipeline points of connections and water meter locations are further described hereafter and as shown on the Construction Drawings.

A brief scope description of work to perform as shown on the contract drawings is as follows:

NOTE: Quantities provided below are approximate. Bidders are responsible to verify actual quantities from the detailed design drawings to accurately calculate quantity take-offs.

General Description of the 2017 Water Pipeline Replacement Project (Pipeline 1 – P-3620-0012) work activities:

- Install approximately **2,470 linear feet** of District furnished 8" ductile iron pipeline materials and appurtenances as shown on the Construction Drawings, install new cut in points of connection with temporary bulkheads and test risers, pressure and leak test and disinfect said new pipeline.
- Install District furnished 1" service saddle(s) and corporation stop(s) per BCVWD Standard Drawing 6-1 for new service lateral locations as shown on the Construction Drawings.
- Install District furnished, 1" water service lateral(s) and new angle meter stop(s) on new pipeline per Standard Drawings 6-1, 6-2 and 6-3 (excluding meter(s) initially). Upon completion and testing of new water main, abandon existing water main services and

disconnect existing service and angle meter stop from existing water meter and connect new service and new angle meter stop to new District furnished water meter. Said meters are located in behind curb and gutter, and/or in right of way.

- After the new water laterals are installed and service is restored to the water meter, abandon the existing service lateral(s).
- Relocate existing water service(s) if necessary, including all coordination of said relocation with BCVWD.
- Disinfect all potable water pipelines, appurtenances, and water service piping and appurtenances (per AWWA Standard).
- Provide Water District customer notifications (letters and door-hangers) detailing water pipeline installation and replacement water service installation.
- Some meter boxes and lids may be damaged and require replacement. Said items will be furnished by the District on an as needed basis and shall be replaced as needed in accordance with District Standards.
- Once new water line facilities are installed, Contractor shall abandon all existing water lines in place as indicated on the construction drawings and insert a 3 foot minimum concrete plug on the end of all open abandoned water pipelines and appurtenances such as existing blow off assemblies.
- Contractor shall coordinate all work and connection activities with District to ensure disruption of water service to each connection is minimized.

SR-06 Water Pipeline Installation and Water Service Connections The Contractor shall notify the District one (1) week in advance of the planned water pipeline and water service installation work and also provide forty-eight (48) hour and twenty-four (24) hour advance confirmation of when the work will be performed.

Contractor shall be responsible for dewatering, de-chlorination, and disposal of all water from all points of connection locations and all testing/flushing activities. Discharge of all water must abide by the District's NPDES permit which limits total residual chlorine to a maximum concentration of 0.1 mg/l.

Contractor shall also protect existing water pipelines and residential and commercial services from contamination during water service installation and connection procedures. Contractor shall disinfect all water pipelines, new water services and appurtenances, pipeline closure materials (tie-in materials) and the existing pipeline at connection points per AWWA Section C- 651. All costs associated with connections to existing water pipelines shall be included in the appropriate bid item.

Sequence of Disinfection for New Water Pipeline and Service Laterals, Facilities, and Appurtenances: The new pipeline and water service laterals, facilities, and appurtenances shall be disinfected only after all of the new water pipeline, fire hydrants, service lateral, and appurtenances are installed and pressure tested.

- **EXISTING WATER SERVICE LATERALS MUST BE KEPT IN SERVICE UNTIL NEW DOMESTIC WATER SERVICE LATERALS ARE INSTALLED AND CONNECTED TO THE EXISTING SERVICE.**

SR-07 Reference to District's Standard Drawings and Detailed Provisions Any and all referenced "District Standards for the Furnishing of Materials and Construction of Water and Recycled Water Facilities and Preparation of Water Plans" shall be considered part of the contract

drawings and specifications. All referenced Standard Drawings and Standards of the District are available from the District upon request or on the District's website at www.bcvwd.org. The Contractor shall not be entitled to any compensation due to referenced documents not included in the Specifications and Contract Drawings.

SR-08 Construction Soils Compaction Tests Upon Contractor's request, the District's consultant will provide soil/compaction testing for the project. However, any cost of re-compaction due to the Contractor's negligence will be at the Contractor's expense. A forty-eight (48) hour notice is required for soil services.

SR-09 Coordination It shall be the Contractor's responsibility to coordinate his activities with any other contractors performing work in the project area and to cooperate with all other contractors within reasonable and professional norms so that all construction may be completed in a timely manner. In the event a scheduling conflict arises between contractors performing work on the job site and if both parties are unable to reach an agreement, the County of Riverside and/or the District shall be the final authority in resolving said scheduling conflict. No additional compensation will be allowed due to conflicts with other construction in the area.

SR-10 Existing Underground Utilities and Potholing for Existing Utilities Unless otherwise indicated on the plans or directly by the utility owner, all utilities shall be protected in place and service maintained as part of the project work. The existing and proposed water pipeline alignments, water service lateral alignments and known utilities are plotted on the plan view of the plans. Contractor shall notify USA (Dig alert) of identified project area, and pothole all existing utilities and points of connection, and protect in place all points of connections, water service crossings and utilities affected by the proposed water pipeline and water service lateral installations.

The Contractor is responsible for performing exploratory excavations (potholing) along the alignment of the project to confirm location of existing utilities and to establish water service lateral installation requirements to existing pipelines and water meters. **The Contractor is hereby granted permission to use vacuum excavation on BCVWD facilities. Vacuum excavations may not be used on any other facilities unless written permission is obtained from the owner of the facility in accordance with State Law 4216.** The Contractor shall field survey the elevation and location of utilities, including tie-in points, and verify no conflict exists between existing utilities and new water service laterals. All associated costs with potholing shall be included in the unit bid price of water service laterals stated in the Bid Schedule and no additional compensation will be allowed.

SR-11 Provisions for Securing of Trenches and Continuous access All trenches within the street right-of-way must be backfilled at the end of each workday per typical County of Riverside Encroachment Permit requirements. The Contractor will be required to provide complete unobstructed access to each resident's driveway at the end of every workday. The Contractor will be required to provide complete unobstructed access for emergency vehicles at all times during construction.

The Contractor will be responsible for notifying the residents seventy-two (72) hours in advance that construction activities will occur in front of their residence and that their driveways may be blocked for short durations by these construction activities.

The cost of securing trenches and providing continuous access shall be included in the Contractor's bid and no additional compensation will be allowed.

SR-12 Preservation of Existing Improvements, Restoration of Work Site and Disposal of Spoil and Waste Materials

- A. Contractor shall perform his operations so that existing improvements (including roads and other paved surfaces adjacent to or in the vicinity of the work site) are not damaged. Contractor shall repair and restore any disturbed or damaged private or public improvements, which results from his operations (except that which is specifically a part of the Contract Work) to the satisfaction of the District, or the agency having jurisdiction over said improvements, all at the Contractor's expense.
- B. All work sites shall be restored to pre-job conditions and shall meet the requirements of the District and property owner.
- C. Contractor shall be responsible for the proper disposal of all waste materials resulting from his operations, including rubbish, packaging materials, discarded equipment parts, and damaged construction materials, in a manner and at locations suitable to the District and all health and other regulatory agencies.
- D. Contractor shall be responsible for the proper disposal of all excavated soils resulting from the placement of the proposed pipeline, service laterals, and appurtenances.

SR-13 Valve Cans After the street improvements have been completed, valve cans over the new and or existing valves shall be replaced as necessary (with District furnished materials) to match the new pavement section (where applicable) in accordance with the City of Beaumont's recently completed and/or new pavement rehabilitation projects.

SR-14 Owner Furnished, Contractor Installed Items The District will furnish all pipeline materials and appurtenances that require replacement to be installed by the Contractor.

The Contractor shall coordinate delivery of all materials and appurtenances with District staff and shall also request water meter boxes, lids, and meters a minimum of 48 hours prior to the time they are needed for installation and the District will deliver said items to the project site. The Contractor shall complete a Meter Change-Out Form provided by the District which identifies existing replaced meter information together with new meter and automatic read radio unit information (i.e. serial numbers, sizes, existing and new meter reads, etc.).

SR-15 Records of Construction Contractor shall keep and maintain, at the job site, one record set of Construction Drawings.

SR-16 Protection of Buried Metal Appurtenances All metal appurtenances including water service laterals shall be taped or polyethylene encased.

SR-17 Local Conditions The Contractor shall assess, by personal investigation, local conditions affecting the work. Neither the information contained in this section nor that derived from any maps or plats, or from the District or employees shall act to relieve the Contractor of any responsibility herein or from fulfilling any and all of the terms and requirements of this Contract. The Contractor shall protect existing curbs and gutters in place or remove and replace sections of said concrete curb and gutter (as necessary) to install the new water service lateral piping in accordance with City of Beaumont requirements.

Nuisance water, such as rainfall, irrigation water, or local surface runoff may occur within construction areas during the period of construction under this Contract. The Contractor, by submitting his bid, will be held responsible for having investigated the risks arising from such water and shall take all due measures to prevent delays in progress of the work caused by such waters. All costs associated with coordination of work with regards to local conditions, including nuisance water, shall be included in the bid and no additional compensation will be allowed.

The cost of this Work, including permits and retention of licensed subcontractors, shall be included in the appropriate bid item and no additional compensation will be allowed.

SR-18 Shutdown Requirements, Work Restrictions and Operations Coordination

Contractor shall coordinate the shutdown operation of existing systems with the District. No work shall be performed without 2 week prior notice followed by forty-eight (48) hour prior and twenty-four (24) hour confirmation notices to the District. No shutdown work shall be done without a District representative present.

SR-19 Utility Service Lines There may be existing individual utility services and service crossings such as water, sewer, gas, electric, telephone and cable TV. The Contractor shall pothole and locate all individual utility services prior to construction

SR-20 Customer Notification Door-Hanger Contractor shall place door-hanger notices for every Customer prior to construction. The door-hanger shall be double sided; one side for English language and the other side for Spanish language. The Contractor shall provide contact information for questions and a brief description of the water service lateral installation work and temporary breaks of service during said work activities.